

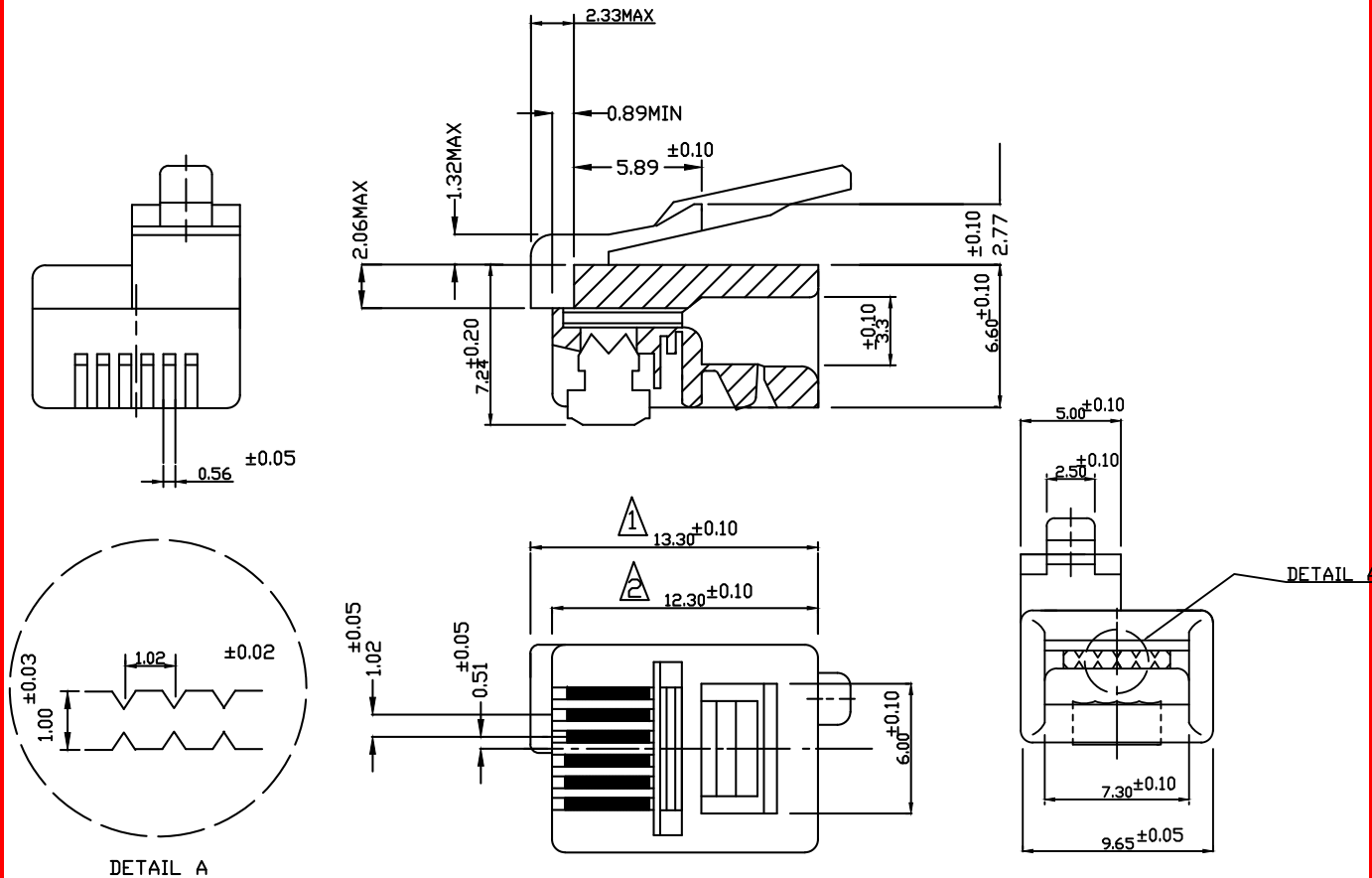


ENGLISH

# Datasheet

## RS PRO Male RJ11 Connector, Cat4

RS Stock number [331-6370](#)



### Specifications:

Housing:	Polycarbonated (PC)
Contact:	Phosphor Bronze
Dielectric withstanding:	500 volts ac
Insulation Resistance:	500Megohms



ENGLISH

# Datasheet

## RS PRO Male RJ11 Connector, Cat4

RS Stock number [331-6370](#)

### SPECIFICATIONS:

#### □ MATERIAL

HOUSING:POLYCARBONATE(PC),  
CONTACT:PHOSPHOR BRONZE  
FINE GOLD PLATED OVER NICKEL,

#### □ MECHANICAL

CABLE TO PLUG TENSILE STRENGTH:  
20IBS MINIMUM,  
DURABILITY:200 MATING CYCLES MIN,

#### □ ELECTRICAL

UL APPLICATIONS:250 VOLTS AC  
MAX,AT 2 AMPS,  
DIELECTRIC WITHSTANDING VOLTAGE:  
500 VOLTS AC,  
INSULATION RESISTANCE:500 MEGOHMS,  
TERMINATION RESISTANCE:35 MILLIOHMS  
MAX,AFTER ENVIRONMENTAL TESTING,

