

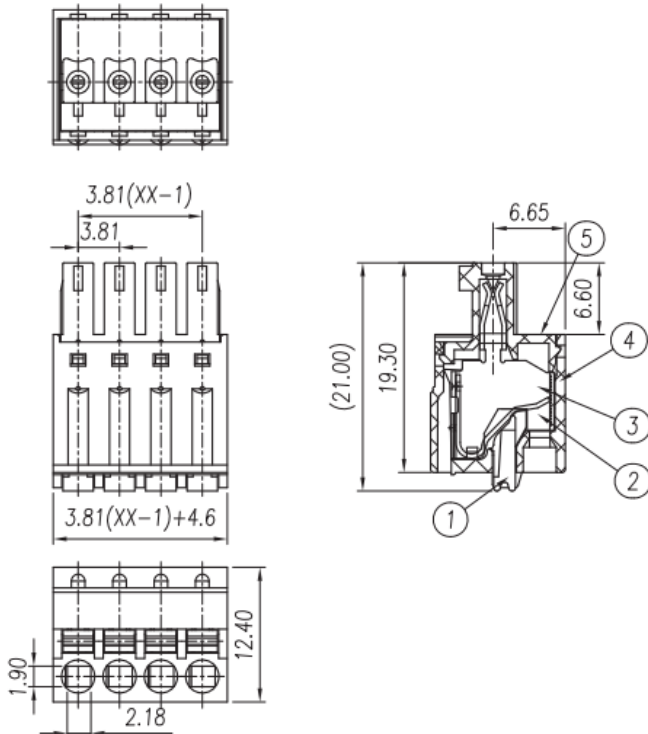
Datasheet

New 2.5mm Header Horizontal 4A 5 Way

RS Stock 874-5366



Dimensions: (mm)





Specifications

- Rated Voltage: 300V 8A
- Rated Current: 8A
- Pitch: 3.81mm
- Poles: 2~24p
- Contact Resistance: 20mΩ
- Insulation Resistance: 500ΩM or more at DC500V
- Wire Range: 28~16 AWG
- Withstanding Voltage: AC 2000V/1 min
- Strip Length: 7~8mm
- Temperature Range: -40°C ~ +105°C
- Torque: 0.4Nm (3.6Lb.in)
- RoHS Compliance

Materials

- Housing: PA66 / UL94V-0
- Clamp: Phosphor bronze, Tin Plated
- Wire Guard: Stainless Steel

Tolerances

	linear dimension					fillet	chamfer		∠	short angle sid			≡	—	□	//	⊥
	variable range	to 6	over 6 to 30	over 30 to 120	over 120 to 480		all	to 6		over 6 to 10	to 10	over 10 to 50					
tolerance	±0.1	±0.2	±0.3	±0.5	±0.9	±0.2	±0.5	±1	1'	30'	20'	10'	0.5	0.025	0.06	0.12	0.4