



EN

## Datasheet

# RS PRO NYLON-INSULATED CORD END TERMINALS (FERRULES)

Stock number: **2069704**

MAXIMUM ELECTRIC CURRENT:

A.W.G.	2/0
AMP.	265

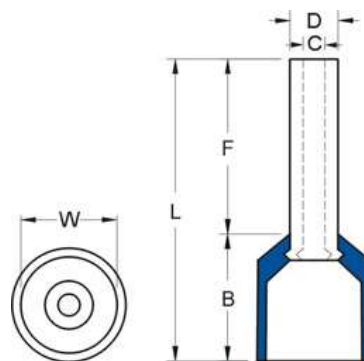
MAXIMUM ELECTRICAL RATING: 105°C 600 VOLTS MAX.

TERMINAL MATERIAL: COPPER TUBE

SURFACE TREATMENT: TIN PLATE

INSULATION MATERIAL: NYLON

INSULATION COLOR: YELLOW



WIRE RANGE A.W.G. mm <sup>2</sup>	DIMENSION inch(mm)					
	F	L	W	B	D	C
2/0	0.787	1.457	0.63	0.669	0.563	0.531
A.W.G.	20	37	16	17	14.300	13.5
70						
mm <sup>2</sup>						