

Part Number Search

Send

Piezo Buzzer

Piezo Indicator(Internal Circuitry Type)

Wire Type

KPEG270

PRINT

Hot Product



High SNR Microphone

∅10*4.5

[More info](#)



Array Microphone

24 x 8 x 2.8

[More info](#)

NEWS

- ▶ ? [electronica 2010 ?](#)
Hall B6, Booth
No.118 **NEW** ..[More info](#)
- ▶ ? [TAITRONICS](#)
2010? Taipei World
Trade Center
Nangang Exhibition
Hall,Booth
No.L1019/1021 **NEW**
..[More info](#)
- ▶ [KINGSTATE Ultra-Thin ESL Speaker and Danish AM3D Audio Software Demo Event Successfully Held On May 12, 2010](#) **NEW** ..[More info](#)

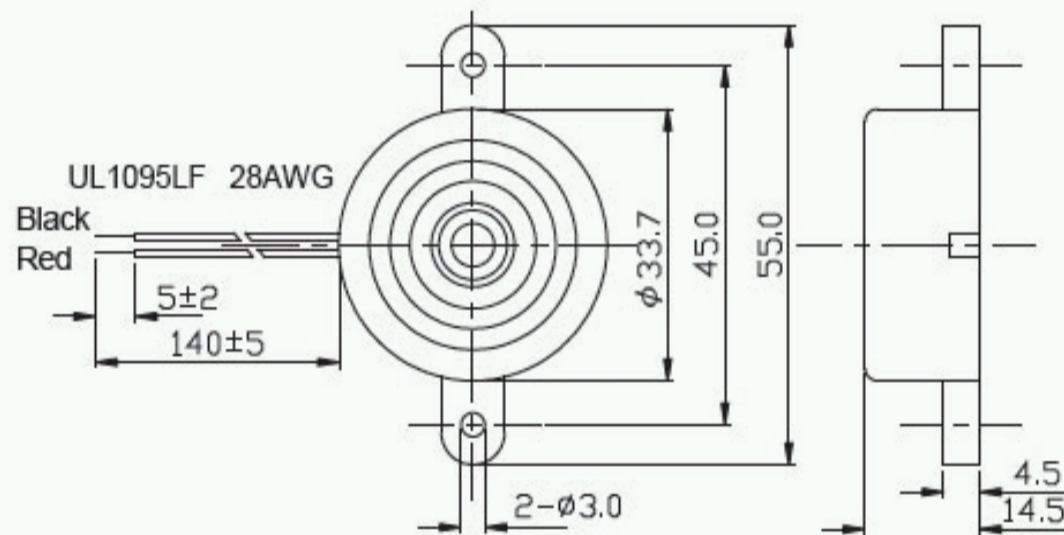
Shape

KPEG270



Rated Frequency (Hz)	3,500±500
Operating Voltage Range (V.D.C.)	3~28
Current Consumption (mA)	Max.5@12VDC
Sound Pressure Level (dB)	Min. 86dB@30cm / 12VDC
Tone	Continuous
Operating Temperature (?)	-30 ~ +85
Storage Temperature (?)	-40 ~ +95
Weight (Gram)	7.0
Material	ABS UL-94 1/16" HB High Heat(Black)

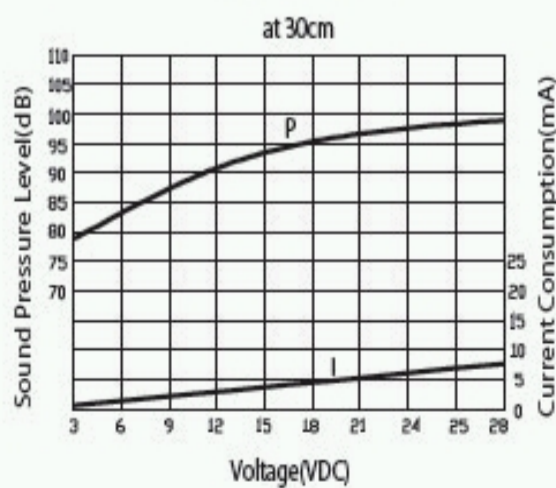
Dimension



Tol : ±0.5 Unit : mm

Characteristic / Schematic Diagram

KPEG270



Back

TOP