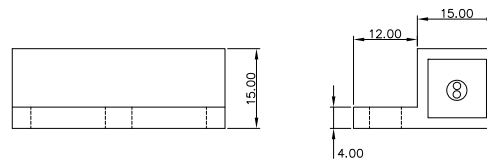
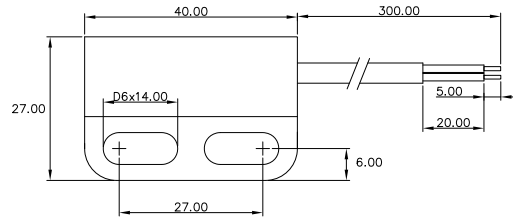


PICTURE

✓ RoHS Compliant

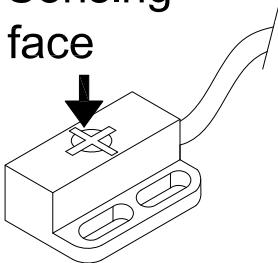


DIMENSIONS



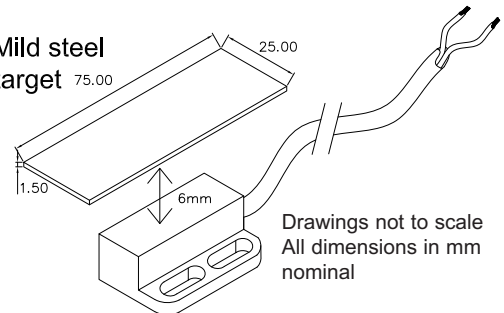
SENSING FACE

Sensing face



- Approximate sensing ranges
- 75x25x1.5mm Ground flat steel 6-9mm
 - 12x20x30mm Cast iron bar 9-10mm
 - 0.5x20x70mm Tool steel 7-10mm
 - 10x25x50mm Chrome vanadium 9-10mm
 - D6x50mm N35 Neodymium magnet 30-35mm

Mild steel target



Drawings not to scale
All dimensions in mm nominal

SPECIFICATION

| | | |
|-----------------------|--|--|
| Contact Form / Style | Normally Open, closes in presence of ferrous metal | |
| Activation distance | mm | 6 (may vary depending on iron content) |
| Switching Voltage | Max Volts AC/DC | 140 / 200 |
| Switching Current | Max Amps | 0.5 |
| Switching Power | Max Watts | 10 |
| Carry Current | Max Amps | 2.75 |
| Breakdown Voltage | Min Volts DC | 225 |
| Contact Resistance | Max mOhms | 100 |
| Operating Frequency | Max Hz | 100 |
| Operating Temperature | Celsius | - 40° to 85° |
| Case Material | ABS Plastic | |
| Cable | 2 x 0.14mm ² Grey PVC insulated, Brown/ White | |

Applications Include

- Gate closed detection.
- Robotics sensing.
- Automated production lines.
- Safety guards.

Options

- Top, side or base sensing direction.
- 105° G/F Nylon version available.
- Custom cable types, cable lengths, connectors or crimp terminals available.
- If you do not see what you need, just ask, as there is a strong possibility we can do it !

Did you know we also sell?



Rev. No.

Revision Note

Date

Signature

1

Datasheet

01-10-14

ML



ISO 9001:2008
Certificate No. FM21080

As part of the company policy of continued product improvement, specifications may change without notice. Our sales office will be pleased to help you with the latest information on this product range and the details of our full design and manufacturing service. All products are supplied to our standard conditions of sale unless otherwise agreed in writing.

Phone : +44 (0)1255 862236

www.comus-group.com

Fax: +44 (0)1255 862014