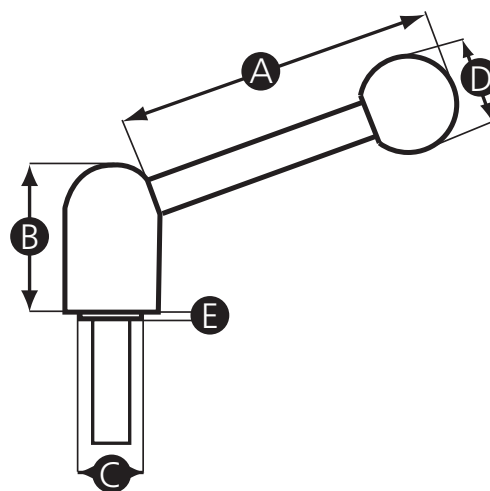


## DataSheet

### Male Adjustable Tension Lever



#### Material

Blackened steel handles with plastic knob

#### Standard Colour

Black

#### Thread Material

Mild steel

Part No.	A	B	C	D	E	Thread size	Thread length (mm)
237586	70	33.5	13.5	19	-	M8	25
237340	96	40	16	25	4	M10	40
237350	110	48.5	19	32	6	M12	50