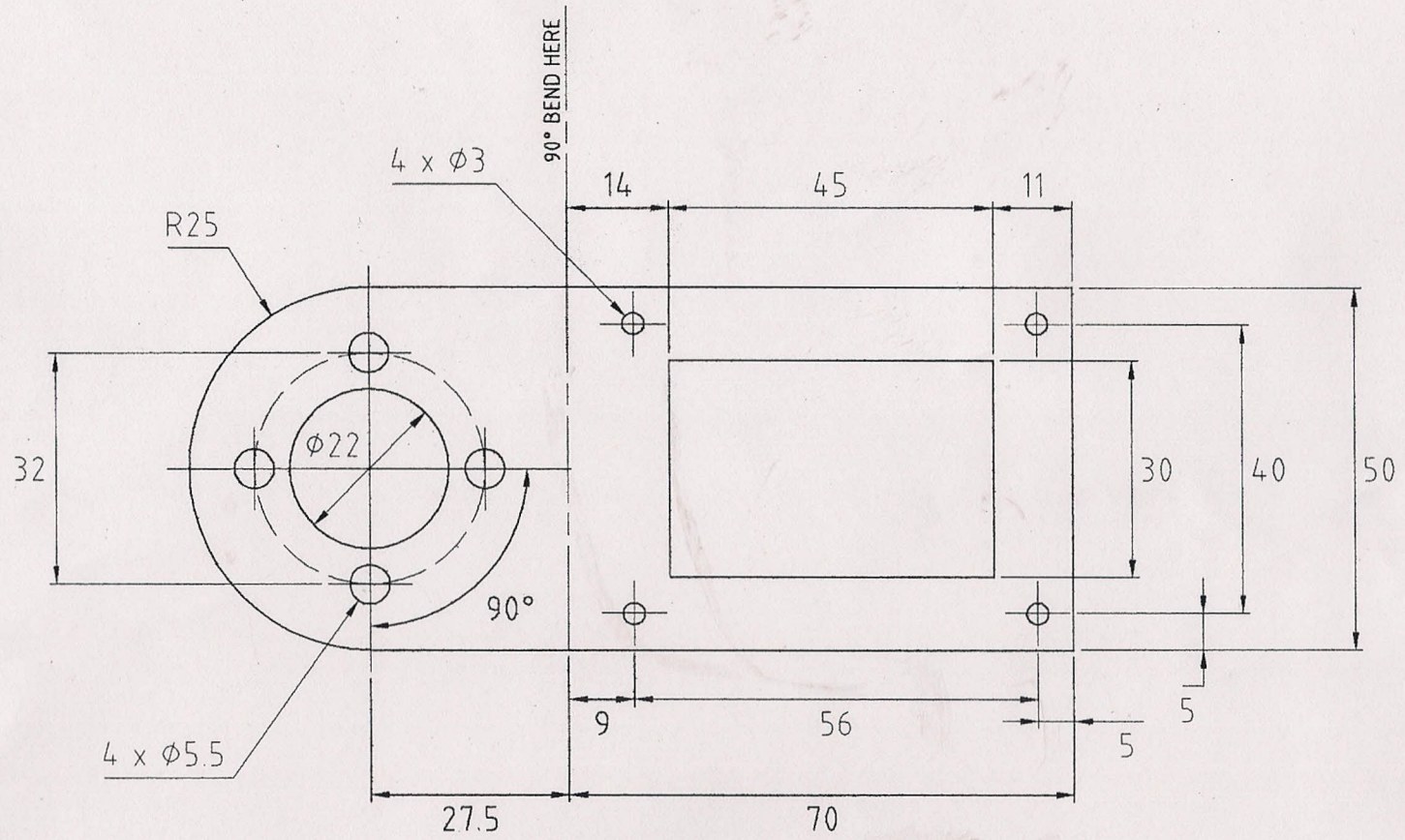


DRG.No.



ISSUE	DESCRIPTION	APPD	DATE
1	2mm or 14swg MILD STEEL, BRIGHT ZINC & COLOURLESS PASSIVATE (HEXAVALANT FREE)		
	TOLERANCES: ± 0.2 UNLESS SHOWN		

MFA/Como Drills
 Felderland Lane, Worth, Deal, Kent
 CT14 0BT
 Tel: 01304 612132
 Fax: 01304 614696
 E-mail: info@mfacom.com
 Web: www.mfacomodrills.com

TITLE
 TORPEDO 800/850/900
 MOTOR MOUNT

REVISION		DETAILS		BY	DATE
DRAWN	TRACED	CHECKED	APPROVED		DATE
IB					12/2/2010
DRAWING No. 189					