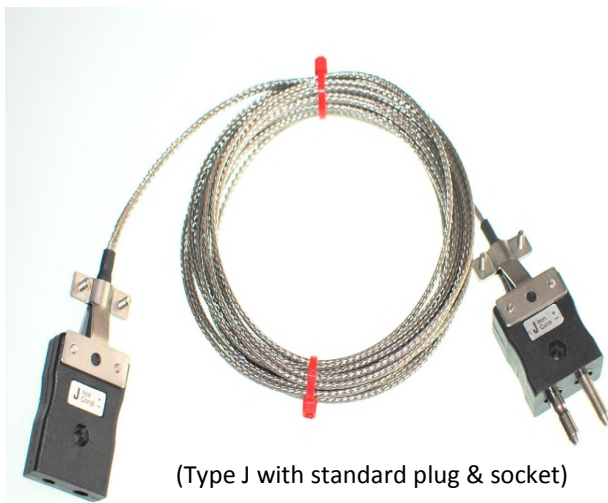


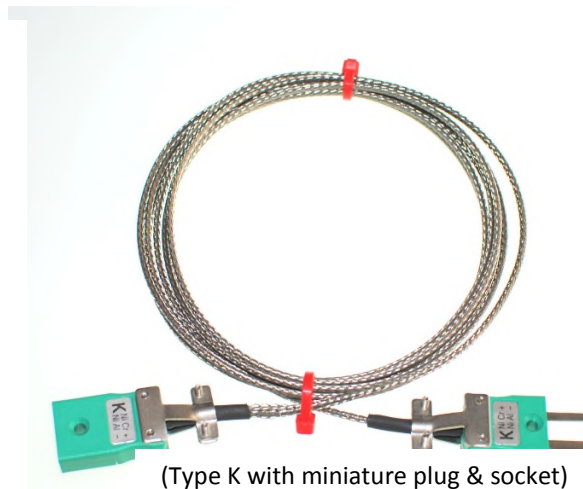
Datasheet

IEC Glassfibre Thermocouple Cable with Stainless Steel Overbraid Extension Leads with Miniature or Standard Thermocouple Plugs & Sockets

Fitted with cable clamps



(Type J with standard plug & socket)



(Type K with miniature plug & socket)

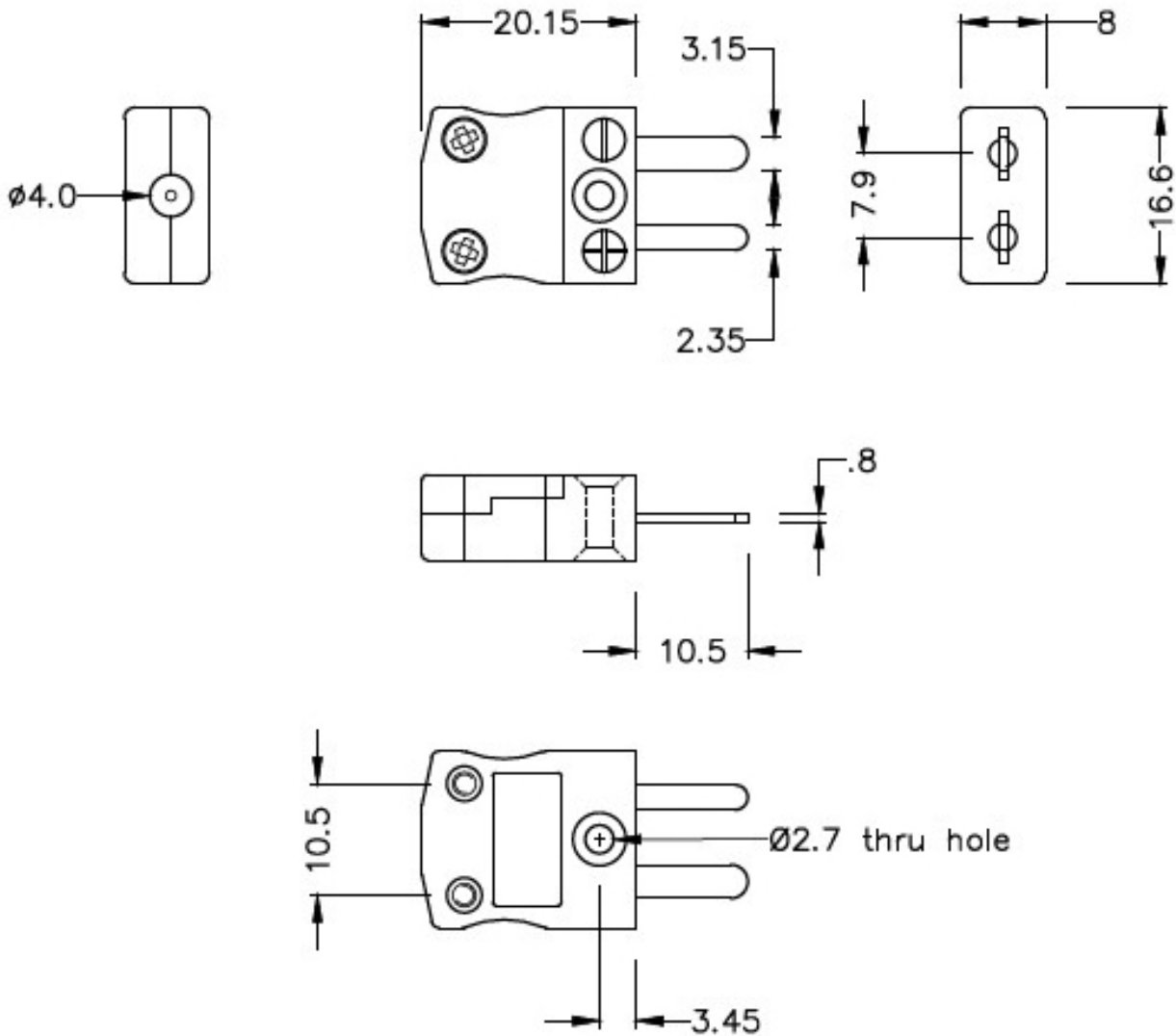
Cable Description

- Glassfibre insulated extension cable with stainless steel overbraiding
- Thermocouple types K or J in lengths 2 or 5 metre
- 7/0.2mm stranded conductors
- Glassfibre insulated flat pair construction, conductors laid flat, Glassfibre insulated with Glassfibre jacket, silicone varnished throughout + stainless steel overbraid for added protection and mechanical strength
- Good temperature resistance but not suitable where fluids are present
- Cable clamp fitted for securing cable to plugs
- Tolerance Class 2 to IEC-584
- Insulation rating -60°C to 350°C (short periods up to 400°C)
- Colour code (cores & jacket) to IEC-584-3

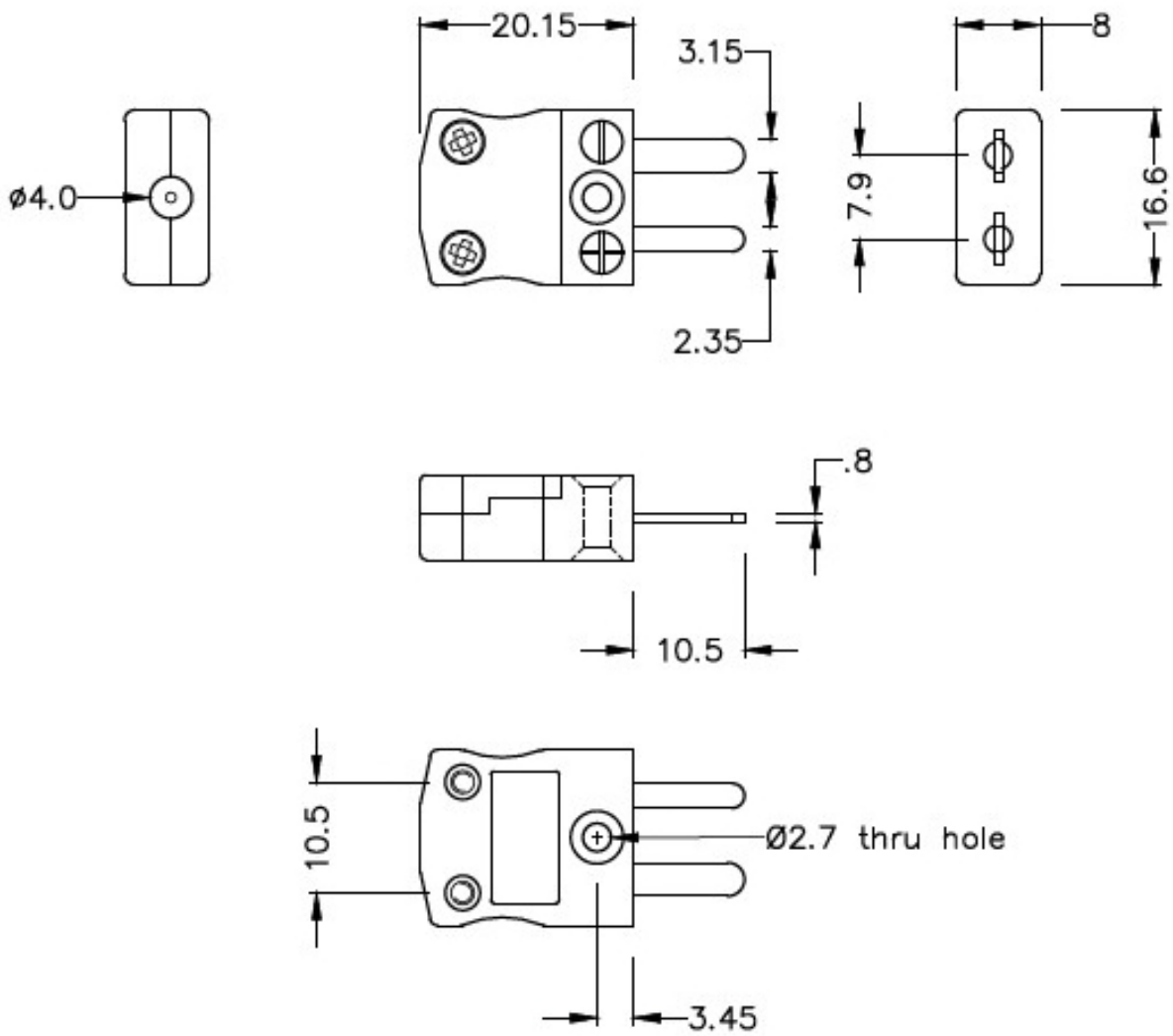
Connector Description

- All contacts are polarised to ensure correct connection
- Cable clamp available for securing cable to plugs
- Types K & J contacts are made from true Thermocouple alloys
- Colour coded in accordance with IEC specification
- Maximum continuous operating temperature 220°C

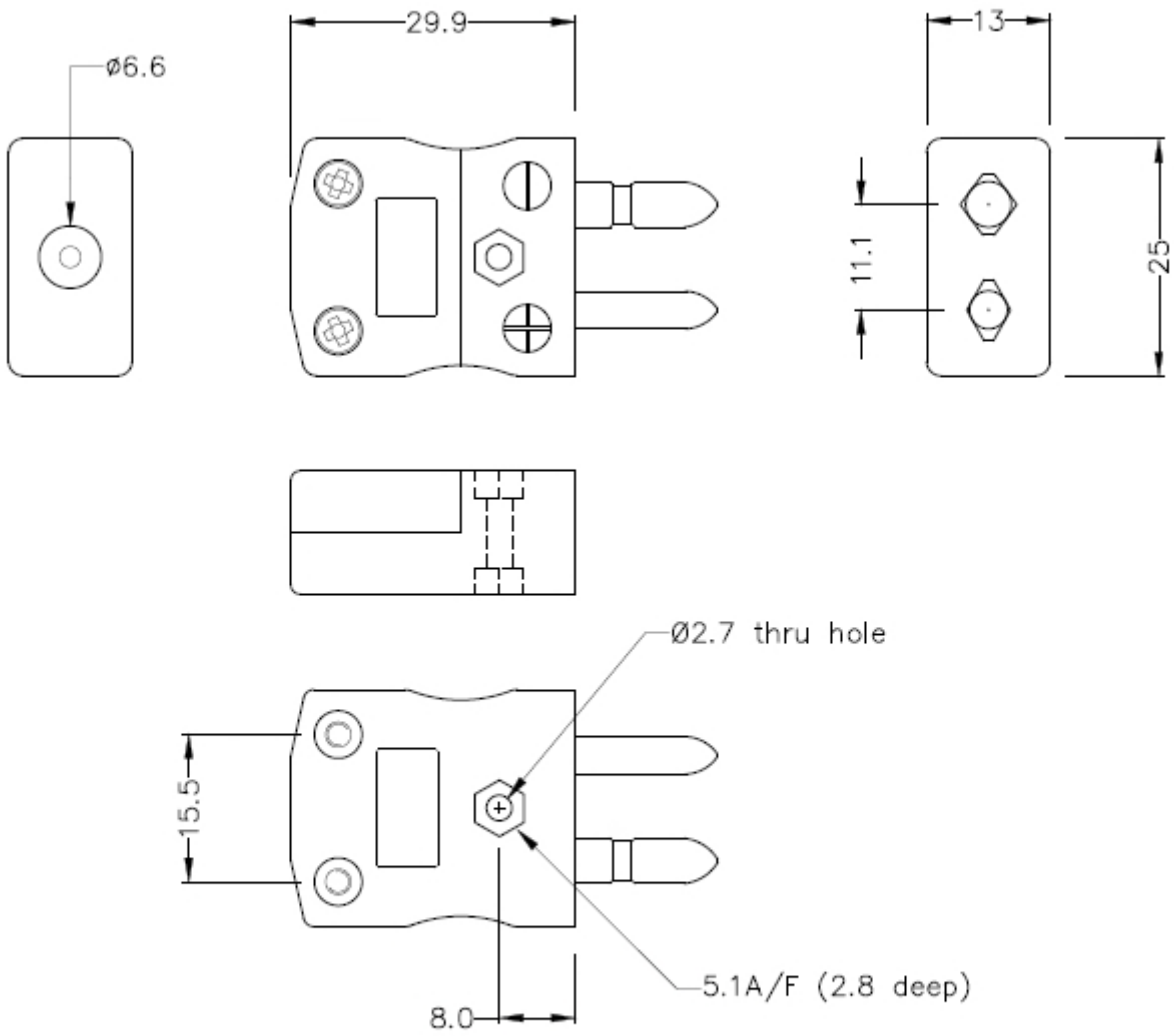
Type	Length	Connector Size	Description	Allied Code	RS Order Number
K	2	Miniature	EXT-K-C4-2.0-MP-MS	70652776	779-9678
K	5	Miniature	EXT-K-C4-5.0-MP-MS	70652774	779-9671
J	2	Miniature	EXT-J-C4-2.0-MP-MS	70652775	779-9675
J	5	Miniature	EXT-J-C4-5.0-MP-MS	70652778	779-9684
K	2	Standard	EXT-K-C4-2.0-SP-SS	70652779	779-9687
K	5	Standard	EXT-K-C4-5.0-SP-SS	70652777	779-9681
J	2	Standard	EXT-J-C4-2.0-SP-SS	70652780	779-9690
J	5	Standard	EXT-J-C4-5.0-SP-SS	70652781	779-9693



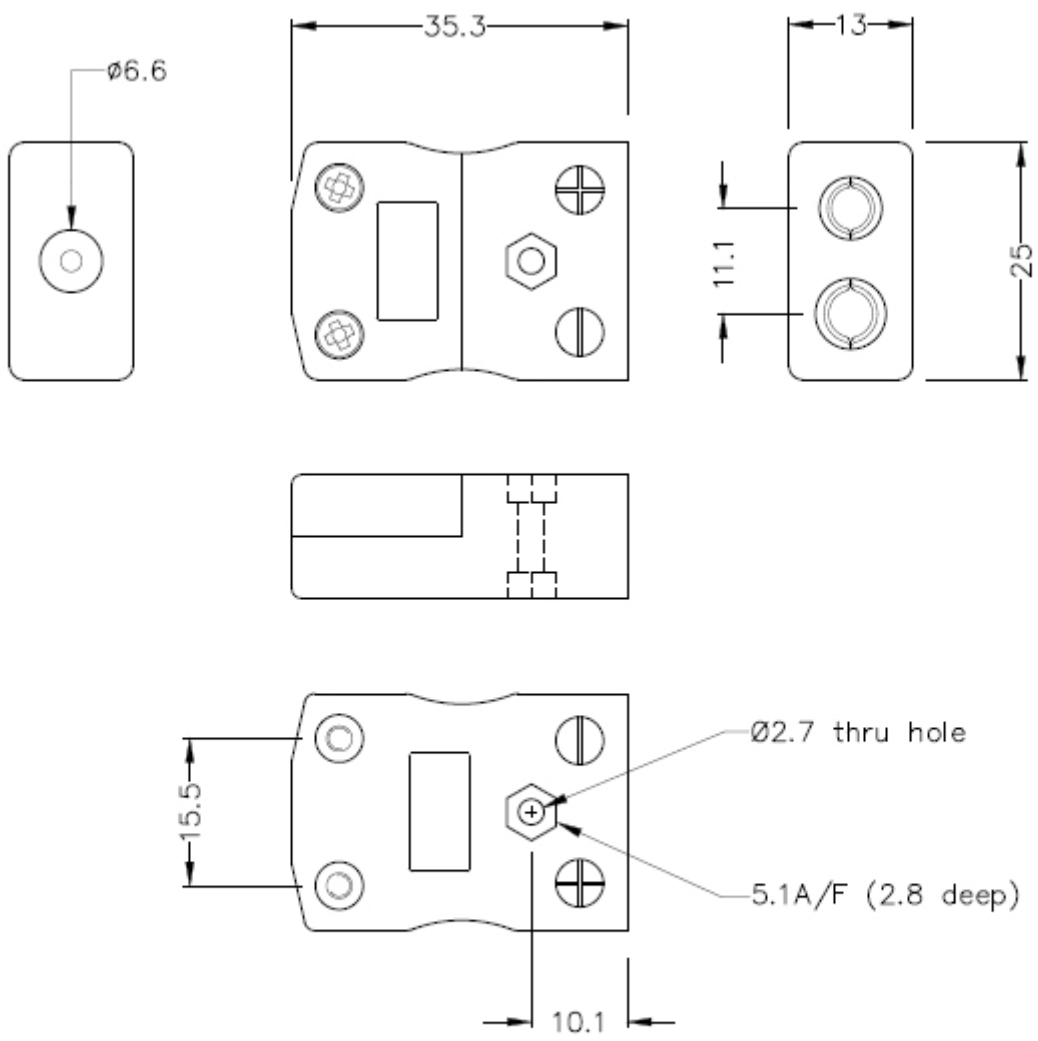
Miniature in-line Plug
(dimensions in mm)



Miniature in-line Plug
(dimensions in mm)



Standard in-line Plug
(dimensions in mm)



Standard in-line Socket
(dimensions in mm)

