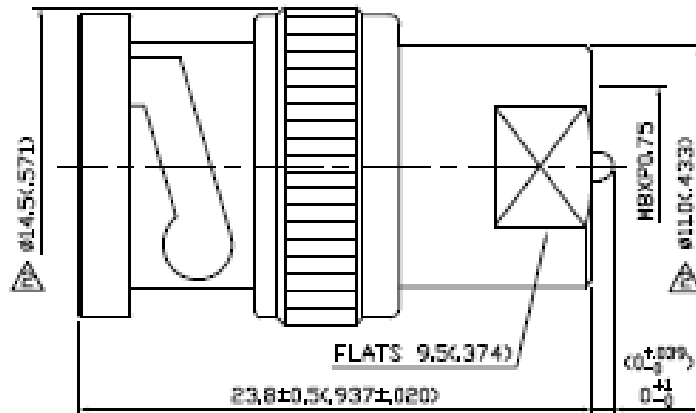


NO	DESCRIPTION	DATE
⚠	REDUCE SPRING FROM 2 PCS TO 1 PC	06.06.97
⚠	DEL REF. BACKGROUND FORMAT UPDATED	07.20.09
⚠	MODIFICATION CENTER CONTACT Ⓢ	01.12.10
⚠	ADD RADIAL TORQUE OF CENTER CONTACT	05.06.11



1.0 ELECTRICAL

- 1.1 FREQUENCY RANGE: DC-800 MHz
 1.2 NOMINAL IMPEDANCE: 50 OHM

2.0 MATERIALS

- 2.1 HOUSING: BRASS PER JIS-C3604
 2.2 CENTER CONTACT: BRASS PER JIS-C3604
 2.3 INSULATOR: TEFLON PER ASTM D1497 AND ASTM D1710

3.0 FINISHES AND OTHERS

- 3.1 SEE DRAWING TABLE FOR DETAILS
 3.2 RADIAL TORQUE OF CENTER CONTACT: NO APPLICABLE ⚠

4.0 ENVIRONMENTAL

- 4.1 OPERATING TEMPERATURE RANGE: -20° C TO +80° C

QTY	DESCRIPTION	MATERIAL	QTY	FINISH
1	CENTER CONTACT	BRASS	1	GOLD
1	BODY	BRASS	1	NICKEL 100 μ" MIN.
1	INSULATION II	TEFLON	1	NONE
1	WASHER	BRASS	1	NICKEL
1	SPRING	SK-5	1	NICKEL
1	WASHER	BRASS	1	NICKEL
1	GASKET	RUBBER	1	RED
1	INSULATION I	TEFLON	1	NONE
1	SHELL	BRASS	1	NICKEL 100 μ" MIN.
NO	DESCRIPTION	MATERIAL	QTY	FINISH

APPROVED

by _____ DATE: _____



DESCRIPTION		FME PLUG - BNC PLUG		品名		23-11 T.G.N		DATE		REV.	
制	Yoko	TOLERANCE	.X ±0.2	TITLE	\ROHS COMPLIANT (300)	日期	04.27.93	版次	A-4		
檢	Jacky	.XX ±0.1	單位	mm(In)	DWG.No. 23-0043						
評	Jenny	.XXX ±0.05	比例	SCALE							
定		ANGLE ±5'		4:1							