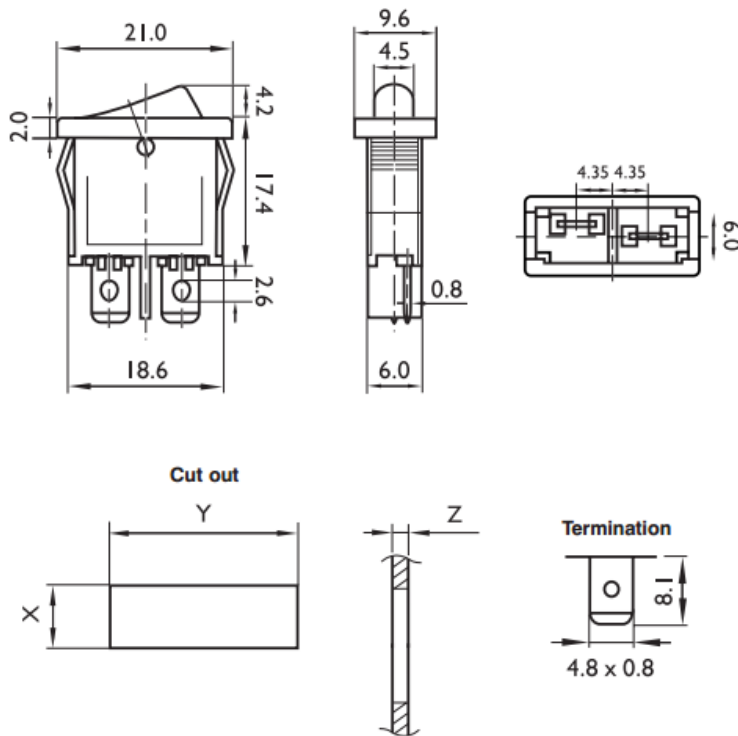


# Datasheet

## Slimline Rocker Switch

RS Stock number [793-2547](#)

### Drawing (mm):



### Specifications:

Rating:	6(2)A/250VAC T125/55 1E4 10A/125VAC		
Colour:	Black body/01 engraving		
Switch action:	Single pole/on-off		
Max. contact resistance at DC 0.2V 1A:	30mΩ		
Min. insulation resistance:	500VDC 100mΩ		
Withstand voltage:	AC1500V at 1min		
Electrical life:	More than 10,000 cycles		
Operation force:	300~600g		
Operating temperature:	-85°C		
Cut out:	Z	Y	X
(diagram above)	0.75-1.25	19.2	6.8
	1.25-2.0	19.4	6.8
	2.0-3.0	19.6	6.8



ENGLISH

### Features:

- ROHS Compliant
- Housing Material: Nylon #66 UL94V-2
- Rocker Material: UL 94V-2 #66
- Terminal Material: Copper alloy SN or AG plated
- Contact Material: Ag-Cd-0(12) alloy plated