

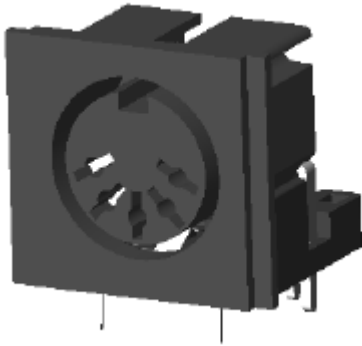


ENGLISH

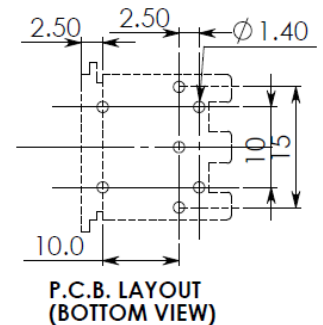
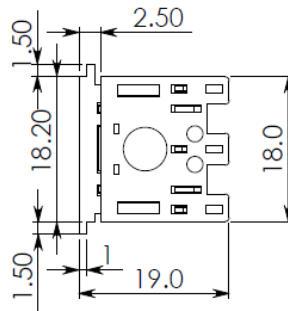
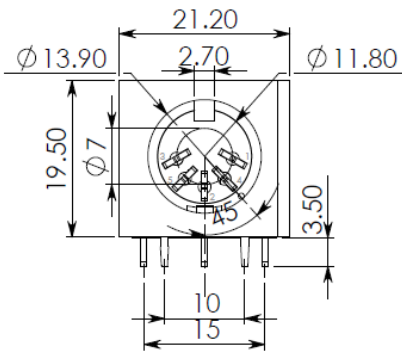
# Datasheet

## 5 Pole Female Right Angle DIN Connector

RS Stock number [491-087](#)



### Drawing (mm):



### Specifications:

**Insulation Resistance :**  
100M $\Omega$  min. at 500V DC

**Dielectric Strength :**  
1,000V AC/1 minute

**Contact Resistance :**  
20m $\Omega$  Max.

**Rating :**  
2A 100V AC