

FEATURES

- EMC shielding to protect the cable
- Nickel plated brass body with neoprene seal
- Operates over an expansive operating temperature
- IP68 rated meaning they are ideal in harsh environments and are resistant to moisture, fluid, dirt and dust
- Cable gland is supplied with an accessory locknut ensuring the cable gland is secure
- Easy to install

RS PRO PG36 Brass Cable Gland With Locknut

RS Stock No.: 835-4100



RS Professionally Approved Products bring to you professional quality parts across all product categories. Our product range has been tested by engineers and provides a comparable quality to the leading brands without paying a premium price.

-

- **These RS PRO EMC cable glands are used throughout a number of industries, in relation to cable and wiring, particularly in instrumentation and control, automated systems, lighting, data and telecommunications environments.**
- **EMC stands for Electromagnetic compatibility and these cable glands provide electromagnetic shielding to protect the cable and equipment at the point of attachment.**
- **These glands also ensure the cables are not pulled out or twisted making the connection between the cable and the machine more secure and to ensure continued performance.**

-

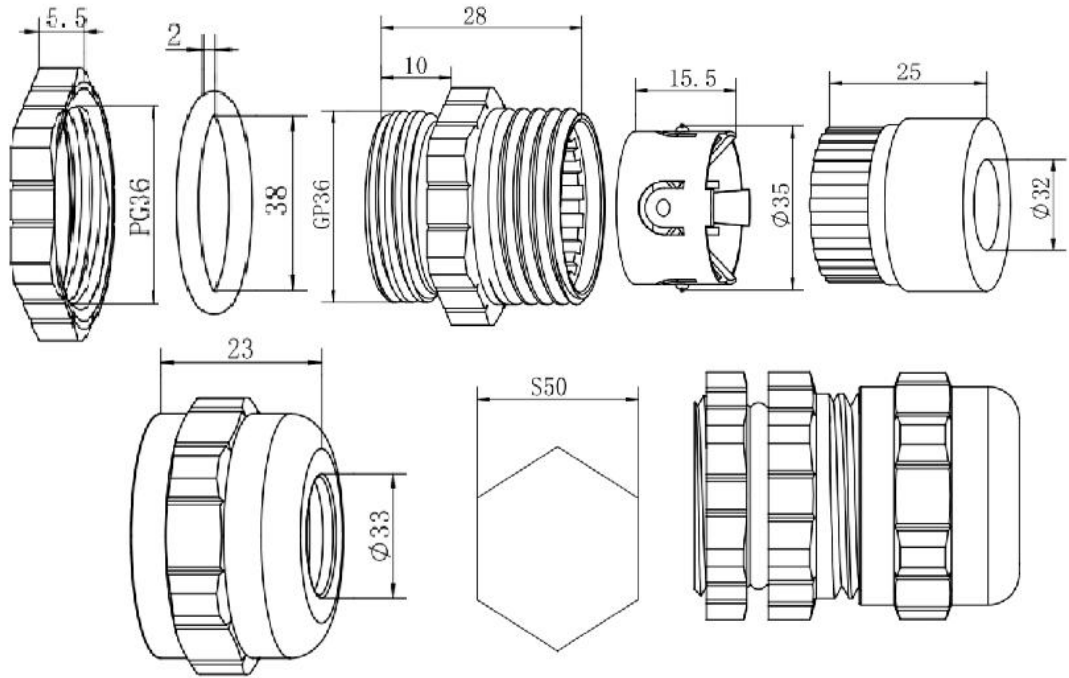
Thread Size	PG36
Maximum Cable Diameter	32mm
Minimum Cable Diameter	22mm
Material	Nickel Plated Brass
Sealing	Nitrile Butadiene Rubber
Colour	Metallic
IP Rating	IP68
Locknut Included	Yes
Minimum Operating Temperature	-40°C
Maximum Operating Temperature	+110°C
Quantity	1

-

Cable Glands



Length	10mm
Spanner Size	50mm
Hole Size	47mm
Cable Range	22—32mm
Thickness of Lock Nut	5.5mm



-

Custom Tariff Number	854790
-----------------------------	--------

-

Declarations	ROHS Declaration of Conformity
---------------------	--------------------------------

-

Stock No.	Brand	Product Name	Colour	Type	Cable Range
831-9068	RS PRO	CBG-PG29	Metallic	Non-EMC	18—25mm