

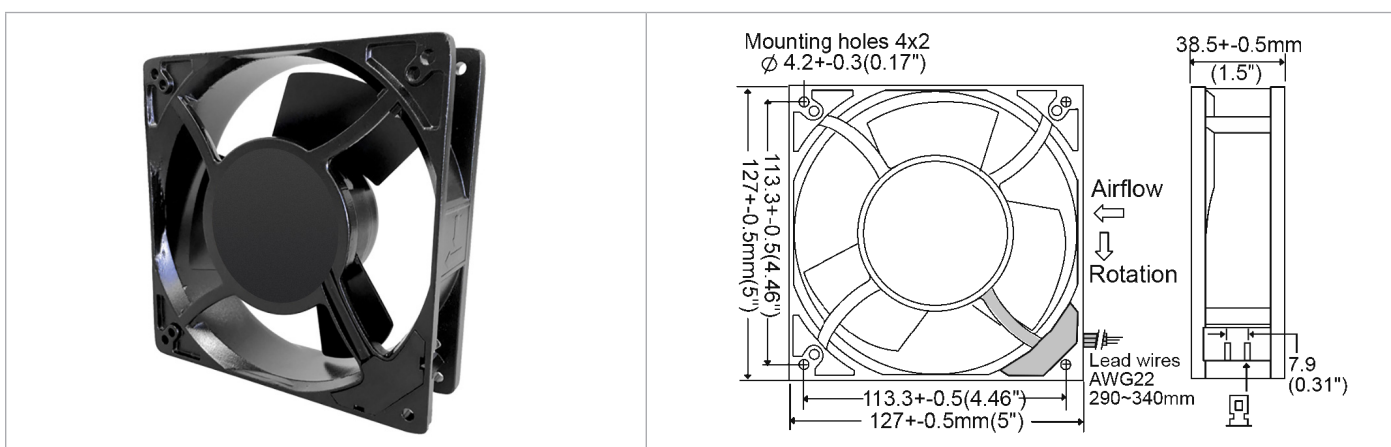


Datasheet

RS PRO AC AXIAL FAN 230VAC 127×38mm IP55 METAL

Stock number: 175-9802

EN



Frame	Diecast Aluminum	<u>Operating Temperature</u> Ball Bearing -30C ~ +80C (non-condensing) Storage Temp -40C ~ +100C	
Impeller	Metal Alloy		
Connection	Terminals	Weight: ~ 0.635 kg (1.4 lbs.)	
Motor	Shaded pole, impedance protected		
Bearing System	Dual ball bearing		
Insulation Resistance	>100M ohm between lead-wire and frame (500VDC)		
Dielectric Strength	1 min at 1500 VAC, 50/60Hz	m0	

Model Number	175-9802
Nominal Voltage	230 VAC
Voltage Range	200-240 VAC
Rated Power	29 W
Rated Speed (RPM)	2600
Airflow - CFM	110
Noise Level - (dB)	48
Max. Static Pressure	0.27" H ₂ O