

Datasheet

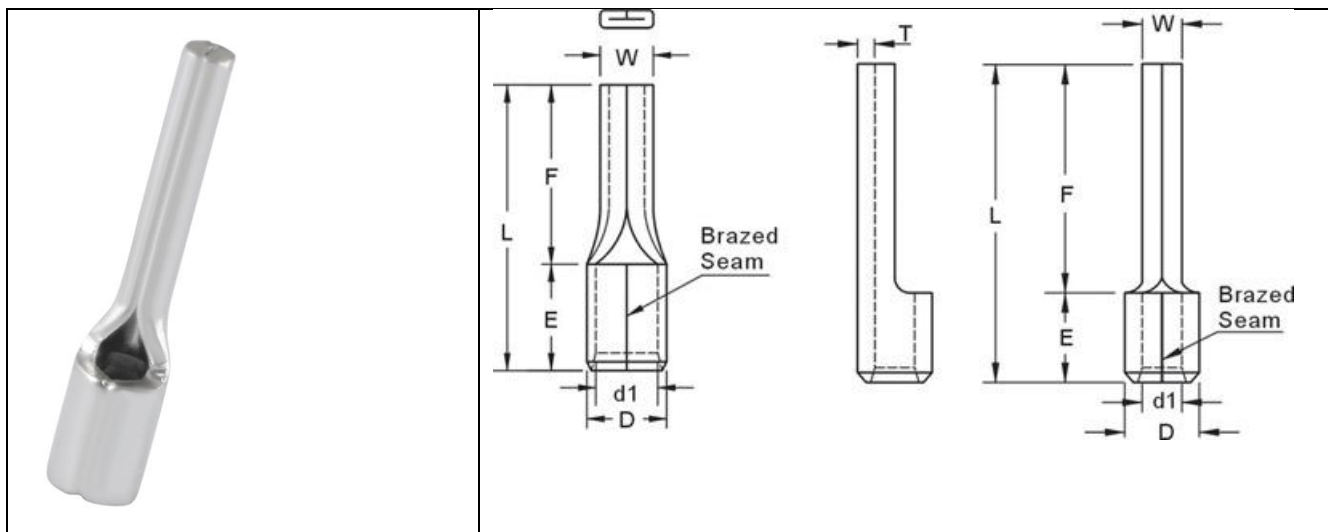
RS PRO NON-INSULATED PIN TERMINALS

Stock number: 178-8415

MAXIMUM ELECTRIC CURRENT

A.W.G.	22	20	18	16
AMP.	9	12	17	18

TERMINAL MATERIAL: COPPER



WIRE RANGE A.W.G. mm ²	ITEM NO. BRAZED SEAM	DIMENSION inch(mm)						
		W	F	L	E	D	d1	T
22-16 A.W.G.	☐ 178-8415	0.075	0.394	0.583	0.189	0.134	0.067	0.03
0.5-1.5 mm ²		1.9	10	14.8	4.8	3.400	1.7	0.75