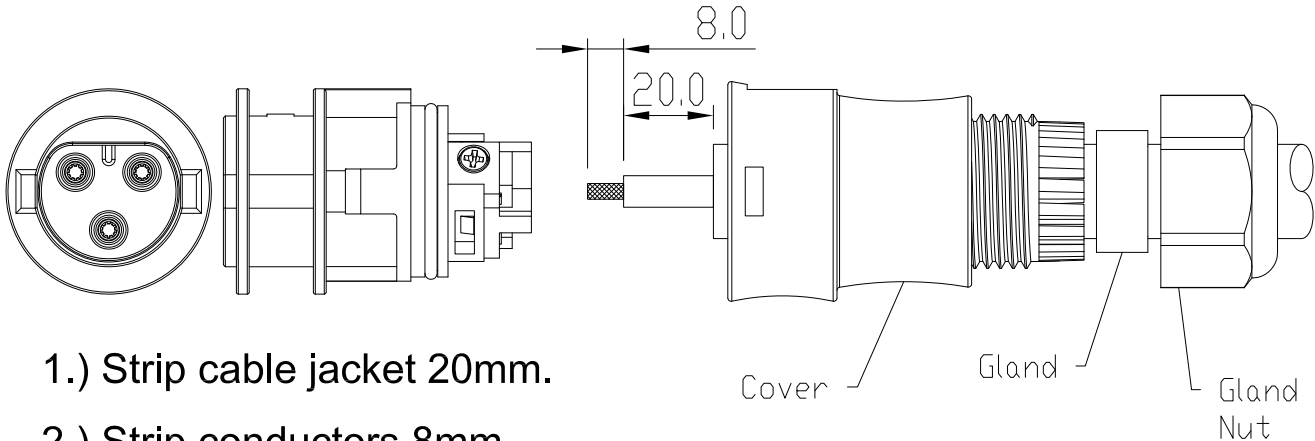


POWER Screw-In Type Field Installable Female



- 1.) Strip cable jacket 20mm.
- 2.) Strip conductors 8mm.
- 3.) Pass cable through gland nut, gland and cover.
- 4.) Insert stripped wire into screw-in pin, tighten. [8.0 Kg-cm]
- 5.) Assemble gland nut into cover, tighten. [15.0~20 Kg-cm]
- 6.) Type 600VAC

| Number of cond. | AWG Size | Jacket OD(mm) |
|-----------------|----------|---------------|
| 3 | 10 | 11.9mm |

- 7.) A Marking: Not for interrupting current

The RS PRO Seal of Approval is only awarded after a rigorous quality process to demanding international standards.