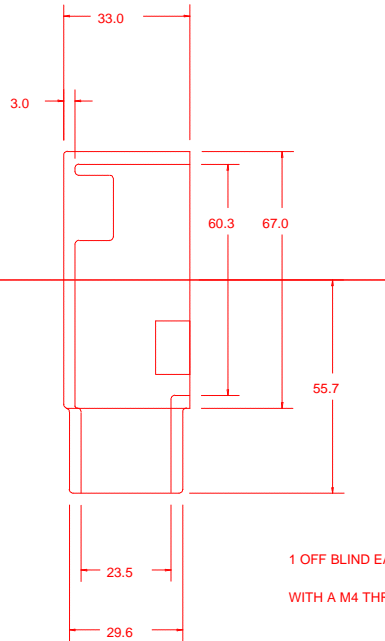
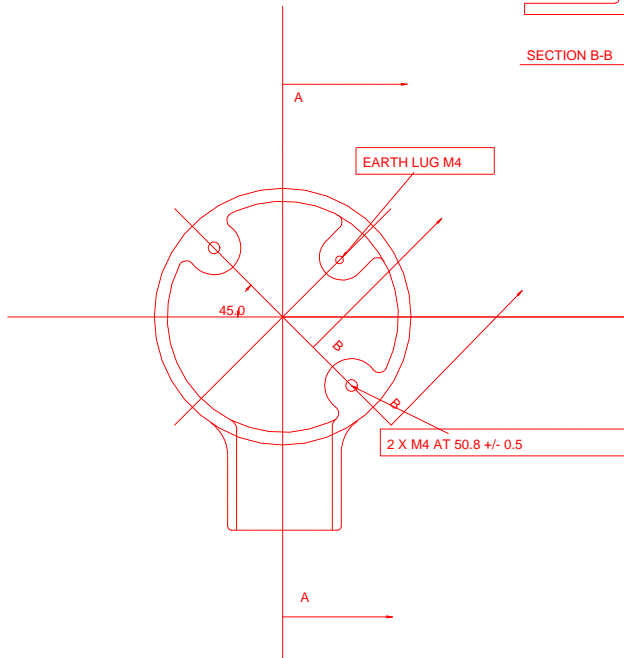


SECTION B-B



1 OFF BLIND EARTH LUG DRILLED AND TAPPED
WITH A M4 THREAD TO A MIN DEPTH OF 6mm

SECTION A-A



	<p>DATE 29/11/02</p>	<p>DRAWN MSE</p>	<p>MATERIAL 316C16F ST/ST</p>	<p>TOLERANCES +/- 0.5mm ON HOLE CTRS</p>	<p>THIS DRAWING IS SUBJECT TO COPYRIGHT IT MUST NOT BE REPRODUCED OR OTHERWISE MADE USE OF, WITHOUT THE WRITTEN PERMISSION OF ELECTRIX INTERNATIONAL LTD</p>
<p>TITLE 25MM TERMINAL BOX BASE</p>	<p>AUTH</p>	<p>CHECKED MSE</p>	<p>FINISH CAST/ELECTROPOLISHED</p>	<p>+/- 3.5 ON FOLDED PARTS</p>	