

## FEATURES

- 1/2" thermostat (12.4mm height)
- UL/cUL & ENEC17 approved
- Normally closed & Normally open type

## RS PRO Bimetal thermostat

RS Stock No.:

2228218, 2228220, 2228221,  
2228224, 2228226, 2228229,  
2228232, 2228234, 2228236,  
2228237, 2228242, 2228252,  
2228254, 2228255, 2228256,  
2228257



RS Professionally Approved Products bring to you professional quality parts across all product categories. Our product range has been tested by engineers and provides a comparable quality to the leading brands without paying a premium price.

### Product Description

This type of thermostat is widely applied to temperature controlling and overheating protection. It's usually used in appliances such as water heater, welding machine, home laundry, etc. Contacts are thermally and electrically isolated. Dust-proof performance is achieved by ceramic, PPS or phenolic case.

### General Specifications

<b>Operating life</b>	100,000 cycles (15A 125VAC/10A 250VAC) 100,000 cycles (16A 250VAC)
<b>Contact type</b>	NC or NO
<b>Case</b>	PPS or Phenolic

### Electrical Specifications

<b>Electrical rating</b>	16A 250VAC/15A 125VAC 10A 250VAC (resistive load)
<b>Circuit resistance</b>	50mΩ max.
<b>Insulation resistance</b>	100mΩ min. at 500VDC
<b>Dielectric rating</b>	1250VAC for one minute

### Additional Information

<b>Custom Tariff Number</b>	9032100000
-----------------------------	------------

### Approvals

<b>Declarations</b>	MFR Declaration of Conformity
<b>Hazardous Area Certification</b>	RoHs 2011/65/EU&2015/863, REACH
<b>Standards Met</b>	UL/cUL, ENEC17, CQC

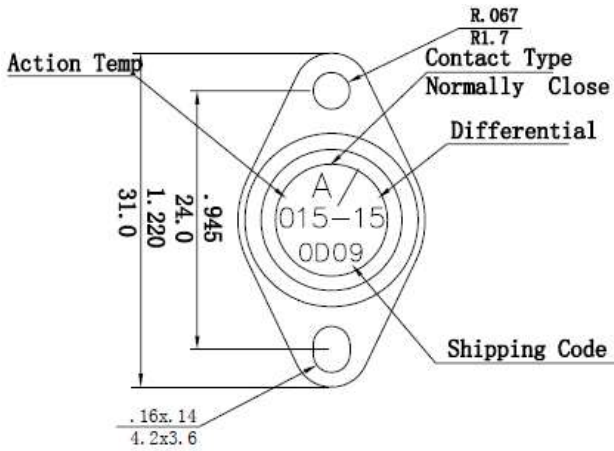
**Similar Products**

Stock No.	Brand	Product Name	Contact type	Action temp.	Reset temp.
2228218	RS PRO	Bimetal thermostat	NC	15°C	0°C
2228220	RS PRO	Bimetal thermostat	NC	20°C	5°C
2228221	RS PRO	Bimetal thermostat	NC	25°C	10°C
2228224	RS PRO	Bimetal thermostat	NC	40°C	25°C
2228226	RS PRO	Bimetal thermostat	NC	50°C	35°C
2228229	RS PRO	Bimetal thermostat	NC	70°C	55°C
2228232	RS PRO	Bimetal thermostat	NC	90°C	75°C
2228234	RS PRO	Bimetal thermostat	NC	100°C	85°C
2228236	RS PRO	Bimetal thermostat	NC	110°C	95°C
2228237	RS PRO	Bimetal thermostat	NC	120°C	105°C
2228242	RS PRO	Bimetal thermostat	NC	150°C	135°C
2228252	RS PRO	Bimetal thermostat	NO	60°C	45°C
2228254	RS PRO	Bimetal thermostat	NO	75°C	60°C
2228255	RS PRO	Bimetal thermostat	NO	82°C	50°C
2228256	RS PRO	Bimetal thermostat	NO	90°C	75°C
2228257	RS PRO	Bimetal thermostat	NO	100°C	85°C

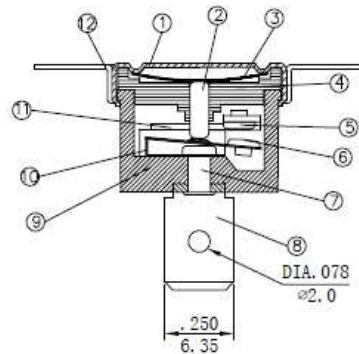
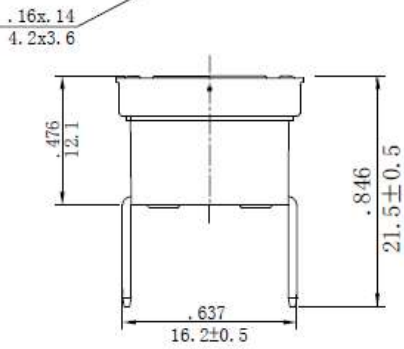
# Bimetal thermostat



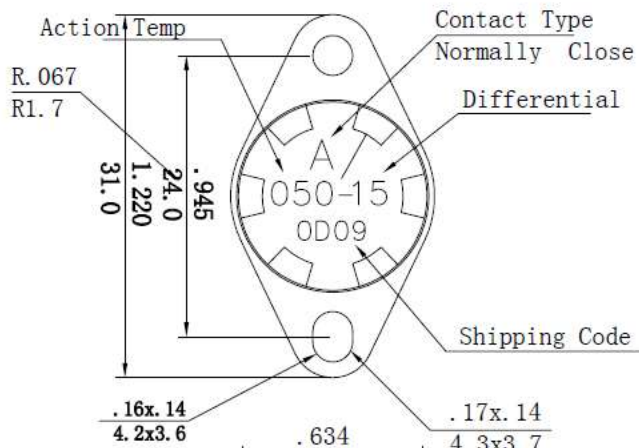
2228218



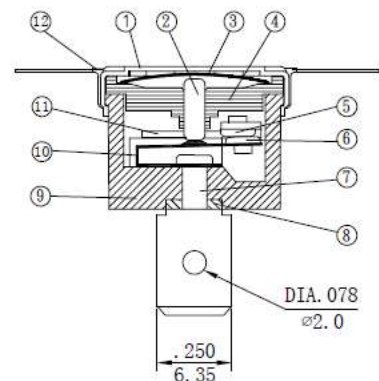
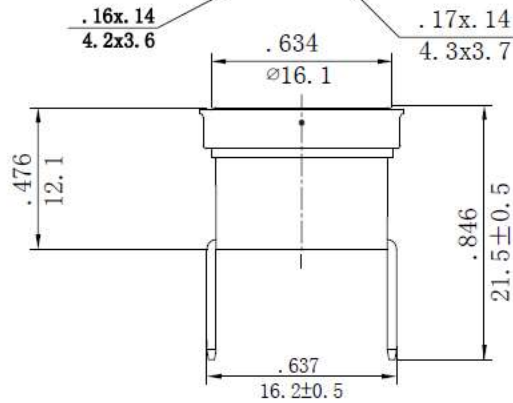
Shipping Code  
 0 D 09  
 09<sup>th</sup>  
 December  
 2020 Year



2228226

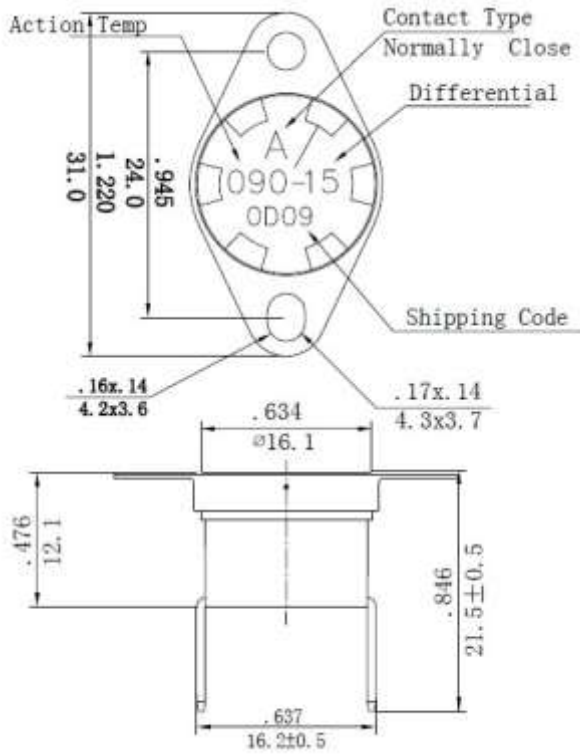


Shipping Code  
 0 D 09  
 09<sup>th</sup>  
 December  
 2020 Year

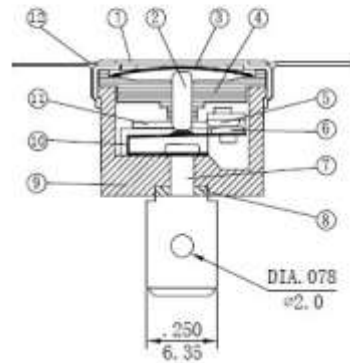


# Bimetal thermostat

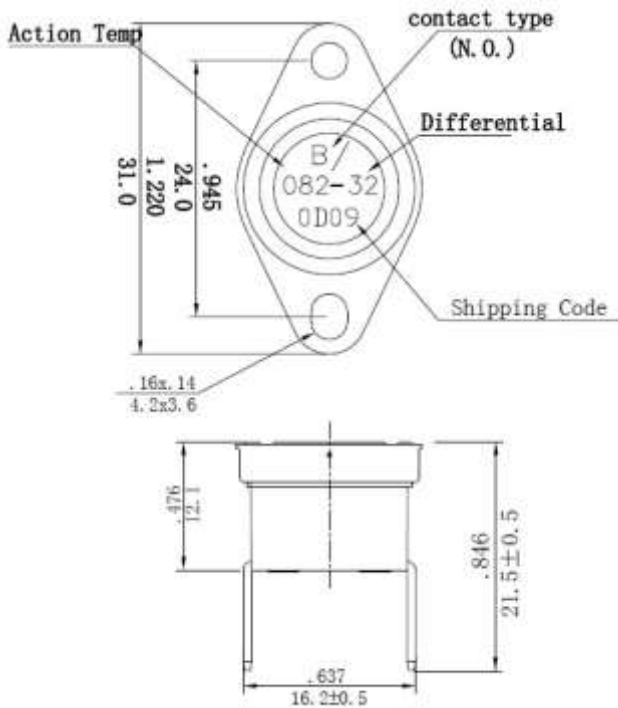
## 2228232



0 D 09  
 09<sup>th</sup>  
 December  
 2020 Year  
**Shipping Code**



## 2228255



0 D 09  
 09<sup>th</sup>  
 December  
 2020 Year  
**Shipping Code**

