

Datasheet

Male IEC Inlet Snap-in Filter

RS Stock number [386-4194](#)



Description:

Snap-in mounting
Meets IEC 950 and overvoltage category II of IEC 664
250 Faston terminals
Double pole on/off switch and fuse holder incorporated

RS, Professionally Approved Products, gives you professional quality parts across all product categories. Our range has been testified by engineers as giving comparable quality to that of the leading brands without paying a premium price.

Specification:

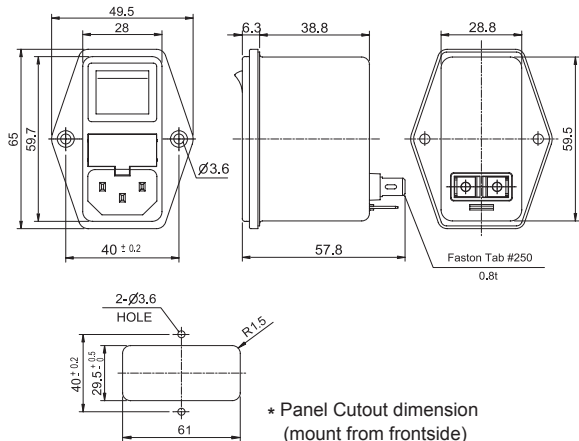
- Capacitors: 47nF between lines (class X)
2 x 2200pF (each line to earth (class Y))
- Inductors: 2A 10.5mH
4A 4.2mH
6A 6.3mH
- Leakage current: 0.35mA (@250V, 50Hz) max
- Operating Temp.: -25 → +85° C
- Current Rating: 2A
- Depth: 33.4mm



- Fuse Size: 5 x 20mm
- Gender: Male
- Height: 65mm
- Mounting Type: Snap-In
- Number of Fuses: 1
- Operating Frequency: 50 Hz, 60 Hz
- Switch Type: 2 Pole
- Termination Method: Faston
- Voltage Rating: 250 V ac
- Width: 57.8mm

Shapes and Dimensions

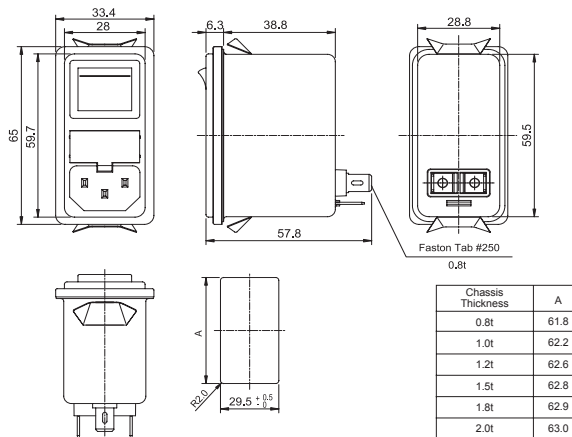
* RIP Series



* Panel Cutout dimension
(mount from frontside)

- * General tolerance : ± 0.5
- * Unit : mm
- * Metal Case

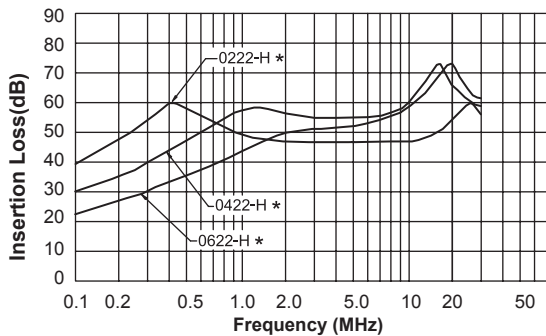
* RIQ Series



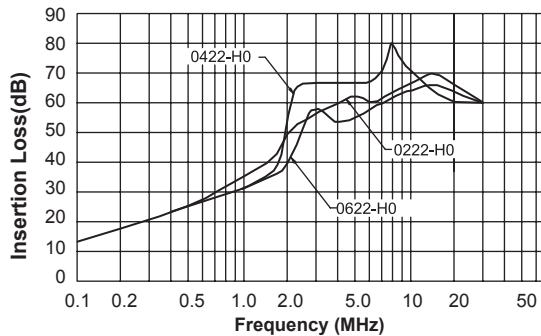
* Panel Cutout dimensions mounts from backside

Attenuation Characteristics

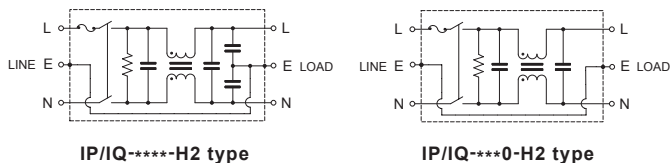
● Common Mode (IP/IQ-02/04/06*2-H*)



● Differential Mode (IP/IQ-**22-H0)



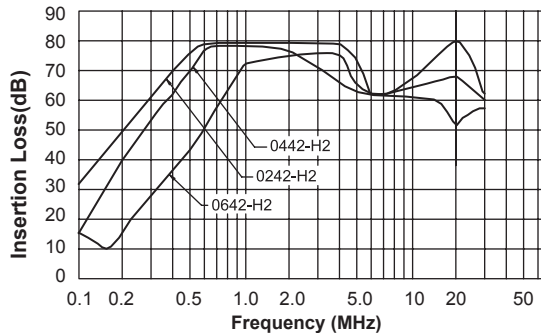
● Circuit Diagram



IP/IQ-****-H2 type

IP/IQ-***0-H2 type

● Differential Mode (IP/IQ-**42-H2)



● Measurement configuration

