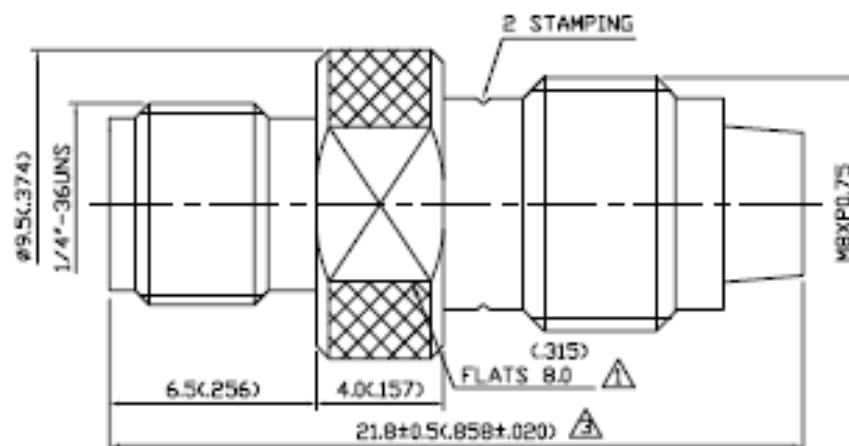


NO	DESCRIPTION	DATE
△	FLAT 9.5X2 — FLATS 8.0	01.31.02'
△	BACKGROUND FORMAT UPDATED	05.02.02'
△	21.8 — 21.8±0.5	01.09.07'
△	BACKGROUND FORMAT UPDATED	10.13.08'



1.0 ELECTRICAL

1.1 FREQUENCY RANGE: DC-900 MHz
1.2 NOMINAL IMPEDANCE: 50 OHM

2.0 MATERIALS

2.1 BODIES: BRASS PER JIS-C3604
2.2 CENTER CONTACT: BERYLLIUM COPPER PER ASTM B196 UNS C17300
2.3 INSULATION: TEFLON PER ASTM D1467 AND ASTM D1710

3.0 FINISHES AND OTHERS

3.1 SEE BELOW TABLE FOR DETAILS.

4.0 ENVIRONMENTAL

4.1 OPERATING TEMPERATURE RANGE: -55° C TO +125° C

NO	DESCRIPTION	MATERIAL	Q'TY	FINISH
4	INSULATION	TEFLON	1	NONE
3	CENTER CONTACT	BERYLLIUM COPPER	1	GOLD 30μ ² MIN.
2	BODY	BRASS	1	NICKEL 100μ ² MIN.
1	INSULATION	TEFLON	1	NONE



APPROVED

by _____ DATE: _____

DESCRIPTION		FME JACK-SMA JACK		品名		23-22 T.G.N		DATE	REV.
製圖	DRAWN	TOLERANCE	品名	23-22	T.G.N	日期	DATE	報次	REV.
	Yoko	.X ±0.2	TITLE	\RDHS COMPLIANT (500)		07.15.92'		A-4	
檢圖	CHECK	.XX ±0.1	單位	mm(In)	DWG.NO.	23-0055			
認定	APPROVAL	.XXX ±0.05	比例	SCALE					
	Monica	ANGLE ±5°	3:1						