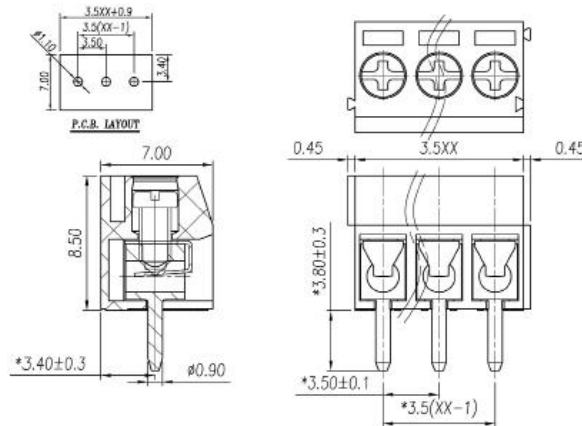
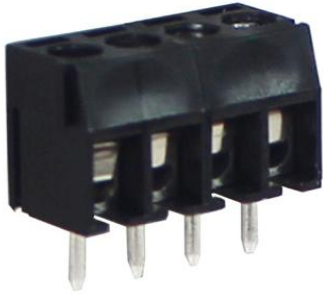



Datasheet

3.5mm Pitch Ultra Low Profile Commercial Screw Terminal Blocks



TYPE NO.	POLES	LENGTH
8971332	2	7mm
8971335	3	10.5mm
8971339	4	14mm
8971348	5	17.5mm
8971341	6	21mm
8971345	7	24.5mm
8971354	8	28mm
8971357	9	31.5mm
8971351	10	35mm
8971360	11	38.5mm
8971363	12	42mm

- Ultra low profile
- 2-12 pole interlocking
- UL94-V0 flame retardant PA66
- Double interlock mechanism for increased strength
- 0.2-0.8mm² (24-18AWG) solid and stranded cable
- Anti solder wicking terminals
- Captive screws
- Guided pin alignment
- Standard colour black.
Other colours available
-  us approved

SPECIFICATION

<i>Rating</i>	10A/300V
<i>Dielectric strength</i>	≥2kV
<i>Working temperature</i>	-40°C to +105°C
<i>Moulding</i>	UL94-V0 flame retardant PA66
<i>Pin/terminal</i>	Tin plated brass
<i>Wire protector</i>	Phosphor bronze, nickel plated
<i>Screw/Torque</i>	M2 steel zinc plated, 0.2Nm max
<i>Recommended PCB hole size</i>	Ø1.1mm