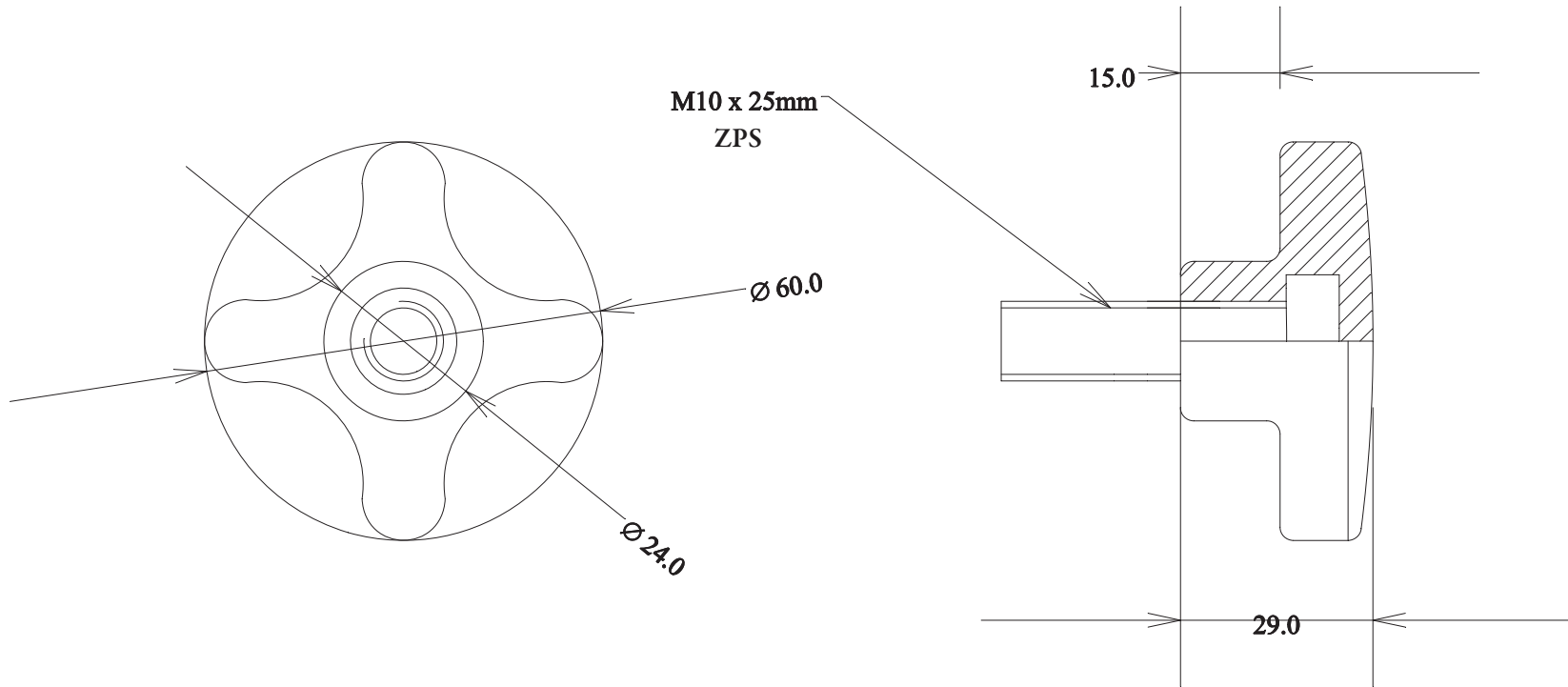




RevNo	Revision note	Date	Signature	Checked
-------	---------------	------	-----------	---------



Itemref	Quantity	Title Star Knob - Polypropylene REV.2		Article No./Reference	
Designed by	Checked by	Approved by - date	Filename	Date	Scale
			RS 702702		
				Edition	Sheet
				1	1/1