

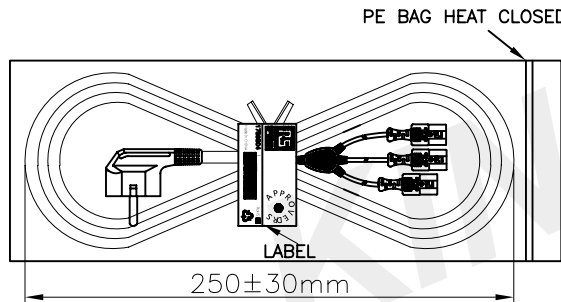
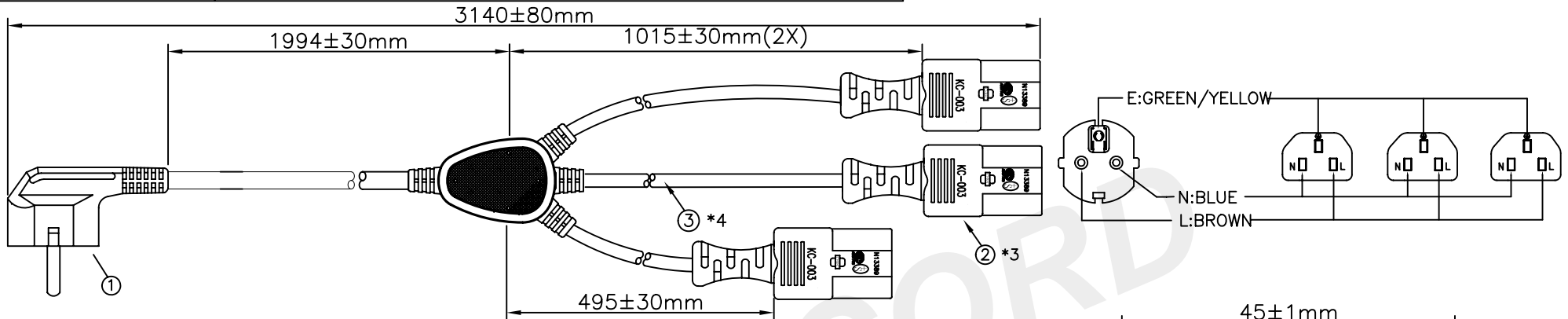
RoHS Compliant

Safety Certificates

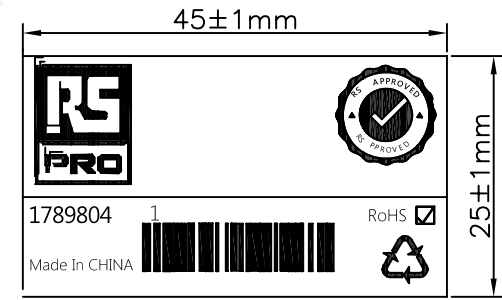
KC-015



KC-003



REFERENCE

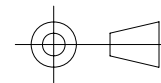


LABEL

RECORD OF CHANGE

DATE	REV	DESCRIPTION OF CHANGE
MAY.08.2018	A	NEW PRODUCT
JUN.15.2018	B	1.ADD THE CONTENT OF THE LABEL. 2.DELETE THE WIRE LABEL.
SEP.27.2018	C	1.CHANGE CUSTOMER NUMBER 818-8915 TO 1789804. 2.CHANGE LABEL CONTENT.

NO:	DESCRIPTION	Q'TY	REMARK
1	Plug:KC-015,16A 250V~	1PC	BLACK
2	Connector:KC-003,10A 250V~	3PC	BLACK
3	Cable:H05VV-F 3G*1.0mm <sup>2</sup>	4PC	BLACK



CUSTOMER NAME:FIRST CONNECTIVITY LIMITED

CUSTOMER NO.: 1789804

UNIT:mm

NOTES:

