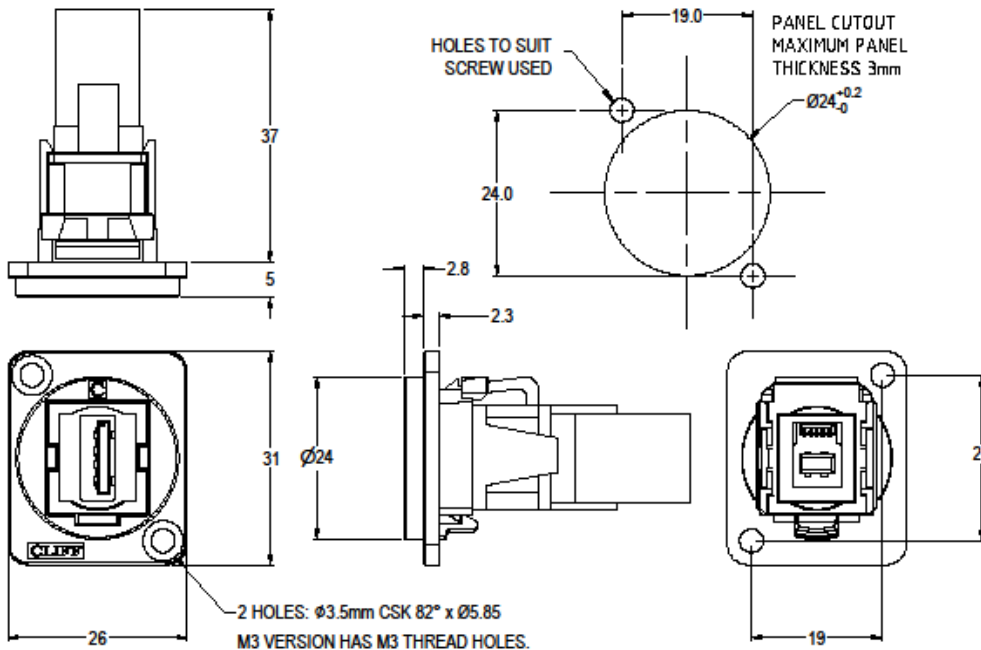


Datasheet

# RS PRO USB3.0 A-B METAL M3 FEEDTHROUGH CONNECTOR

Stock No: 2035577, 2035578



- Material:
1. Insert: ABS
  2. Frame: Nickel or Black plated zinc diecast
  3. Shell: Nickel plated steel
  4. Contacts: Gold Plated

Notes:

1. Voltage rating: 30V AC
2. Current rating: 1.8 A max
3. Contact resistance: 50m $\Omega$  max
4. Insulation resistance: 20M $\Omega$  min
5. Dielectric withstanding voltage: 500V AC
6. Operating Temperature: -20°C to 50°C

## Features & Benefits:

- Fits standard XLR Ø24mm cutout.
- No soldering or punch termination. Use standard cable for each connector style.
- Front or rear mounted.
- Low rear profile

## General:

**Please note: Functionality is affected by cable quality, length and cable wiring configuration.**



[rspro.com](http://rspro.com)

