

Datasheet

RS PRO NYLON-INSULATED RING

TERMINALS

Stock number: 178-8644

MAXIMUM ELECTRIC CURRENT:

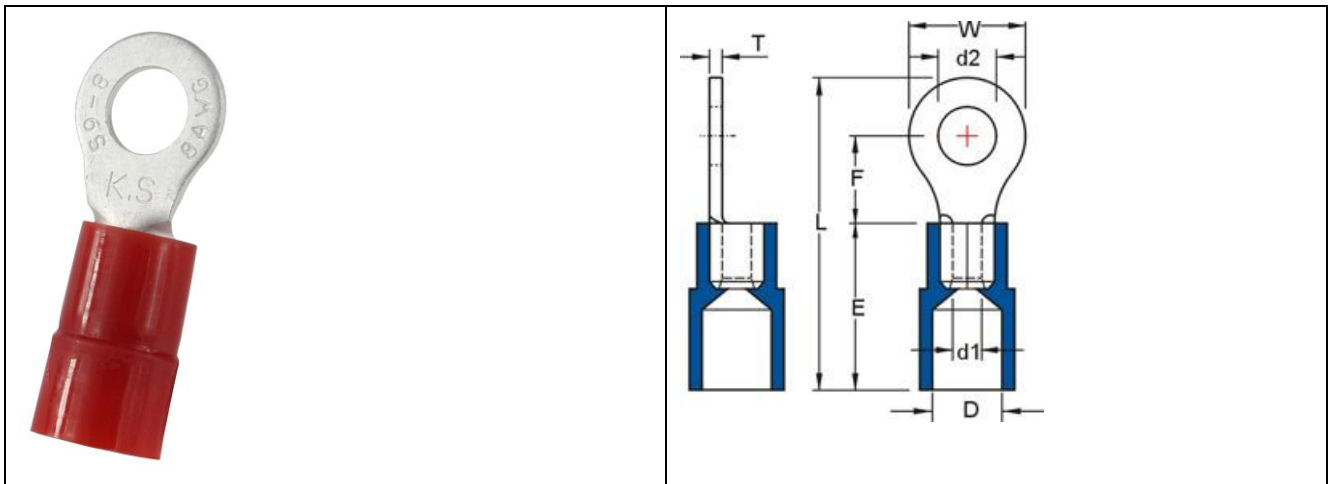
A.W.G.	8
AMP.	70

MAXIMUM ELECTRICAL RATING: 105° C 600 VOLTS MAX.

INSULATION MATERIAL: NYLON

TERMINAL MATERIAL: COPPER

INSULATION COLOR: RED



WIRE RANGE A.W.G. mm ²	ITEM NO.	STUD SIZE BRAZED SEAM	DIMENSION inch(mm)							
			d2	W	F	L	E	D	d1	T
8 A.W.G.	178-8644	1/4	0.252	0.472	0.366	1.232	0.63	0.315	0.177	0.047
8 mm ²			6.4	12	9.3	13.3	16	8.000	4.5	1.2