



# Datasheet

## RS PRO Special Enclosures

Stock number: 2006672

EN

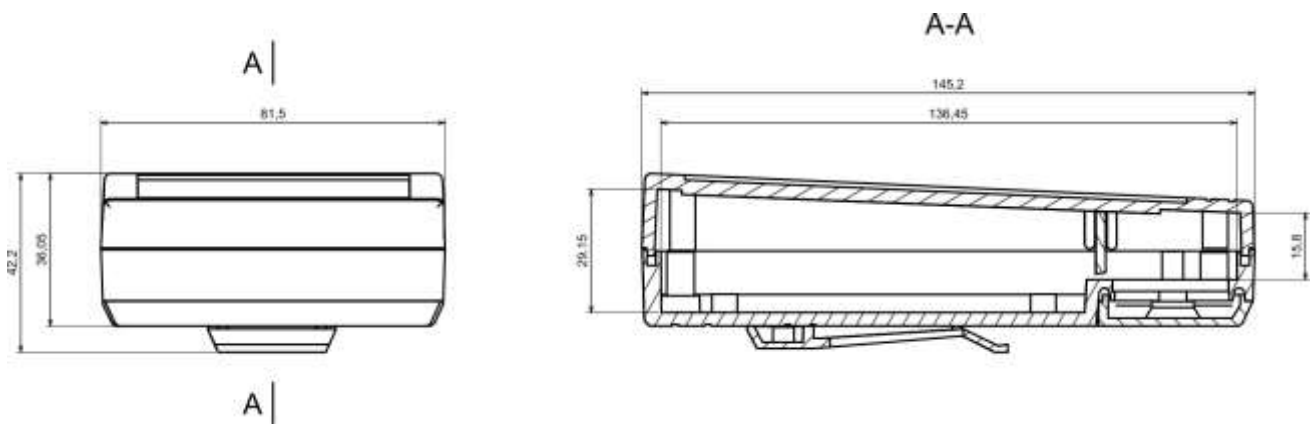


## Product Details

Enclosure with battery compartment designed to place a 9V or AA batteries inside. The enclosure provides IP53 and IK07 rating it is ideal for applications that doesn't require hermetic seal.

## Features and Benefits

- Made of ABS
- Available in light gray color
- Protection against liquids and solid objects: IP53 rating
- Shock protection level: IK07 rating
- Supplied with screws for assembly
- Battery compartment with cover
- Lid with recess for keypads and overlays

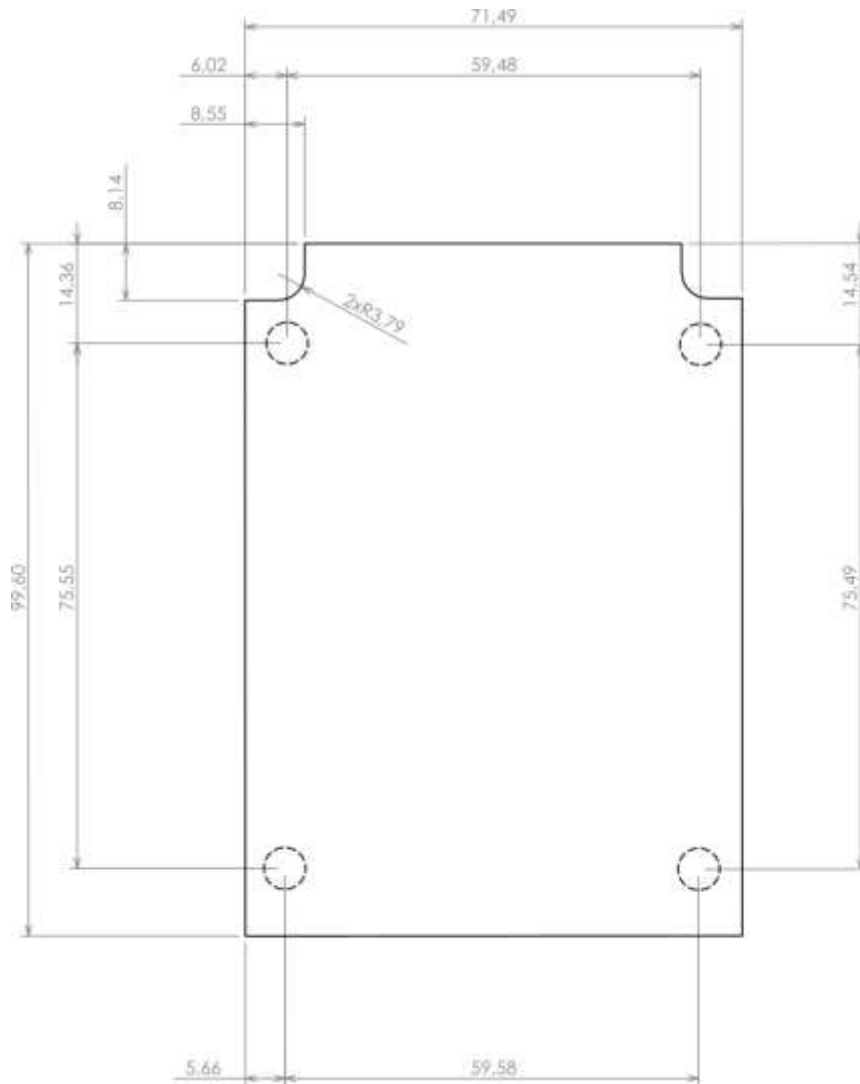


Category	Special Enclosures With display spot
Type	Full
Material	ABS
Variant	Without gasket
Height	35.0 mm
Width	80.0 mm
Length	145.0 mm
Color	Light gray
Protection level	IP53
Shock protection level	IK07
Standards Met	RoHS Compliant
Accessories	Screw 3/16: 2.0 pcs Screw 3/20: 2.0 pcs Screw 3/25: 2.0 pcs
Certificate number	CE/031/18





## Max PCB size



Dashed line shows outline of the mounting boss under PCB board  
Recommended mounting holes diameter  $\varnothing 3,5\text{mm}$   
All dimensions are given within  $\pm 0,5\text{mm}$  tolerance