

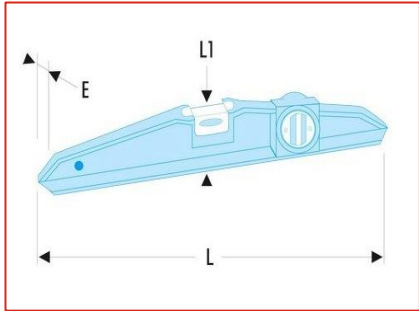


ENGLISH

Datasheet

24" Bridge Type Level

RS Stock number **851-3554**



E (mm)	L (mm)	L1(mm)	Weight (g)
23.5	600	50	560

Features: Sturdy construction with precision milled base, electrostatic static powder coating with highly shock absorbent design, non-magnetic base.

Accuracy: 0.5mm/M

