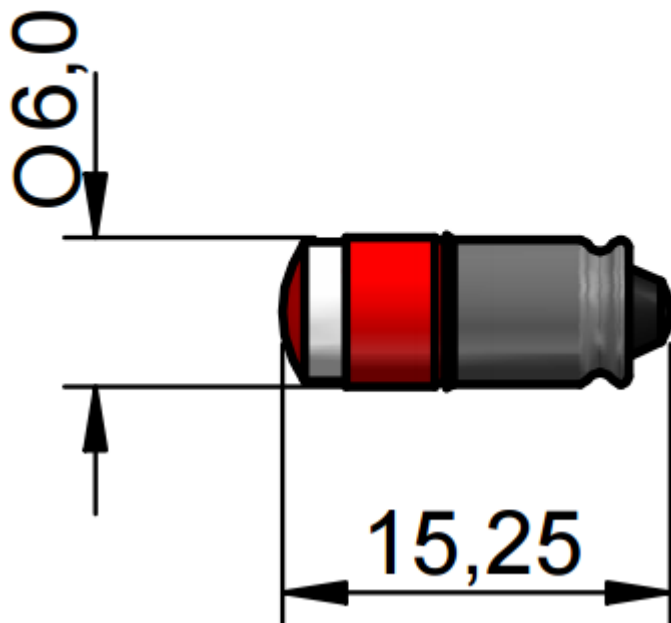


Datasheet

LED Indicator Lamp

RS ITEM NO 205-971



LED/Multiled	Multiled	Optimum voltage (V)	28vac/dc	Intensity	40mcd
Mounting Size	TI 3/4	Rectifier	Half Wave		
Mounting Finish		AC current	15mA		
Protection	Protection Diode	DC current	20mA		
Mount Holder	Midget Groove	Voltage Tolerance (%)	10%		
Chip Qty	6	Optimum temperature (°C)	-30°C...+65°C		
Indicator colour	Red	Storage temperature (°C)	-30°C...+65°C		
Wavelength (nm)	630	Contact Tab	Midget Groove		



*Dimension in mm (typical), not to scale.
We reserve the right to make changes without further notice to this product to improve reliability, function or design.*