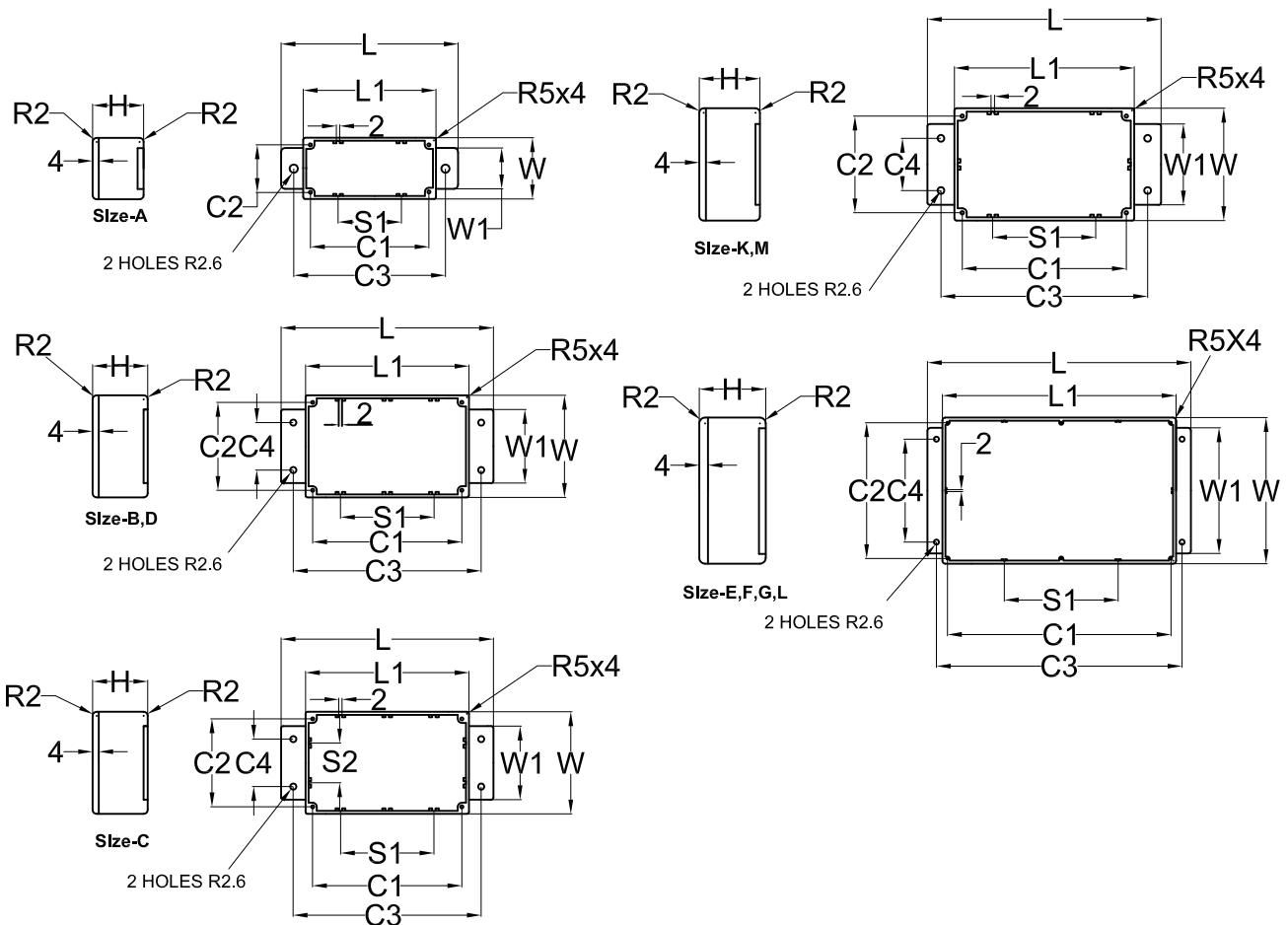




RS Stock No.517-4106
 RS Stock No.517-4128
 RS Stock No.517-4112
 RS Stock No.517-4099
 RS Stock No.517-4184
 RS Stock No.517-4156
 RS Stock No.517-4162
 RS Stock No.517-4140

IP65 Flanged high temperature boxes (with seal ,no coating)



RS Item NO.	Size NO.	L	L1	W	W1	H	C1	C2	C3	C4	S1	S2	Wall Thickness
5174106	A	113.9	89.1	35.1	25.0	31.0	79.6	25.4			36.0		1.5mm
5174128	B	139.7	114.6	63.8	44.7	31.0	104.5	54.2	127.0	30.0	60.1		1.5mm
5174112	C	139.8	114.6	89.7	68.9	56.2	104.5	79.6	127.0	50.0	50.1	36.1	1.5mm
5174099	D	139.6	114.6	63.8	44.9	56.0	104.6	54.3	127.1	30.0	60.1		2mm
5174184	E	201.7	172.2	121.2	100.1	56.3	160.6	109.5	189.0	80.0	80.0		2mm
5174156	F	201.7	172.1	121.2	100.2	106.4	160.6	109.5	188.9	80.0	80.0		2mm
5174162	G	252.0	222.3	146.1	117.7	56.5	211.7	135.6	238.0	98.0	100.1		2mm
5174140	K	168.7	139.3	101.6	79.0	77.5	128.8	90.9	157.1	60.1	65.0		2mm
	L	194.8	165.6	127.4	100.0	77.3	154.1	116.1	182.2	80.0	78.0		2mm

1. Material of the base and lid :Aluminium alloy ADC12
2. Material of the screws : Stainless M3.5x12mm Supadrive countersunk head
3. Finish:Natural plain
4. Seal: 3mm thick black self-adhesive synthetic rubber , Neoprene providing protection to IP65
5. Taper 1.5° Per side lid to base