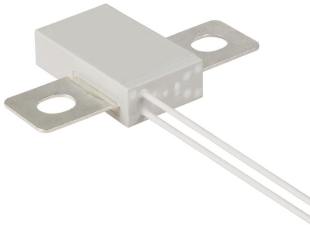


RoHS
Compliant



Description

This series construction consists of thermal element with low melting point, flux resin and electrode leads. The control part consists of Feed Heater (FH) and ATCO, which is used to cut off the control circuit.

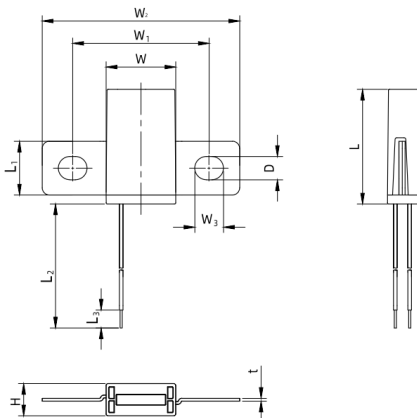
Applications

- Electric Motorcycle, Electric Golf Cart
- Electric Yacht, Household Energy Storage
- Base Station Power Supply, Battery

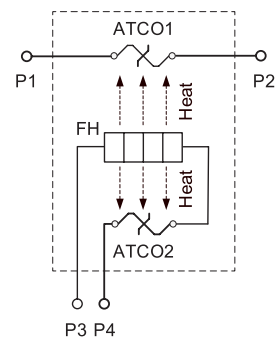
Features

- Low Impedance, Low Power Consumption
- MC Controlled Fusing Time ≤ 60 s
- Non-Resettable
- Active Control
- Over Temp. Protection
- Self-Control Protection

Dimensions

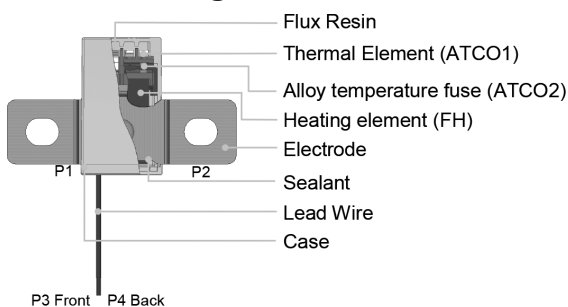


Product Schematic



- P1 ~ P2 Main Circuit (MC)
- P3 ~ P4 Control Circuit (CC)

Structure Diagrams



- P1 ~ P4 Port

W	W1	W2	W3	L	L1	L2	L3	D	t	H
19.4 ±0.2	38 ±0.5	55 ±1	8 ±0.1	32 ±0.5	15 ±0.1	70 ±5.	5 ±1	6.5 ±0.1	0.8 ±0.1	9 ±0.2

Item	Description
iTCO	idea Thermal-Link Protector that can fuse itself after receiving control signal.
TCO	Thermal-Link A non-resettable device incorporating a thermal element which will open a circuit once only when exposed for a sufficient length of time to a temp. in excess of that for which it has been designed.
ATCO	Alloy Thermal-Link AAloy type Thermal-Link, Alloy is thermal element.
FH	Feed Heater Electric appliances that use electric energy to achieve heating effect.
MC	Main Circuit All conductive components used in switching devices for closing or disconnecting circuits in a circuit.
CC	Control Circuit In addition to the main circuit, all conductive parts of the switching apparatus used in the access circuit as the closing operation and / or opening operation of the switching apparatus.
I _r	Rated Current The current used to classify an iTCO, which is the Maximum current that iTCO allows to carry and is able to cut off the circuit safely.
U _r	Rated Voltage The voltage used to classify an iTCO, which is the Maximum voltage that iTCO allows to carry and is able to cut off the circuit safely.
T _r	Rated Functioning Temp. The temperature of the Thermal-Link which causes it to change the state of conductivity with a detection current up to 10 mA as the only load. Tolerance: T _r 0 / -10°C (GB 9816, EN 60691, K60691). Tolerance: T _r ± 7°C (J60691).
Fusing Temp.	Fusing Temp. The temp. of the iTCO which causes it to change its state of conductivity is measured with silicone oil bath in which the temp. is increased at the rate of (0.5 to 1) °C /minutes, with a detection current less than 10 mA as the only load.
T _h	Holding Temp. The Maximum temp. at which a iTCO will not change its state of conductivity when conducting rated current for 168 h.
T _m	Maximum Temp. Limit The temp. of the iTCO stated by the manufacturer, up to which the mechanical and electrical properties of the iTCO having changed its state of conductivity, will not be impaired for a given time.

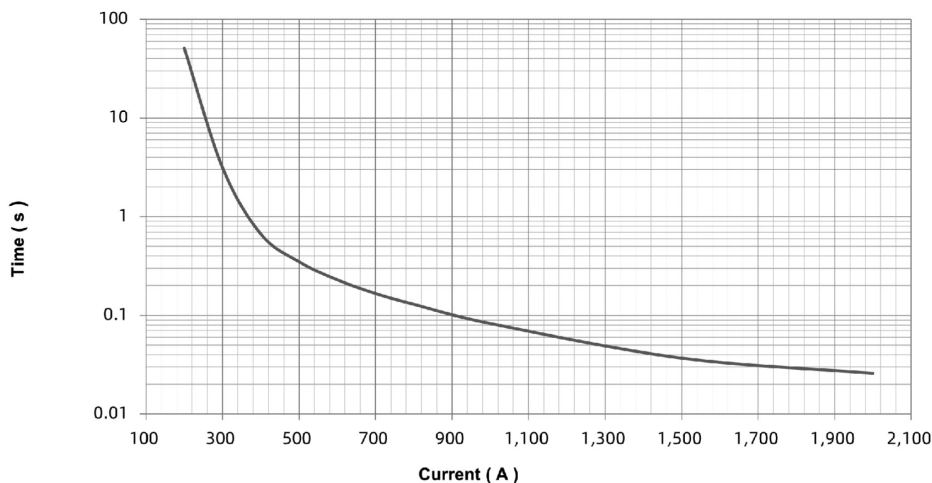
Specification

Model	Main Circuit Specifications						Control Circuit Specifications		Fusing Time	
	T _f	Fusing Temp.	T _h	T _m	I _r	U _r	Rated Operating Voltage U _r	Cold Resistance	t _{mc} (P1 ~ P2)	t _{cc} (P3 ~ P4)
	(°C)	(°C)	(°C)	(°C)	(A)	(VDC)	(VDC)	(Ω)	(s)	(s)
MPTKS150-R5N-QJZ	150	146 ± 3	85	180	80	125	48	12.0 ± 2.0	≤ 60	t _{mc} + (0 to 30)
MPTKS150-R5N-RJZ					100					
MPTKS150-R5N-SJZ					120					

Product Current-Time Curve

The Current-Time Curve shows functioning time at multi-times rated current at room temperature (25 ± 2)°C.

TKS150-RxN Current-Time Curve



Part Number Table

Description	Part Number
Thermal Link Fuse, 125V DC, 80A, 150°C	MPTKS150-R5N-QJZ
Thermal Link Fuse, 125V DC, 100A, 150°C	MPTKS150-R5N-RJZ
Thermal Link Fuse, 125V DC, 120A, 150°C	MPTKS150-R5N-SJZ

Important Notice : This data sheet and its contents (the "Information") belong to the members of the AVNET group of companies (the "Group") or are licensed to it. No licence is granted for the use of it other than for information purposes in connection with the products to which it relates. No licence of any intellectual property rights is granted. The Information is subject to change without notice and replaces all data sheets previously supplied. The Information supplied is believed to be accurate but the Group assumes no responsibility for its accuracy or completeness, any error in or omission from it or for any use made of it. Users of this data sheet should check for themselves the Information and the suitability of the products for their purpose and not make any assumptions based on information included or omitted. Liability for loss or damage resulting from any reliance on the Information or use of it (including liability resulting from negligence or where the Group was aware of the possibility of such loss or damage arising) is excluded. This will not operate to limit or restrict the Group's liability for death or personal injury resulting from its negligence. Multicomp Pro is the registered trademark of Premier Farnell Limited 2019.