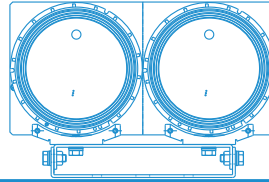


MODULAR LED FLOODLIGHT



LF60 2 SERIES



Wide beam model



Narrow beam model

Key Features

- Triac dimming compatible (**220V-240VAC & 100V-120VAC only**)
- Designed with reliable AC driver on board to enhance the service life
- Rapid heat-dispersing design to prolong lamp life and optimise lumen output
- Long service life of 100,000 hours @ 50°C (Ta)
- Compact and lightweight design
- Interchangeable module
- Safety, EMC and IEC compliance



Application

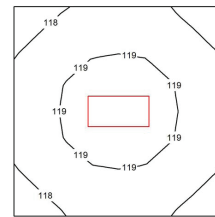
Decks, Marinas, Docks, Ports, Warehouses

Material

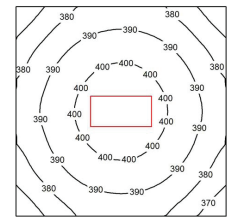
Marine grade aluminium alloy with powder coating, comes with 4mm tempered glass front cover

Weight

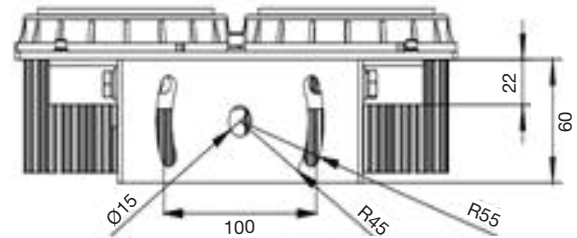
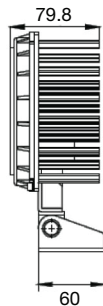
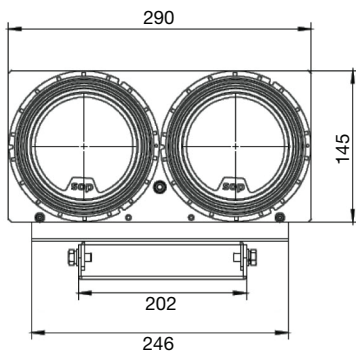
3.5Kg



Wide beam model:
Average Lux : 119lx
Mounting Height : 5 Meters
Measurement Area : 1m²



Narrow beam model:
Average Lux : 389lx
Mounting Height : 5 Meters
Measurement Area : 1m²



[mm]

TECHNICAL SPECIFICATIONS IP 66

Ideal Replacement:



BH Code	Type	Main Voltage	Power	CCT	Beam Angle	Ambient Temp (Ta)	System Lumen
LF60F025KA22	LF60F02	220V - 240V AC	112W	5000K	115°	-40°C ~ +50°C	11000lm
LF60N025KA22	LF60N02	220V - 240V AC	112W	5000K	45°	-40°C ~ +50°C	10800lm
LF60F025KA11	LF60F02	100V - 120V AC	112W	5000K	105°	-40°C ~ +50°C	9000lm
LF60N025KA11	LF60N02	100V - 120V AC	112W	5000K	45°	-40°C ~ +50°C	9000lm
LF60F025KD24	LF60F02	24V DC	112W	5000K	130°	-40°C ~ +50°C	9800lm
LF60N025KD24	LF60N02	24V DC	112W	5000K	35°	-40°C ~ +50°C	9200lm

Also available in other CCT and beam angle upon request.

Due to our continuous development and product improvement policy, we reserve the rights to revise the specifications of all products without prior notice.

