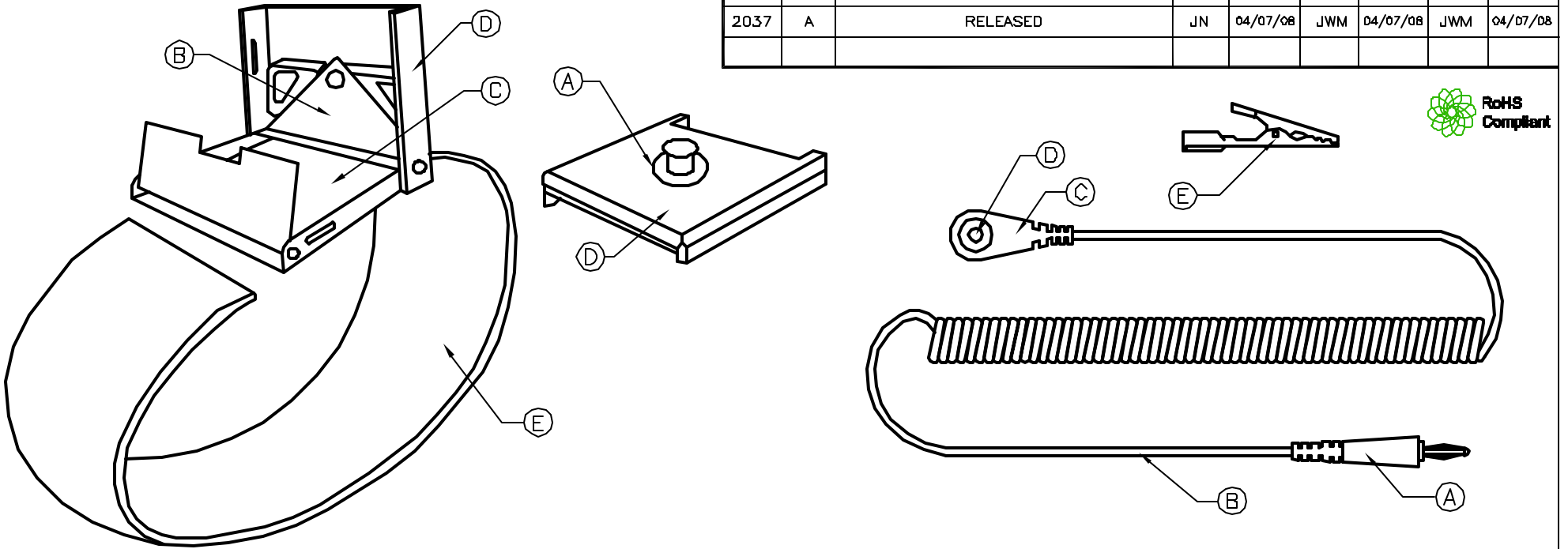


ALL RIGHTS RESERVED. NO PORTION OF THIS PUBLICATION, WHETHER IN WHOLE OR IN PART CAN BE REPRODUCED WITHOUT THE EXPRESS WRITTEN CONSENT OF SPC TECHNOLOGY.

REVISIONS

DOC. NO. SPC-F005 \* Effective: 12/21/08 \* DCP No: 880

DCP #	REV	DESCRIPTION	DRAWN	DATE	CHECKD	DATE	APPRVD	DATE
2037	A	RELEASED	JN	04/07/08	JWM	04/07/08	JWM	04/07/08



**WRIST STRAP:**

- A. 4mm stud, to fit 4mm spring loaded medical snap socket.
- B. Easy to open plastic clasp secures elastic material in place, and allows the user to easily adjust the wrist band size. Maintains electrical continuity even when open.
- C. Non-allergenic stainless steel base plate, provides excellent skin contact, for superior grounding.
- D. Insulating cap, thermoplastic.
- E. Soft elastic band.

**GROUND CORD:**

- A. Barrel type banana plug. Fits industry standard banana jack .166 in. (4.22mm).
- B. Metallized, high flex tinsel, black jacket, 12 feet long
- C. One megohm, 1/4 watt, series resistor, molded within snap assembly, limits current for operator safety.
- D. Spring loaded 4mm snap socket.
- E. Alligator clip included.
- F. Date coded with date of manufacture.

**DISCLAIMER:**  
ALL STATEMENTS AND TECHNICAL INFORMATION CONTAINED HEREIN ARE BASED UPON INFORMATION AND/OR TESTS WE BELIEVE TO BE ACCURATE AND RELIABLE. SINCE CONDITIONS OF USE ARE BEYOND OUR CONTROL, THE USER SHALL DETERMINE THE SUITABILITY OF THE PRODUCT FOR THE INTENDED USE AND ASSUME ALL RISK AND LIABILITY WHATSOEVER IN CONNECTION THEREWITH.

UNLESS OTHERWISE SPECIFIED, DIMENSIONS ARE FOR REFERENCE PURPOSES ONLY.

DRAWN BY:	DATE:
Jason Nash	04/07/08
CHECKED BY:	DATE:
Jeff McVicker	04/07/08
APPROVED BY:	DATE:
Jeff McVicker	04/07/08



**SPC TECHNOLOGY**

DRAWING TITLE:			
<b>WRIST STRAP KIT</b>			
SIZE	DWG. NO.	ELECTRONIC FILE	REV
<b>A</b>	<b>MC23780</b>	<b>14N9045.DWG</b>	<b>A</b>
SCALE: NTS	U.O.M.: INCHES [mm]	SHEET: 1 OF 1	