



Datasheet

RS PRO 1m USB 3.1 Type C Male to USB 3.0 Type A Female Adapter

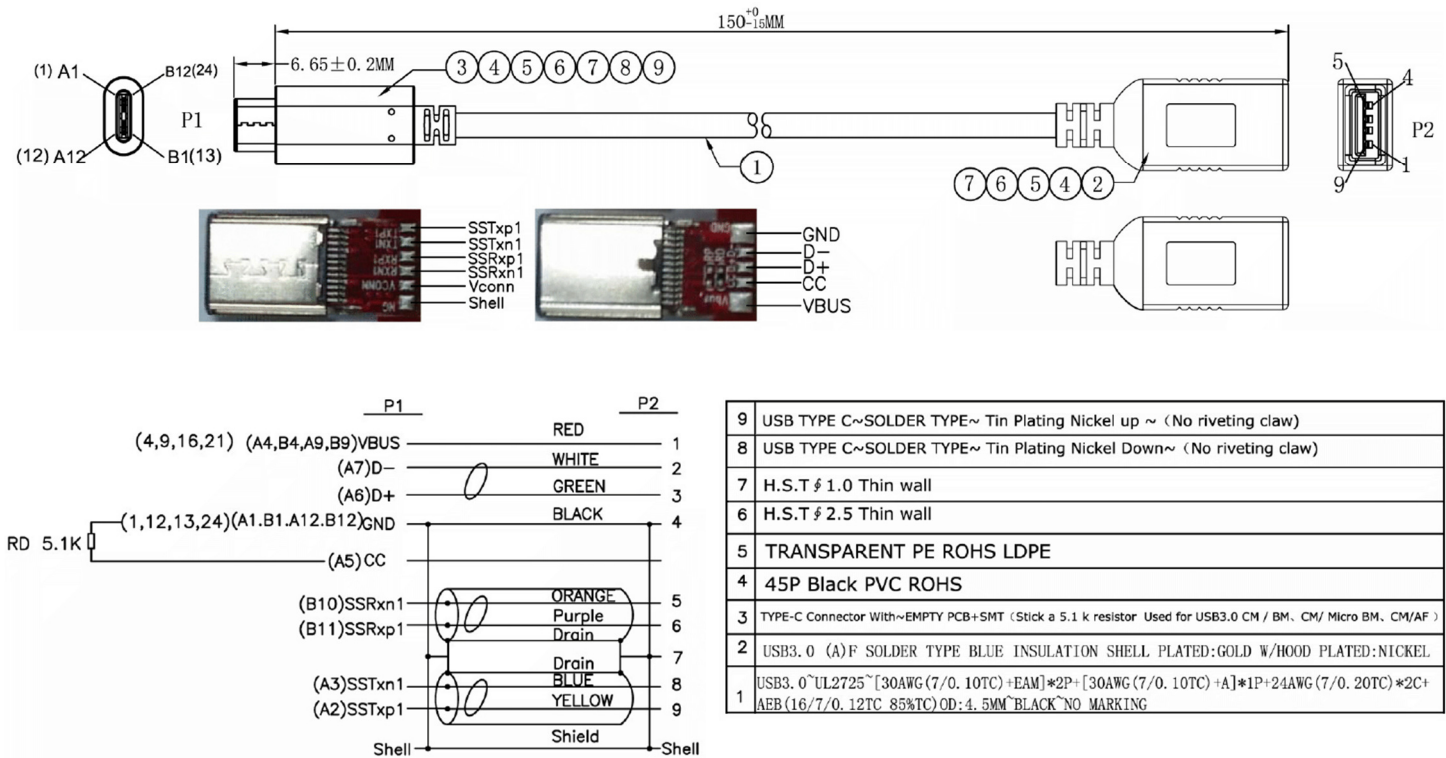
Stock number: 186-3058

EN

The RS PRO 1 metre USB version 3.1 type C male to USB version 3.0 type A female cable has a black PVC jacket and connector hoods. The cable flex has copper wire conductors and drain wire, with an aluminium braid, foil shielding and has an outer diameter of 4.5mm.

The connectors are nickel and have a strain relief to help avoid the cable splitting around the edge of the boot.

USB 3.1 supports 20 volt, 3 amp power delivery, this cable has a 5.1KΩ resistor to prevent too much power getting to a USB 3.0 device.



RoHS / REACH / CE