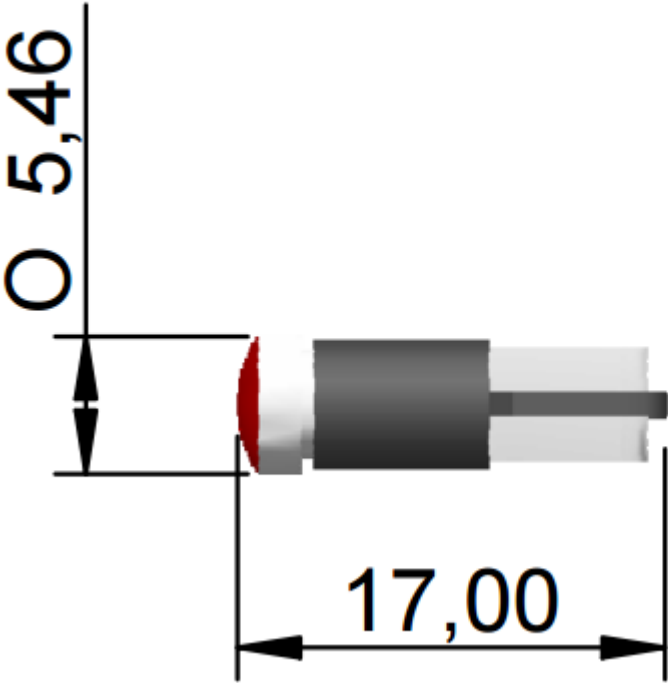


Datasheet

LED Indicator Lamp

RS ITEM NO 209-686



LED/Multiled	Multi LED	Optimum voltage (V)	24vdc	Intensity	27mcd
Mounting Size	6x16mm	Rectifier			
Mounting Finish		AC current			
Protection		DC current	15mA		
Mount Holder	T5 Wedge Base	Voltage Tolerance(%)	10%		
Chip Qty	6	Optimum temperature (°C)	-30°C...+60°C		
Indicator colour	Red	Storage temperature (°C)	-30°C...+60°C		
Wavelength (nm)	635	Contact Tab x 2	T5 Wedge Base		



*Dimension in mm (typical), not to scale.
We reserve the right to make changes without further notice to this product to improve reliability, function or design.*