

## FEATURES

- IP67
- Pre-wired with 100, 200, 300, or 400 mm or customised length cable partially stripped cable
- Front/ screw mounting with M16 thread

## RS PRO M12 MALE FRONT PANEL MOUNT CONNECTOR 4 PIN 16X1.5 mm THREAD WITH 500 mm TPE CABLE

RS Stock No.: 2080592



RS Professionally Approved Products bring to you professional quality parts across all product categories. Our product range has been tested by engineers and provides a comparable quality to the leading brands without paying a premium price.

## Product Description

### ATTRIBUTE 1

## M12 Connector M16 Clamp Nut

A series of RS Pro M12 panel-mounted connectors. Each connector within this range is supplied with a partially stripped 100 mm, 200 mm, 300 mm, 500 mm, 750 mm or customised length cable, making it perfect for your application. With IP67 rating and a durable nickel plated brass housing material, each connector is excellent within harsh environments. All models are highly reliable and excellent quality.

## Features & Benefits

Contact Plating: Gold plated Supplied with a neoprene O-Ring

Number of poles: 4

Both Female and Male versions available

## Applications

The RS PRO series of M12 panel mount connectors are generally used in industrial applications. They are typically used when connecting to sensors and actuators. Some of the most popular areas are

- Instrumentation
- Process control
- Robotics
- Assembly lines
- Factory automation
- Industrial automation

## General Specifications

Rated Operational Voltage	250 V
Current Rating	4A
Insulation Resistance	>= 100 MΩ
Temperature Range	-25°C ... +75°C
Mounting	Front (M16 x 1.5)
Coding	A-Coded

## Material Specifications

Housing Material	Brass Ni Plated
Contact	Cu-Zn
Contact Plating	Gold Flash
Contact Carrier	Nylon 66

# RS PRO M12 PANEL MOUNT CONNECTOR



O-Ring	NBR
Pole	4
Clamp Nut	M16 x 1.5

## Cable Specifications

Cable Length-L	500 mm
Cable Type	4 Core TPE Cable
Cross Section of Wire	0.34 sq.mm
Termination	Partially Stripped

## Protection Category

Degree of Protection	IP67
----------------------	------

## Additional Information

Custom Tariff Number	85369090
----------------------	----------

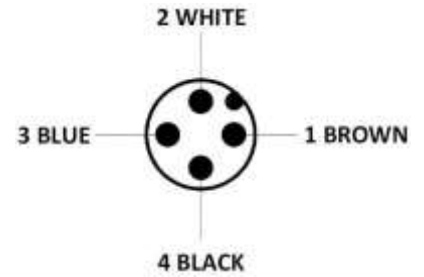
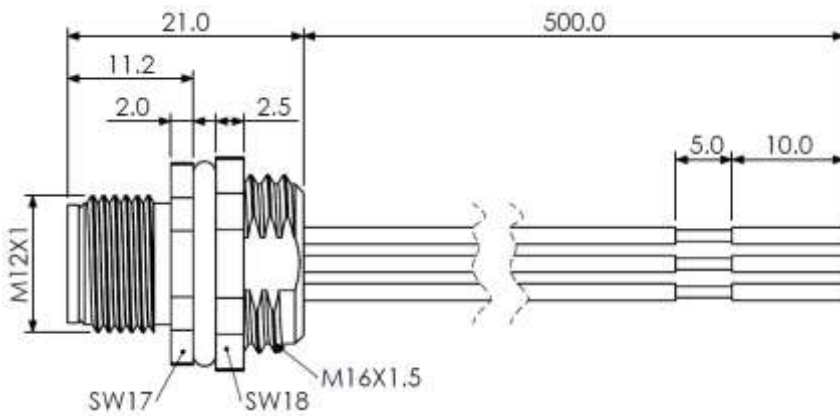
## Approvals

Standards Met	IEC 61076-2-101
---------------	-----------------

## Similar Products

Stock No.	Brand	Product Name	Attribute 1	Attribute 2
877-1145	RS PRO	RS PRO Connector, 4 Pin Panel Mount M12 Socket, Pre-Wired IP67	M12 Panel Connector Front Mount	Industrial Automation Cable Assemblies

## Connection Diagrams / Assembly Diagrams / Illustrations / Accessories



All Dimensions are in mm.

### Panel Cutout

