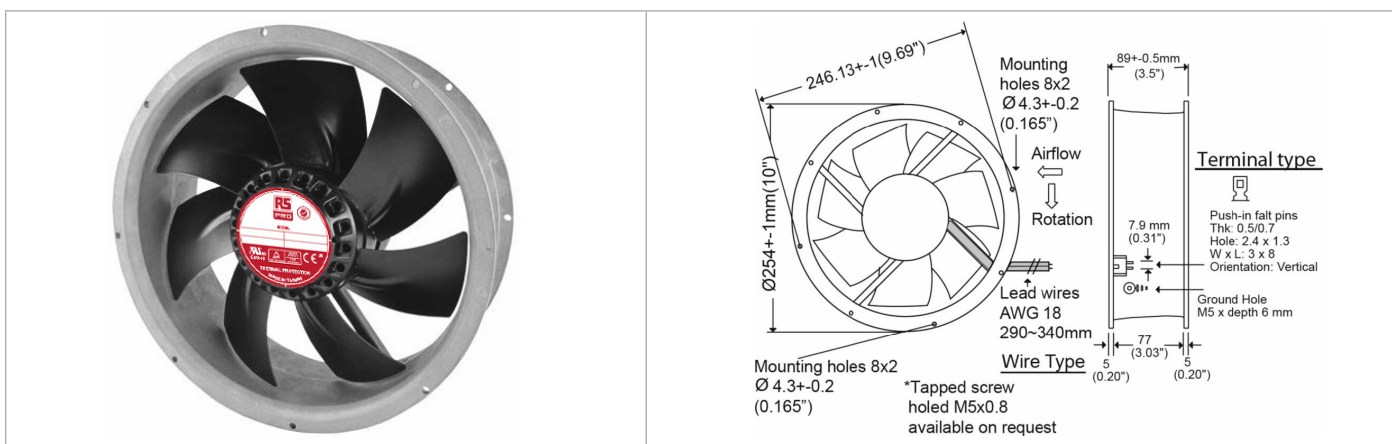




Datasheet

RS PRO AC AXIAL FAN 254×89mm, ALL METAL IP56

EN



Frame	Diecast Aluminum	<u>Operating Temperature</u> Ball Bearing -30C ~ +80C (non-condensing) Storage Temp -40C ~ +100C <u>Life Expectancy</u> Ball Bearing 50,000 hours (L10 at 55C Environmental Protection IP56 Weight: ~ 2.676 Kgs (5.9 lbs)	
Impeller	Metal Alloy		
Connection	2x Lead Wires 18 AWG or terminals		
Motor	AC Capacitor Induction, thermally protected		
Bearing System	Dual ball		
Insulation Resistance	>100M ohm between leadwire and frame (500VDC)		
Dielectric Strength	1 min at 1500 VAC, 50/60Hz		

Model Number	175-9827	175-9828
Connections	Wire Leads	Terminals
Speed (RPM)	2800 / 3250	2800 / 3250
Airflow (CFM)	840 / 1000	840 / 1000
Noise Level (dB)	70	70
Volts AC	230	230
Voltage Range	200-240	200-240
Watts	95 / 105	95 / 105
Max. Static Pressure	0.78" / 0.60"	0.78" / 0.60"