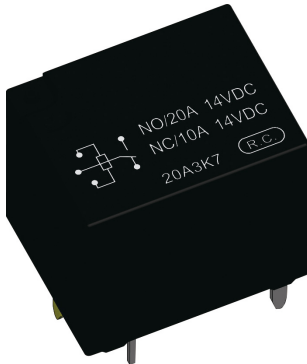


RoHS
Compliant



Features

- Compact microminiature general purpose automotive relay
- Max. Continuous Current: 35A/10min.25A/1h
- Wire temperature Class H
- Reflow soldering is available
- Max. Inrush Current: 90A
- Dimensions: 15.5mm×12.2mm×13.9mm

Specifications

Insulation Resistance		Min. 100MΩ 500V DC
Dielectric Strength	Between open contacts	550V AC, 1min.
	Between coil and contacts	550V AC, 1min.
Operate Time		Max. 10ms
Release Time		Max. 10ms
Operating Temperature	Standard	-40°C to +85°C
	Reflow	-40°C to +125°C
Humidity		35 ~ 95%RH,+40°C
Shock Resistance	Endurance	1,000m/s ²
	Misoperation	100m/s ²
Vibration Resistance	Endurance	10~55Hz, 1.5mm double amplitude
	Misoperation	10~55Hz, 1.5mm double amplitude
Weight		Approximately 6.0g

Contact Data

Contact Form		1 Form A and 1 Form C
Contact Material		Ag Alloy
Contact Resistance		Max. 100mΩ (6VDC 1A)
Load	Min. Switching Voltage	16V DC
	Max. Continuous Current	35A/10min. 25A/1h
	Max. Switching Current	35A
	Max. Inrush Current	90A
Mechanical Life		10,000,000 operations

Coil Data

Nominal Coil Power	0.64W, 0.8W
--------------------	-------------

Contact Rating

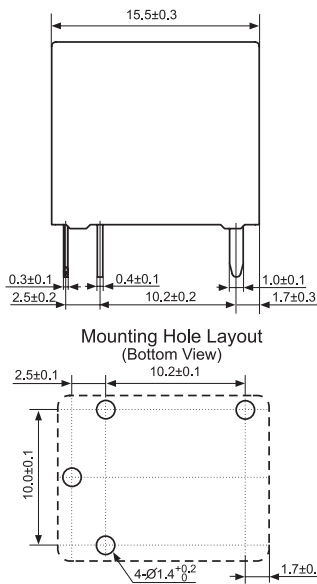
Load Type	12VDC	24VDC	Electrical Life
Resistive	NO/NC:20A/10A 14V DC	NO/NC:10A/5A 28V DC	200,000 operations
Motor	NO:25A(surge current)14V DC	NO:12.5A(surge current)28V DC	100,000 operations
Lamp	NO:8.8A(Inrush Current: 90A)14V DC	NO:4.5A(Inrush Current:45A) 28V DC	100,000 operations
Lamp	NO:6x21W 14V DC	NO:6x21W 28V DC	100,000 operations
Flash lamp	NO:3x21W 14V DC	NO:3x21W 28V DC	2000,000 operations

Coil Data

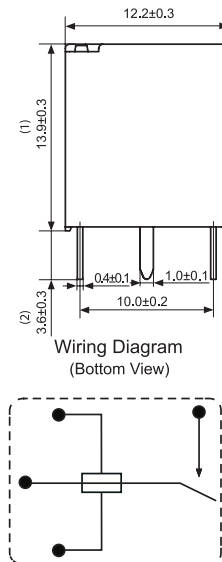
Part Number	Nominal Voltage V DC	Coil Resistance $\Omega \pm 10\%$	Operate Voltage $\leq V$ DC	Release Voltage $\geq V$ DC	Coil Power W
MP-CMA5GH-S-DC12V-A	12	225	7.2	1.2	0.64
MP-CMA5GH-S-DC24V-A	24	900	14.4	2.4	
MP-CMA5GH-S-DC12V-C	12	225	7.2	1.2	
MP-CMA5GH-S-DC24V-C	24	900	14.4	2.4	
MP-CMA5G-S-DC12V-A	12	180	7.2	1.2	0.8
MP-CMA5G-S-DC24V-A	24	720	14.4	2.4	
MP-CMA5G-S-DC12V-C	12	180	7.2	1.2	
MP-CMA5G-S-DC24V-C	24	720	14.4	2.4	

Wiring Diagram, Mounting Hole Layout

1 Form A



Outline

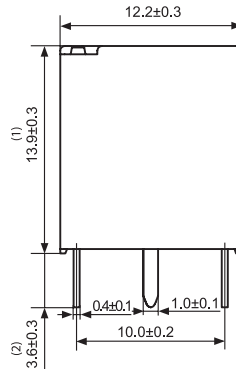
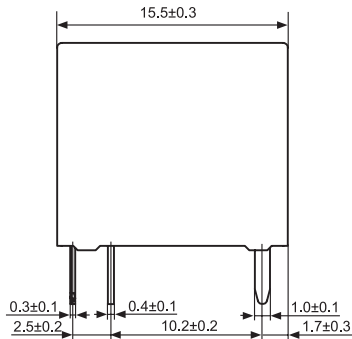


Note: Standard (1):13.9±0.3mm (2):3.6±0.3mm T-Reflow (1):14.5±0.3mm (2):3.0±0.3mm

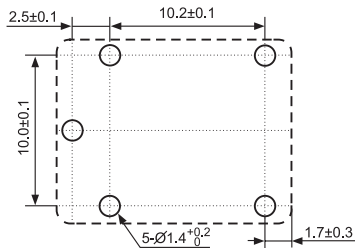
Dimensions : Millimetres

1 Form C

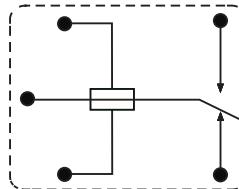
Outline



Mounting Hole Layout
(Bottom View)



Wiring Diagram
(Bottom View)



Note: Standard (1):13.9±0.3mm (2):3.6±0.3mm T-Reflow (1):14.5±0.3mm (2):3.0±0.3mm

Part Number Table

Description	Part Number
Relay PCB NO 12V DC 0.64W	MP-CMA5GH-S-DC12V-A
Relay PCB NO 24V DC 0.64W	MP-CMA5GH-S-DC24V-A
Relay PCB CO 12V DC 0.64W	MP-CMA5GH-S-DC12V-C
Relay PCB CO 24V DC 0.64W	MP-CMA5GH-S-DC24V-C
Relay PCB NO 12V DC 0.8W	MP-CMA5G-S-DC12V-A
Relay PCB NO 24V DC 0.8W	MP-CMA5G-S-DC24V-A
Relay PCB CO 12V DC 0.8W	MP-CMA5G-S-DC12V-C
Relay PCB CO 24V DC 0.8W	MP-CMA5G-S-DC24V-C

Dimensions : Millimetres

Important Notice : This data sheet and its contents (the "Information") belong to the members of the AVNET group of companies (the "Group") or are licensed to it. No licence is granted for the use of it other than for information purposes in connection with the products to which it relates. No licence of any intellectual property rights is granted. The Information is subject to change without notice and replaces all data sheets previously supplied. The Information supplied is believed to be accurate but the Group assumes no responsibility for its accuracy or completeness, any error in or omission from it or for any use made of it. Users of this data sheet should check for themselves the Information and the suitability of the products for their purpose and not make any assumptions based on information included or omitted. Liability for loss or damage resulting from any reliance on the Information or use of it (including liability resulting from negligence or where the Group was aware of the possibility of such loss or damage arising) is excluded. This will not operate to limit or restrict the Group's liability for death or personal injury resulting from its negligence. Multicomp Pro is the registered trademark of Premier Farnell Limited 2019.

Newark.com/multicomp-pro
Farnell.com/multicomp-pro
sg.element14.com/b/multicomp-pro