



ENGLISH

Datasheet

RS PRO Die Set for RS PRO Ratcheting Hand Crimping Tool Frame 492-9595 for Crimping Coaxial Type BT2002, BT2003 Connectors

Stock No: **458-412**



Features & Benefits:

- Crimp die halves are kept together with a special pin to simplify handling.
- Dies can be stored together in interlocking carrier system
- Reliable – crimping performance is consistent and accurate with a parallel action stroke.
- Easy to use – designed to give the user full visibility of the crimping process.

TECHNICAL DATA

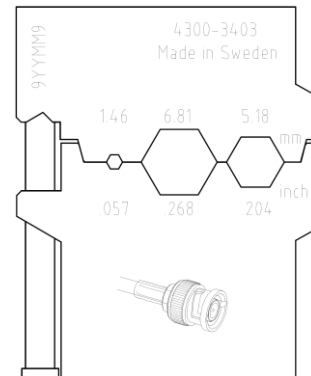
Die set 458-412 for crimping Coaxial Type BT2002, BT2003 Connectors

Crimp Nests

1.46 mm/0.057" A/F

6.81 mm/0.268" A/F

5.18 mm/0.204" A/F



Die Set (excluding carrier)

Length: 31 mm/1.22"

Width: 7.95 mm/0.31"

Height: 39 mm/1.54"

Weight: 78.5 gr/0.17 lb

Description: Mobile die set for 492-9595 crimp tool frame

Life span, cycles: 20,000