

FEATURES

- Rated currents from 30A
- 3 phase filter with standard attenuation
- Voltage rating 300 and 520VAC for world wide acceptance
- Protection against interference of voltage.

RS PRO Power Line Filters

RS Stock No.: 2378742, 2378744



RS Professionally Approved Products bring to you professional quality parts across all product categories. Our product range has been tested by engineers and provides a comparable quality to the leading brands without paying a premium price.

Product Description

- For photovoltaic systems and industrial applications
 - Three-phase motor drives
 - UPS/SMPS
- Industrial automation equipment

General Specifications

YX81 filters provide a broadband common and differential-mode attenuation performance, it still can be available when the interference is larger. Customized products according to customer's requirements

Protection against interference of voltage.

Mechanical Specifications

size 120X100X50mm (L X W X H)

weight 1.25 kgs

Electrical Specifications

Rated Voltage Max.	520VAC,50/60Hz
Operating frequency	50/60Hz
Rated currents	25A@50°C
Hipot Rating	L-N: 1600VDC,L/N-G: 4000VDC

Protection Category

according to IEC 60529 IP40

Classification

eCI@ss (Version)

UNSPSC (Version)

Approvals

Declarations CUL;TUV;CE

Hazardous Area Certification

Standards Met

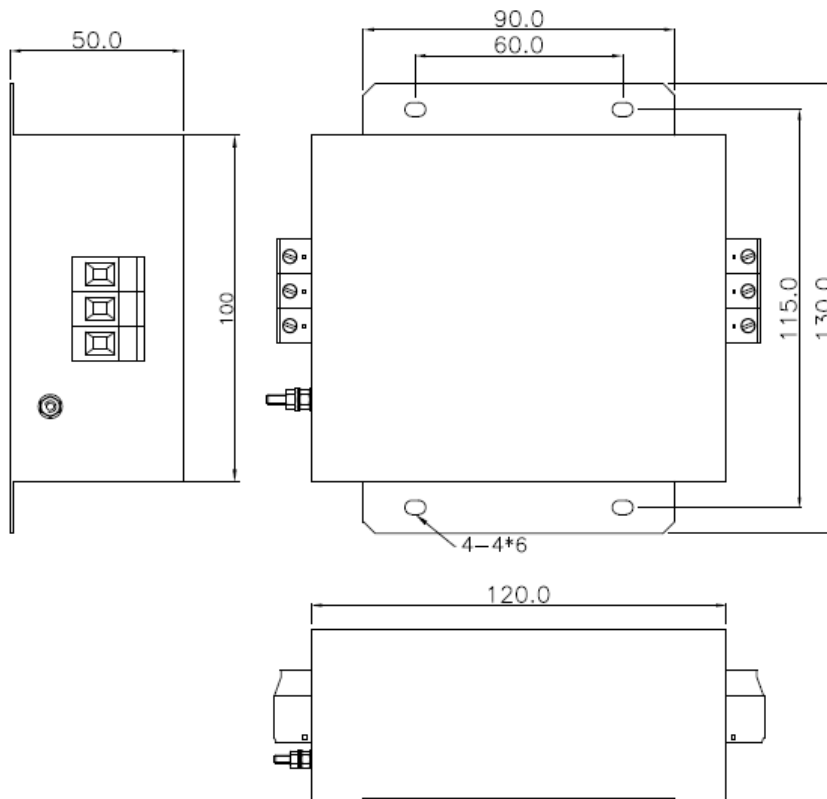
UL1283, CSA C22.2 No.8; IEC/EN 60939,;

Similar Products

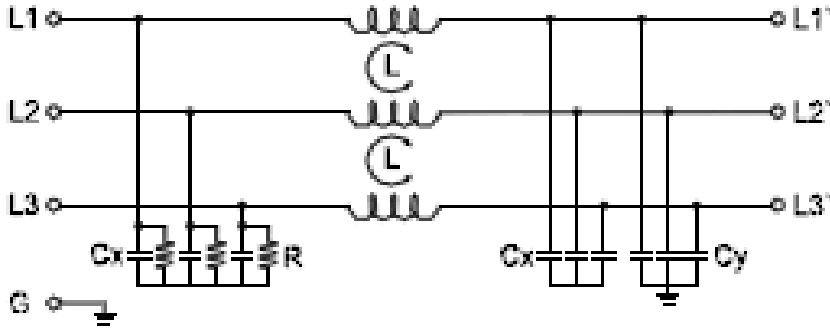
Stock No.	Brand	Product Name	Attribute 1	Attribute 2	Attribute 3
2378742, 2378744	4140691				
2378745, 2378746	7662664				

Connection Diagrams / Assembly Diagrams / Illustrations / Accessories

Physical Dimensions:



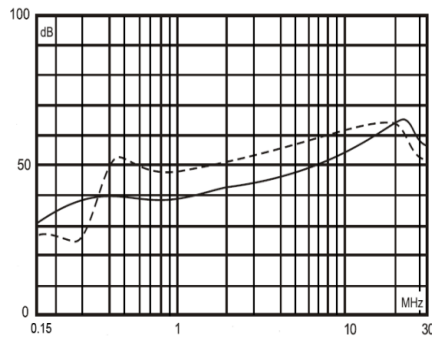
Electrical Schematic:



Insertion loss table(In 50ohm system according IEC/CISPR No.17)

———— Common mode - - - - - Differential mode

25A



packaging

