

## FEATURES

- Quick connection and disconnection
- Large range to comply food norms
- Silicon free
- Operating temperature range is from - 15 °C to + 190 °C

# RS PRO TEE CONNECTOR - FOOD GRADE

RS Stock No.: 2312774



RS PROfessionally Approved Products bring to you professional quality parts across all product categories. Our product range has been tested by engineers and provides a comparable quality to the leading brands without paying a premium price.

## Product Description

The RS PRO tee connector works in - 0.99 bar to 20 bar pressure range. It is mainly used in dairy, coffee machine, vending, food & beverage, medical, vacuum applications. It is available in brass with Food Grade coating. In combination with FEP tubes, it is the most demanded solution for the Food & Beverage market. Because of the special coating it can be used also in aggressive environment. RoHS and REACH compliant.

## General Specifications

<b>Material</b>	Nickel Plated Brass
<b>Applications</b>	Lubrication System, Cooling System, Pneumatic Machinery Equipment

## Mechanical Specifications

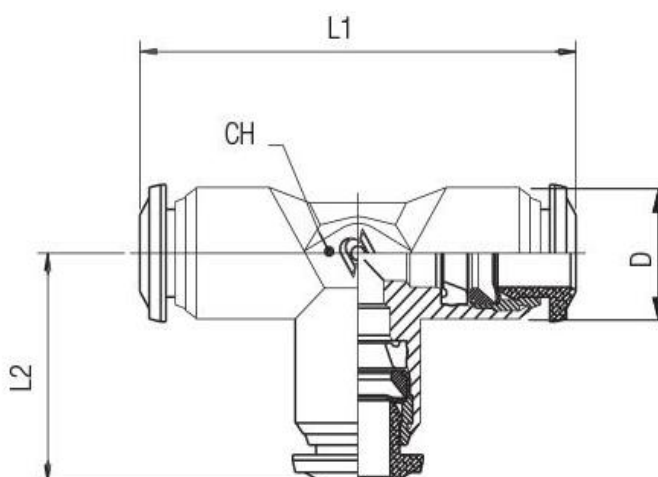
<b>Connection Type</b>	Tube
<b>Tube Connection Size</b>	6mm
<b>Hose Barb Connection</b>	8mm
<b>Mounting Hole Diameter</b>	10mm
<b>Wrench</b>	42
<b>Length</b>	11mm

## Operation Environment Specifications

<b>Minimum Operating Temperature</b>	-15°C
<b>Maximum Operating Temperature</b>	190°C

## Similar Products

Parameters	2312773	2312775
Brand	RS PRO	RS PRO
Wrench Size <sup>1</sup>	9	13
Length L1	34mm	45mm
Length L2	17mm	22.5mm



Tube	L1	L2	CH	D	Bag
6	42	21	11	12.5	10