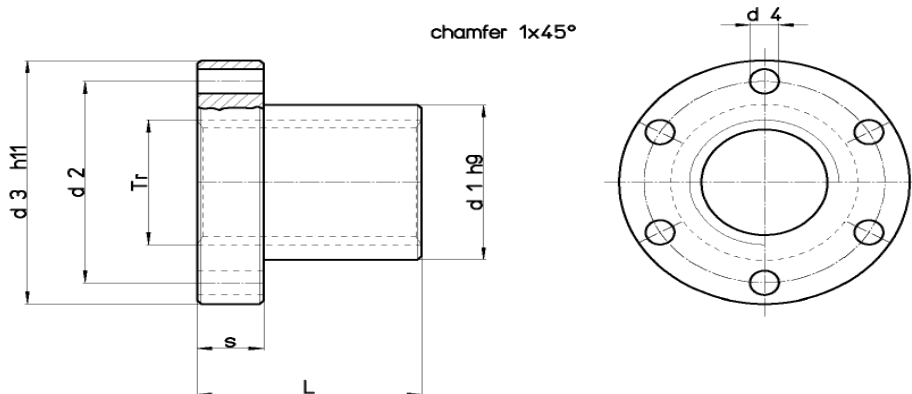


# Datasheet

## RS Trapezoidal Nut Type FFR – Flanged Bronze Material EN 1982 Sn5 Zn5 Pb5-C - CC491K



Flanged bronze nut for movement for continuous movement with good wear resistance. Good lubrication recommended.



RS Number	Screw Type	Material	Screw	Diameter x lead	Thread starts	d1 mm	d2 mm	d3 mm	d4 mm	L mm	S mm	no. Screw holes	Fastening screws ( class 8.8 )	Wt. kg/each	At mm² (1)
8625326	Trapezoidal	Bronze EN 1982 Cu Sn5 Zn5 Pb5-C -CC491K	Right	Tr 10x2	1	25	34	42	5	25	10	6	M6	0.164	250
8625329	Trapezoidal	Bronze EN 1982 Cu Sn5 Zn5 Pb5-C -CC491K	Right	Tr 12x3	1	28	38	48	6	35	12	6	M6	0.276	400
8625323	Trapezoidal	Bronze EN 1982 Cu Sn5 Zn5 Pb5-C -CC491K	Right	Tr 14x3	1	28	38	48	6	35	12	6	M6	0.272	460
8625332	Trapezoidal	Bronze EN 1982 Cu Sn5 Zn5 Pb5-C -CC491K	Right	Tr 16x4	1	28	38	48	6	35	12	6	M6	0.280	530
8625335	Trapezoidal	Bronze EN 1982 Cu Sn5 Zn5 Pb5-C -CC491K	Right	Tr 18x4	1	28	38	48	6	35	12	6	M6	0.247	610
8625339	Trapezoidal	Bronze EN 1982 Cu Sn5 Zn5 Pb5-C -CC491K	Right	Tr 20x4	1	32	45	55	6.5	44	12	6	M6	0.370	870
8625348	Trapezoidal	Bronze EN 1982 Cu Sn5 Zn5 Pb5-C -CC491K	Right	Tr 22x5	1	32	45	55	6.5	44	12	6	M6	0.380	1030
8625341	Trapezoidal	Bronze EN 1982 Cu Sn5 Zn5 Pb5-C -CC491K	Right	Tr 24x5	1	32	45	55	6.5	44	12	6	M6	0.337	1040

(1) Total bearing surface between screw and nut teeth on plane perpendicular to axis.