

Steel wall-mounting enclosures



Spacial S3D Steel wall-mounting enclosures 2/2

Selection guide 2/10

Dimensions 2/19

Accessories 2/47

Applications 2/24

Selection guide 2/26



Spacial S3DB Terminal enclosures 2/28



Spacial S3DBFL Terminal enclosures with FL21 cut-out 2/30



Spacial S3DM Distribution modular enclosures 2/32



Spacial S3HF Electromagnetic protected enclosures 2/34



Spacial S3DEX for potentially explosive atmospheres (ATEX) 2/36



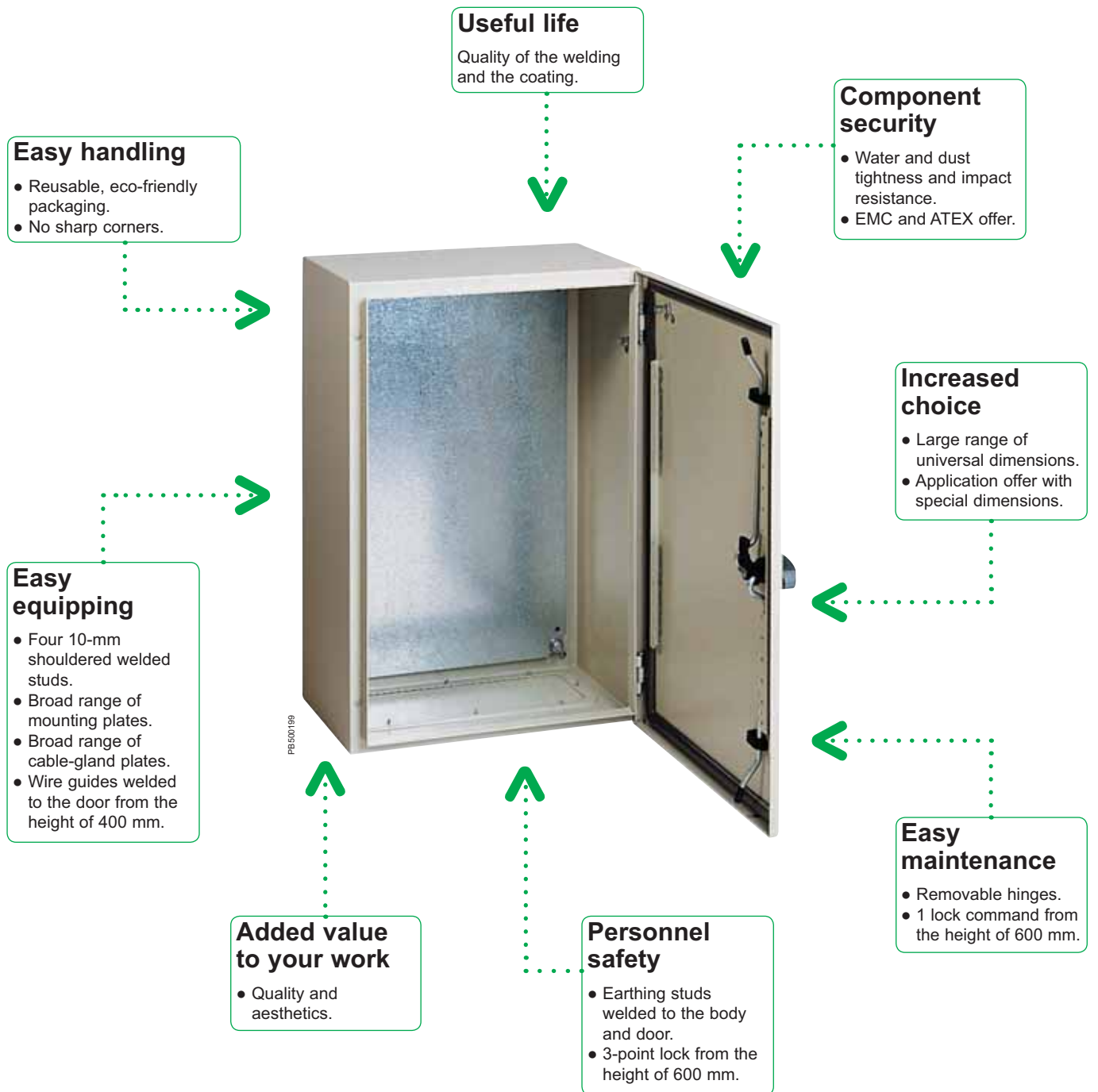
Spacial VDM 19" enclosures 2/40



Spacial S3CM Human-machine dialogue 2/66

The steel enclosure developed to help you save time

2



Specific

Optimisation of your time: with our customisation services which provide the enclosure in your colours and with your cut-outs. Please consult us.



> Composition

> Cable installation and management

1 Wall fixing

5 Installation

2 Floor-standing

6 Cable entries

3 Roof

7 Cable management

4 Viewing

8 Thermal management

9 Earthing

PB500294



Save time by having your accessories mounted in the factory!
To find out more about our Configured offer, please contact us.

Universal offer

Introduction

The universal offer

3 Material Solutions

Steel

Stainless-steel

Plastic & Polyester



steel



Discover our other ranges:
 Spacial S3X page 5/8.
 Thalassa PLM page 6/18.

We offer products that adapt to all environments.

- **Non-clean indoor industrial environment:**
Our solution: our Spacial Steel ranges.
- **Demanding indoor industrial environment:**
Our solution: our Spacial Stainless-Steel ranges.
- **Infrastructure and outdoor industrial environment:**
Our solution: our Thalassa Insulating Material ranges.

Our solutions are available as boxes, wall-mounting, floor-standing and suitable enclosures.

Spacial S3D: the steel enclosure with the greatest range of available dimensions on the market!

A complete offer of 54 dimensions from 300 × 200 × 150 to 1400 × 1000 × 300:

- With plain door, without plain mounting plate.
- With plain door and plain mounting plate.
- With transparent door, without plain mounting plate.
- Protection degree of IP 66 for the single-door enclosure (IP 55 for enclosures with two doors).
- Resistance to mechanical impacts: IK 10 plain door and IK 08 glazed door.
- Compliance with enclosure standard EN 62208 and IEC 62208.
- A broad range of accessories to conform to all your applications.
- Range completed by the dimensions of the application steel enclosures.

Spacial S3D universal enclosure

 <p style="font-size: 8px; margin: 0;">PB5500189</p>	 <p style="font-size: 8px; margin: 0;">PB5500087</p>
Enclosure with plain door	Enclosure with glazed door
Page 2/16	



For difficult atmospheres



Spacial S3DEX ATEX steel enclosure

 <p style="font-size: 8px; margin: 0;">PB5500088</p>	<ul style="list-style-type: none"> 10 references with plain door. Certified by the LCIE with n° LCIE02ATEX0037U and codical n° LCIE 02ATEX0037U/01. IP 66. Versions in stainless-steel and polyester also available.
Page 2/36	

Spacial S3HF EMC steel enclosure

 <p style="font-size: 8px; margin: 0;">PB5500205</p>	<ul style="list-style-type: none"> Manufactured from special ALUZINC 150 sheet. Good reflection of electro-magnetic waves. IP 55.
Page 2/34	

Customised Spacial steel enclosure offer

Introduction

Tailor-made enclosures with a range of efficient services

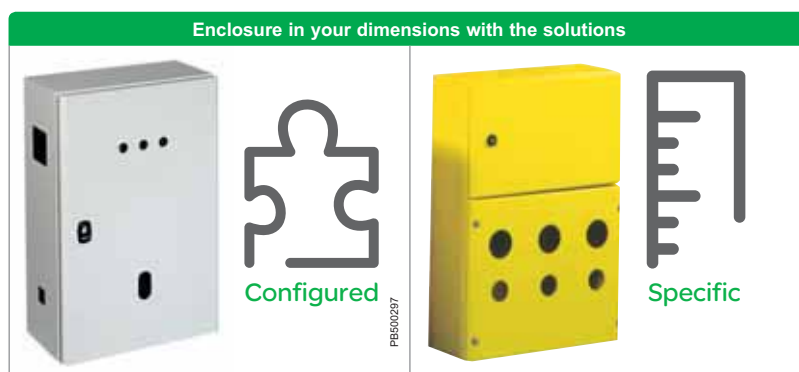
- Save time and devote yourself to cabling; we will perform your cut-outs and install your accessories.
- On request, the Spacial S3D enclosures can be delivered with:
 - Other colours.
 - Other dimensions.
 - Pre-installed accessories.
 - Machining.
 - Addition/removal of components.
 - Other finishes (beckryzinc, zinc chromate, metallisation, etc.).

Our advantages:

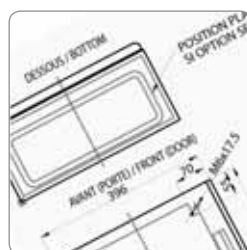
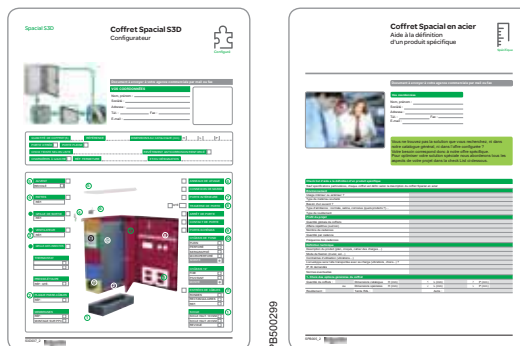
- Cut-out quality. Painting after the cut-outs have been made guarantees enhanced protection against corrosion.
- Industrial quality, maintaining the protection degree: the polyurethane gasket is applied after painting.
- Easy. A single order, a single delivery. We optimise your management and receipt of the equipment.

Discover our customised service:

- Configured offer: a service offer based on our standard offer.
- Specific offer: a service offer based on co-development with the customer.



Discover our communication tools for defining the products in our customised offer



Download our DXF diagrams from our websites.

Spacial steel enclosure application offer

Introduction

Spacial S3DB

- 10 dimensions with a depth of 150 mm and plain door.
- Ready to be equipped with a ladder mounting plate and a symmetrical DIN rail (to be ordered separately).
- IP 66.



Spacial S3DM

- 8 dimensions with a depth of 150 mm and glazed door (plain door can be ordered separately).
- Ready for being equipped with a modular mounting plate (to be ordered separately).
- 10 references of mounting plates with 24 to 240 modules.
- Earth connection to be ordered separately.
- Top and bottom cable-gland plates.
- IP 66.



Spacial S3CM

- 8 dimensions for the control enclosures.
- 1 keyboard box.
- 1 system of arms and fixed or rotating joints, support and lighting accessories.
- IP 54.



Spacial steel enclosure application offer

Introduction

Enclosure equipped with Spacial VDM 19" uprights

- 5 enclosures with fixed rack from 5 to 17 U.
- 5 enclosures with swing rack from 4 to 16 U.
- Ten 2-body enclosures, depths 400 and 500 mm.
- IP 66.



Page 6/18



Page 5/10



For difficult atmospheres

The universal offer

3 Material Solutions

Steel

Stainless-steel

Plastic Polyester



Page 6/36



Page 2/36



Page 5/16



Accessories selector page 2/47

See also the accessories

Select your range of Spacial S3D steel enclosures

2



You need an efficient sealed enclosure for an industrial facility.

Our solution: the Spacial S3D universal offer.

The enclosure with the greatest range of available dimensions on the market!

A universal enclosure with a broad range of accessories to conform to all your applications.

IP 66 water and dust tightness.

- Selection guide, page 2/10.



You need an efficient sealed enclosure for a specific application: electronics, electricity distribution, etc.

Our solution: the Spacial S3D application offer.

Offers dimensioned for your applications

Application enclosures with dimensions suited to your applications with dedicated accessories.

Offer of functional enclosures suited to your applications.

- Selection guide, page 2/26.



You need an efficient sealed enclosure for an industrial facility with specific dimensions, colours or machining.

Our solution: the customised offer.

Dimensions suited to your needs

On request, the Spacial S3D enclosures can be delivered with:

- Other colours.
- Other dimensions.
- Pre-mounted accessories.
- Machining.
- Addition/removal of components.
- Other finishes (zinc chromate, metallisation, etc.).

See our customised service:

- Configured offer.
- Specific offer.



Configured



Specific



You need an efficient sealed enclosure for an industrial facility with ATEX or EMC constraints.

Our solution: the offer for difficult environments.

Enclosures suited to different environments

ATEX environment, EMC, outdoor installation, etc.

IP 55 and IP 66 water and dust tightness.

Pages: 2/36, 2/34.





Environment		Pages
Indoor or outdoor use?		9/4
Type of atmosphere: normal, salt mist, corrosive (which products?)		2/4
Is a canopy required? (Y/N)		2/56
Type of material desired (Steel / Stainless steel / Polyester)		2/4
Loads to be supported: by the enclosure, by the doors, etc.		2/5
Technical Definition		
IP ____ IK ____		2/16
Height (H) × Width (W) × Depth (D)		2/10 2/16
Installation: on the wall by fixing lugs, or direct – reinforcement for heavy load, on the floor (plinth, page 2/53) or on a post (post-fixing device page 2/51).		2/48
DOOR		
Transparent (glazed door, window, etc.) – choice of window.		7/136
Electrical continuity by earthing braids or others (to be specified)		7/140
Cable-management accessories on the door (cable-duct support, door cross-rails)		7/121
Maintenance accessories (door stop, door switch, etc.)		7/135
BODY		
Cable entry (cable-gland plate)		2/62
Cable entry (cable gland) and cable support		7/100
MOUNTING PLATE		
Mounting plate type (plain/micro-perforated/perforated/modular/19")		2/62
Cable-management accessories on the mounting plate (cable ducts)		7/121
THERMAL		
Ventilation louvres, ventilation grilles, forced ventilation, resistance heater, thermostat – help with the thermal balance, page 8/115		8/14
LOGISTICS AND HANDLING		
Eyebolts		2/56
Delivery location, delivery method, unloading method		



Wall-mounting steel enclosures

Selection guide



2

Specifications						Spacial S3D				
Dimensions (1)			N° of doors	IP	Weight (kg)*	Plain door		Glazed door	Plain mounting plate	Silkscreened mounting plate (2)
						With mounting plate	Without mounting plate	Without mounting plate		
H	W	D	Page 2/16						Page 7/2	
300	200	150	1	66	3.02	NSYS3D3215P	NSYS3D3215		NSYMM32	
300	250	150	1	66	3.48	NSYS3D32515P	NSYS3D32515	NSYS3D32515T	NSYMM3025	
300	300	150	1	66	3.90	NSYS3D3315P	NSYS3D3315	NSYS3D3315T	NSYMM33	
300	300	200	1	66	4.50	NSYS3D3320P	NSYS3D3320	NSYS3D3320T	NSYMM33	
300	400	150	1	66	4.82	NSYS3D3415P	NSYS3D3415	NSYS3D3415T	NSYMM43	NSYMS43
300	400	200	1	66	5.60	NSYS3D3420P	NSYS3D3420	NSYS3D3420T	NSYMM43	NSYMS43
400	300	150	1	66	4.90	NSYS3D4315P	NSYS3D4315	NSYS3D4315T	NSYMM43	NSYMS43
400	300	200	1	66	5.00	NSYS3D4320P	NSYS3D4320	NSYS3D4320T	NSYMM43	NSYMS43
400	400	200	1	66	6.50	NSYS3D4420P	NSYS3D4420	NSYS3D4420T	NSYMM44	NSYMS44
400	600	200	1	66	10.50	NSYS3D4620P	NSYS3D4620	NSYS3D4620T	NSYMM64	NSYMS64
400	600	250	1	66	12.00	NSYS3D4625P	NSYS3D4625	NSYS3D4625T	NSYMM64	NSYMS64
500	300	200	1	66	7.50	NSYS3D5320P	NSYS3D5320	NSYS3D5320T	NSYMM53	NSYMS53
500	400	200	1	66	9.30	NSYS3D5420P	NSYS3D5420	NSYS3D5420T	NSYMM54	NSYMS54
500	400	250	1	66	10.20	NSYS3D5425P	NSYS3D5425	NSYS3D5425T	NSYMM54	NSYMS54
500	500	200	1	66	11.18	NSYS3D5520P	NSYS3D5520	NSYS3D5520T	NSYMM55	NSYMS55
500	500	250	1	66	12.06	NSYS3D5525P	NSYS3D5525	NSYS3D5525T	NSYMM55	NSYMS55
600	400	200	1	66	11.00	NSYS3D6420P	NSYS3D6420	NSYS3D6420T	NSYMM64	NSYMS64
600	400	250	1	66	12.00	NSYS3D6425P	NSYS3D6425	NSYS3D6425T	NSYMM64	NSYMS64
600	500	250	1	66	16.20	NSYS3D6525P	NSYS3D6525	NSYS3D6525T	NSYMM65	NSYMS65
600	600	200	1	66	14.00	NSYS3D6620P	NSYS3D6620	NSYS3D6620T	NSYMM66	NSYMS66
600	600	250	1	66	15.00	NSYS3D6625P	NSYS3D6625	NSYS3D6625T	NSYMM66	NSYMS66
600	600	300	1	66	17.00	NSYS3D6630P	NSYS3D6630	NSYS3D6630T	NSYMM66	NSYMS66
600	600	400	1	66	19.00	NSYS3D6640P	NSYS3D6640	NSYS3D6640T	NSYMM66	NSYMS66
600	800	300	1	66	25.50	NSYS3D6830P	NSYS3D6830	NSYS3D6830T	NSYMM86	NSYMS86
700	500	250	1	66	15.00	NSYS3D7525P	NSYS3D7525	NSYS3D7525T	NSYMM75	NSYMS75
800	600	200	1	66	21.00	NSYS3D8620P	NSYS3D8620	NSYS3D8620T	NSYMM86	NSYMS86
800	600	250	1	66	23.00	NSYS3D8625P	NSYS3D8625	NSYS3D8625T	NSYMM86	NSYMS86
800	600	300	1	66	25.00	NSYS3D8630P	NSYS3D8630	NSYS3D8630T	NSYMM86	NSYMS86
800	600	400	1	66	29.00	NSYS3D8640P	NSYS3D8640	NSYS3D8640T	NSYMM86	NSYMS86
800	800	250	1	66	30.00	NSYS3D8825P	NSYS3D8825	NSYS3D8825T	NSYMM88	NSYMS88
800	800	300	1	66	32.00	NSYS3D8830P	NSYS3D8830	NSYS3D8830T	NSYMM88	NSYMS88
800	1000	300	1	66	38.00	NSYS3D81030P	NSYS3D81030		NSYMM108	
800	1000	300	2	55	43.50	NSYS3D81030DP	NSYS3D81030D		NSYMM108	
800	1200	300	2	55	46.00	NSYS3D81230DP	NSYS3D81230D		NSYMM128	
1000	600	250	1	66	28.00	NSYS3D10625P	NSYS3D10625	NSYS3D10625T	NSYMM106	
1000	600	300	1	66	30.60	NSYS3D10630P	NSYS3D10630	NSYS3D10630T	NSYMM106	
1000	600	400	1	66	33.00	NSYS3D10640P	NSYS3D10640	NSYS3D10640T	NSYMM106	
1000	800	250	1	66	35.00	NSYS3D10825P	NSYS3D10825	NSYS3D10825T	NSYMM108	
1000	800	300	1	66	38.00	NSYS3D10830P	NSYS3D10830	NSYS3D10830T	NSYMM108	
1000	800	400	1	66	42.00	NSYS3D10840P	NSYS3D10840	NSYS3D10840T	NSYMM108	
1000	1000	300	1	66	46.00	NSYS3D101030P	NSYS3D101030	NSYS3D101030T	NSYMM1010	
1000	1000	300	2	55	46.00	NSYS3D101030DP	NSYS3D101030D	NSYS3D101030DT	NSYMM1010	
1000	1200	300	2	55	53.00	NSYS3D101230DP	NSYS3D101230D		NSYMM1210	
1000	1200	400	2	55	60.00	NSYS3D101240DP	NSYS3D101240D		NSYMM1210	
1200	600	300	1	66	37.00	NSYS3D12630P	NSYS3D12630	NSYS3D12630T	NSYMM126	
1200	600	400	1	66	42.00	NSYS3D12640P	NSYS3D12640	NSYS3D12640T	NSYMM126	
1200	800	300	1	66	45.00	NSYS3D12830P	NSYS3D12830	NSYS3D12830T	NSYMM128	
1200	800	400	1	66	49.00	NSYS3D12840P	NSYS3D12840	NSYS3D12840T	NSYMM128	
1200	1000	300	1	66	53.00	NSYS3D121030P	NSYS3D121030	NSYS3D121030T	NSYMM1210	
1200	1000	300	2	55	54.00	NSYS3D121030DP	NSYS3D121030D	NSYS3D121030DT	NSYMM1210	
1200	1000	400	2	55	61.00	NSYS3D121040DP	NSYS3D121040D		NSYMM1210	
1200	1200	300	2	55	64.00	NSYS3D121230DP	NSYS3D121230D		NSYMM1212	
1200	1200	400	2	55	90.00	NSYS3D121240DP	NSYS3D121240D		NSYMM1212	
1400	1000	300	2	55	80.00	NSYS3D141030DP	NSYS3D141030D		NSYMM1410	

(1) For other dimensions, see our application offer.
 (2) In inverted use, the marking is inverted.

*Enclosure without mounting plate.

Wall-fixing lugs
 Steel: NSYAEFPFSC
 Stainless steel: NSYAEFPFXSC
 Page 2/48

Reinforcement for heavy loads
 NSYAEFAHLBSC
 Page 2/48

Locking accessories
 Page 2/57

Spacial S3D



Mounting plate						Electricity distribution			
Micro-perforated mounting plate	Telequick mounting plate	Bakelite mounting plate	DIN rail chassis	Type	Aluminium vertical rails (3)	DLA Insulated modular chassis	DLM Steel modular chassis	N° of modules	Door cross-rails
Page 7/3	Page 7/4	Page 7/5	Page 7/6		Page 7/9	Page 6/33	Page 7/70		Page 7/116
NSYMF32	NSYMR32	NSYMB32			NSYMDVR3				
	NSYMR3025	NSYMB3025			NSYMDVR3				
NSYMF33	NSYMR33	NSYMB33	NSYMD33	B	NSYMDVR3				
NSYMF33	NSYMR33	NSYMB33	NSYMD33	B	NSYMDVR3				
NSYMF43	NSYMR34	NSYMB43			NSYMDVR3				
NSYMF43	NSYMR34	NSYMB43			NSYMDVR3				
NSYMF43	NSYMR43	NSYMB43	NSYMD43	B	NSYMDVR4		NSYDLM24	24	
NSYMF43	NSYMR43	NSYMB43	NSYMD43	B	NSYMDVR4	NSYDLA24	NSYDLM24	24	
NSYMF44	NSYMR44				NSYMDVR4				NSYTFPCR4
NSYMF64	NSYMR46	NSYMB64			NSYMDVR4				NSYTFPCR6
NSYMF64	NSYMR46	NSYMB64			NSYMDVR4				NSYTFPCR6
NSYMF53	NSYMR53				NSYMDVR5				
NSYMF54	NSYMR54	NSYMB54	NSYMD54	B	NSYMDVR5	NSYDLA48	NSYDLM48	48	NSYTFPCR4
NSYMF54	NSYMR54	NSYMB54	NSYMD54	B	NSYMDVR5		NSYDLM48	48	NSYTFPCR4
NSYMF55	NSYMR55				NSYMDVR5				NSYTFPCR5
NSYMF55	NSYMR55				NSYMDVR5				NSYTFPCR5
NSYMF64	NSYMR64	NSYMB64	NSYMD64	B	NSYMDVR6	NSYDLA48P	NSYDLM48P	48	NSYTFPCR4
NSYMF64	NSYMR64	NSYMB64	NSYMD64	B	NSYMDVR6	NSYDLA48P	NSYDLM48P	48	NSYTFPCR4
NSYMF65	NSYMR65	NSYMB65			NSYMDVR6				
NSYMF66	NSYMR66		NSYMD66	A	NSYMDVR6		NSYDLM84P	84	NSYTFPCR6
NSYMF66	NSYMR66		NSYMD66	A	NSYMDVR6		NSYDLM84P	84	NSYTFPCR6
NSYMF66	NSYMR66		NSYMD66	A	NSYMDVR6		NSYDLM84P	84	NSYTFPCR6
NSYMF66	NSYMR66		NSYMD66	A	NSYMDVR6		NSYDLM84P	84	NSYTFPCR6
NSYMF86	NSYMR86	NSYMB86	NSYMD86	A	NSYMDVR6				NSYTFPCR8
NSYMF75	NSYMR75	NSYMB75	NSYMD75	B	NSYMDVR7	NSYDLA66	NSYDLM66	66	NSYTFPCR5
NSYMF86	NSYMR86	NSYMB86	NSYMD86	A	NSYMDVR8	NSYDLA84/NSYDLA112	NSYDLM84	84*	NSYTFPCR6
NSYMF86	NSYMR86	NSYMB86	NSYMD86	A	NSYMDVR8	NSYDLA84/NSYDLA112	NSYDLM112	112*	NSYTFPCR6
NSYMF86	NSYMR86	NSYMB86	NSYMD86	A	NSYMDVR8	NSYDLA84/NSYDLA112	NSYDLM112	112*	NSYTFPCR6
NSYMF86	NSYMR86	NSYMB86	NSYMD86	A	NSYMDVR8	NSYDLA84/NSYDLA112	NSYDLM112	112*	NSYTFPCR6
NSYMF88	NSYMR88				NSYMDVR8				NSYTFPCR8
NSYMF88	NSYMR88				NSYMDVR8				NSYTFPCR8
NSYMF108	NSYMR810	NSYMB108			NSYMDVR8				NSYTFPCR10
NSYMF108	NSYMR810	NSYMB108			NSYMDVR8				NSYTFPCR10
NSYMF128	2 x NSYMR86+	2 x NSYMB86+	2 x NSYMD86+	A	NSYMDVR8				
NSYMF106	NSYMR106	NSYMB106			NSYMDVR10		NSYDLM168	168**	NSYTFPCR6
NSYMF106	NSYMR106	NSYMB106			NSYMDVR10		NSYDLM168	168**	NSYTFPCR6
NSYMF106	NSYMR106	NSYMB106			NSYMDVR10		NSYDLM168	168**	NSYTFPCR6
NSYMF108	NSYMR108	NSYMB108	NSYMD108	A	NSYMDVR10	NSYDLA234	NSYDLM240	240	NSYTFPCR8
NSYMF108	NSYMR108	NSYMB108	NSYMD108	A	NSYMDVR10	NSYDLA234	NSYDLM240	240	NSYTFPCR8
NSYMF108	NSYMR108	NSYMB108	NSYMD108	A	NSYMDVR10	NSYDLA234	NSYDLM240	240	NSYTFPCR8
NSYMF1010	NSYMR1010 (4)				NSYMDVR10				NSYTFPCR10
NSYMF1010	NSYMR1010 (4)				NSYMDVR10				NSYTFPCR10
NSYMF1210	NSYMR1012 (4)	NSYMB1210			NSYMDVR10				
NSYMF1210	NSYMR1012 (4)	NSYMB1210			NSYMDVR10				
NSYMF126					NSYMDVR12				
NSYMF126					NSYMDVR12				
NSYMF128	NSYMR128		NSYMD128	A	NSYMDVR12				NSYTFPCR8
NSYMF128	NSYMR128		NSYMD128	A	NSYMDVR12				NSYTFPCR8
NSYMF1210	NSYMR1210 (4)	NSYMB1210			NSYMDVR12				NSYTFPCR10
NSYMF1210	NSYMR1210 (4)	NSYMB1210			NSYMDVR12				NSYTFPCR10
NSYMF1210	NSYMR1210 (4)	NSYMB1210			NSYMDVR12				NSYTFPCR10
2 x NSYMF126+	2 x NSYMR126+				NSYMDVR12				
2 x NSYMF126+	2 x NSYMR126+				NSYMDVR12				
	NSYMR1410 (4)				NSYMDVR12				

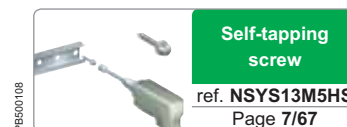
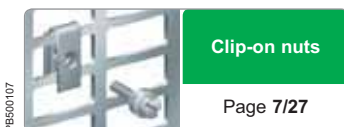
+ Order **NSYCRNGSDR** for double mounting of the mounting plates.

(3) Order nuts ref. **NSYAMCSF**. Steel siderail ref. **NSYMDVR12**.

(4) When width \geq 1000 ref. **NSYEMR** is mandatory (see on page 2/21).

* Possible assembling to ref. NSYDLM84P or NSYDLM112.

** Possible assembling to ref. NSYDLM168 or NSYDLM240.



Wall-mounting steel enclosures

Selection guide


2



Dimensions (5)			Electronics and networks				Cable-entry accessories				
			19" racks				Cable-gland plates				
			Fixed	Number of U	Swing	Number of U	Entry type	Standard steel	Steel with knock-outs	Aluminium	Steel with cut-out for FL membrane (6)
H	W	D	Page 2/46			Page 2/62	Page 2/63	Page 2/64	Page 2/63	Page 2/65	
300	200	150					A	NSYTLA	NSYTLAK	NSYTLAU	
300	250	150					A	NSYTLA	NSYTLAK	NSYTLAU	
300	300	150					B	NSYTLB	NSYTLBK	NSYTLBU	NSYTLBFL
300	300	200					C	NSYTLC	NSYTLCK	NSYTLCU	NSYTL CFL
300	400	150					B	NSYTLB	NSYTLBK	NSYTLBU	NSYTLBFL
300	400	200					D	NSYTLD	NSYTLDK	NSYTLDU	NSYTLDFL
400	300	150					B	NSYTLB	NSYTLBK	NSYTLBU	NSYTLBFL
400	300	200					C	NSYTLC	NSYTLCK	NSYTLCU	NSYTL CFL
400	400	200					D	NSYTLD	NSYTLDK	NSYTLDU	NSYTLDFL
400	600	200	NSYVDM8UF	8	NSYVDM7UP	7	F	NSYTLF	NSYTLFK	NSYTLFU	NSYTLFFL
400	600	250	NSYVDM8UF	8	NSYVDM7UP	7	F	NSYTLF	NSYTLFK	NSYTLFU	NSYTLFFL
500	300	200					C	NSYTLC	NSYTLCK	NSYTLCU	NSYTL CFL
500	400	200					D	NSYTLD	NSYTLDK	NSYTLDU	NSYTLDFL
500	400	250					D	NSYTLD	NSYTLDK	NSYTLDU	NSYTLDFL
500	500	200					E	NSYTLE	NSYTLEK	NSYTLEU	NSYTLEFL
500	500	250					E	NSYTLE	NSYTLEK	NSYTLEU	NSYTLEFL
600	400	200					D	NSYTLD	NSYTLDK	NSYTLDU	NSYTLDFL
600	400	250					D	NSYTLD	NSYTLDK	NSYTLDU	NSYTLDFL
600	500	250					E	NSYTLE	NSYTLEK	NSYTLEU	NSYTLEFL
600	600	200	NSYVDM12UF	12	NSYVDM11UP	11	F	NSYTLF	NSYTLFK	NSYTLFU	NSYTLFFL
600	600	250	NSYVDM12UF	12	NSYVDM11UP	11	F	NSYTLF	NSYTLFK	NSYTLFU	NSYTLFFL
600	600	300	NSYVDM12UF	12	NSYVDM11UP	11	G	NSYTLG	NSYTLGK	NSYTLGU	NSYTLG2FL**
600	600	400	NSYVDM12UF	12	NSYVDM11UP	11	G	NSYTLG	NSYTLGK	NSYTLGU	NSYTLG2FL**
600	800	300					D*	NSYTLD	NSYTLDK	NSYTLDU	NSYTLDFL
700	500	250					E	NSYTLE	NSYTLEK	NSYTLEU	NSYTLEFL
800	600	200	NSYVDM17UF	17	NSYVDM16UP	16	F	NSYTLF	NSYTLFK	NSYTLFU	NSYTLFFL
800	600	250	NSYVDM17UF	17	NSYVDM16UP	16	F	NSYTLF	NSYTLFK	NSYTLFU	NSYTLFFL
800	600	300	NSYVDM17UF	17	NSYVDM16UP	16	G	NSYTLG	NSYTLGK	NSYTLGU	NSYTLG2FL**
800	600	400	NSYVDM17UF	17	NSYVDM16UP	16	G	NSYTLG	NSYTLGK	NSYTLGU	NSYTLG2FL**
800	800	250					D*	NSYTLD	NSYTLDK	NSYTLDU	NSYTLDFL
800	800	300					D*	NSYTLD	NSYTLDK	NSYTLDU	NSYTLDFL
800	1000	300					E*	NSYTLE	NSYTLEK	NSYTLEU	NSYTLEFL
800	1000	300					E*	NSYTLE	NSYTLEK	NSYTLEU	NSYTLEFL
800	1200	300					E*	NSYTLE	NSYTLEK	NSYTLEU	NSYTLEFL
1000	600	250	NSYVDM21UF	21	NSYVDM20UP	20	F	NSYTLF	NSYTLFK	NSYTLFU	NSYTLFFL
1000	600	300	NSYVDM21UF	21	NSYVDM20UP	20	G	NSYTLG	NSYTLGK	NSYTLGU	NSYTLG2FL**
1000	600	400	NSYVDM21UF	21	NSYVDM20UP	20	G	NSYTLG	NSYTLGK	NSYTLGU	NSYTLG2FL**
1000	800	250					D*	NSYTLD	NSYTLDK	NSYTLDU	NSYTLDFL
1000	800	300					D*	NSYTLD	NSYTLDK	NSYTLDU	NSYTLDFL
1000	800	400					D*	NSYTLD	NSYTLDK	NSYTLDU	NSYTLDFL
1000	1000	300					E*	NSYTLE	NSYTLEK	NSYTLEU	NSYTLEFL
1000	1000	300					E*	NSYTLE	NSYTLEK	NSYTLEU	NSYTLEFL
1000	1200	300					E*	NSYTLE	NSYTLEK	NSYTLEU	NSYTLEFL
1000	1200	400					E*	NSYTLE	NSYTLEK	NSYTLEU	NSYTLEFL
1200	600	300					G	NSYTLG	NSYTLGK	NSYTLGU	NSYTLG2FL**
1200	600	400					G	NSYTLG	NSYTLGK	NSYTLGU	NSYTLG2FL**
1200	800	300					D*	NSYTLD	NSYTLDK	NSYTLDU	NSYTLDFL
1200	800	400					D*	NSYTLD	NSYTLDK	NSYTLDU	NSYTLDFL
1200	1000	300					E*	NSYTLE	NSYTLEK	NSYTLEU	NSYTLEFL
1200	1000	300					E*	NSYTLE	NSYTLEK	NSYTLEU	NSYTLEFL
1200	1000	400					E*	NSYTLE	NSYTLEK	NSYTLEU	NSYTLEFL
1200	1200	300					E*	NSYTLE	NSYTLEK	NSYTLEU	NSYTLEFL
1200	1200	400					E*	NSYTLE	NSYTLEK	NSYTLEU	NSYTLEFL
1400	1000	300					E*	NSYTLE	NSYTLEK	NSYTLEU	NSYTLEFL

(5) For other dimensions, see our application offer, page 2/26.
 (6) FL13 for entry type A and B
 FL21 for all other entries.

* 2 plates.
 ** Exists with 1 cut-out NSYTLGFL.



Earthing strip
 ref. NSYEDCOC
 Page 7/140



Cable gland
 Page 7/110



Other cable entries
 Page 7/108

Spacial S3D



Composition accessories


Internal door (7)	Step slides	Canopy	Fixing on post	Full width wall fixing lugs	Lateral plinth**		Plain front plinth (8)**		Support pillar adaptation plate	Support pillar
					100 mm	200 mm	100 mm	200 mm		
Page 2/61	Page 7/8	Page 2/56	Page 2/51	Page 2/53				Page 2/52		
		NSYTJ2015		NSYAEFPFS3DW20						
		NSYTJ2515		-						
		NSYTJ3015	NSYSFPSC30	NSYAEFPFS3DW30					NSYAEFP315S3D	NSYCOCN80
	NSYSDCR200	NSYTJ3020	NSYSFPSC30	NSYAEFPFS3DW30					NSYAEFP32S3D	NSYCOCN80
		NSYTJ4015	NSYSFPSC40	NSYAEFPFS3DW40					NSYAEFP315S3D	NSYCOCN80
	NSYSDCR200	NSYTJ4020	NSYSFPSC40	NSYAEFPFS3DW40					NSYAEFP42S3D	NSYCOCN80
NSYPIN43		NSYTJ3015	NSYSFPSC30	NSYAEFPFS3DW30					NSYAEFP315S3D	NSYCOCN80
NSYPIN43	NSYSDCR200	NSYTJ3020	NSYSFPSC30	NSYAEFPFS3DW30					NSYAEFP32S3D	NSYCOCN80
	NSYSDCR200	NSYTJ4020	NSYSFPSC40	NSYAEFPFS3DW40					NSYAEFP42S3D	NSYCOCN80
	NSYSDCR200	NSYTJ6020	NSYSFPSC60	NSYAEFPFS3DW60						
	NSYSDCR250	NSYTJ6025	NSYSFPSC60	NSYAEFPFS3DW60						
	NSYSDCR200	NSYTJ3020	NSYSFPSC30	NSYAEFPFS3DW30					NSYAEFP32S3D	NSYCOCN80
NSYPIN54	NSYSDCR200	NSYTJ4020	NSYSFPSC40	NSYAEFPFS3DW40					NSYAEFP42S3D	NSYCOCN80
NSYPIN54	NSYSDCR250	NSYTJ4025	NSYSFPSC40	NSYAEFPFS3DW40					NSYAEFP42S3D	NSYCOCN80
	NSYSDCR200	NSYTJ5020	NSYSFPSC50	NSYAEFPFS3DW50						
	NSYSDCR250	NSYTJ5025	NSYSFPSC50	NSYAEFPFS3DW50						
NSYPIN64	NSYSDCR200	NSYTJ4020	NSYSFPSC40	NSYAEFPFS3DW40					NSYAEFP42S3D	NSYCOCN80
NSYPIN64	NSYSDCR250	NSYTJ4025	NSYSFPSC40	NSYAEFPFS3DW40					NSYAEFP42S3D	NSYCOCN80
	NSYSDCR250	NSYTJ5025	NSYSFPSC50	NSYAEFPFS3DW50						
	NSYSDCR200	NSYTJ6020	NSYSFPSC60	NSYAEFPFS3DW60						
	NSYSDCR250	NSYTJ6025	NSYSFPSC60	NSYAEFPFS3DW60						
	NSYSDCR300	NSYTJ6030	NSYSFPSC60	NSYAEFPFS3DW60	NSYSPS3100SD	NSYSPS3200SD	NSYSPPF6100	NSYSPPF6200		
	NSYSDCR400	NSYTJ6040	NSYSFPSC60	NSYAEFPFS3DW60	NSYSPS4100SD	NSYSPS4200SD	NSYSPPF6100	NSYSPPF6200		
	NSYSDCR300	NSYTJ8030	NSYSFPSC80	NSYAEFPFS3DW80	NSYSPS3100SD	NSYSPS3200SD	NSYSPPF8100	NSYSPPF8200		
NSYPIN75	NSYSDCR250	NSYTJ5025	NSYSFPSC50	NSYAEFPFS3DW50						
NSYPIN86	NSYSDCR200	NSYTJ6020	NSYSFPSC60	NSYAEFPFS3DW60						
NSYPIN86	NSYSDCR250	NSYTJ6025	NSYSFPSC60	NSYAEFPFS3DW60						
NSYPIN86	NSYSDCR300	NSYTJ6030	NSYSFPSC60	NSYAEFPFS3DW60	NSYSPS3100SD	NSYSPS3200SD	NSYSPPF6100	NSYSPPF6200		
NSYPIN86	NSYSDCR400	NSYTJ6040	NSYSFPSC60	NSYAEFPFS3DW60	NSYSPS4100SD	NSYSPS4200SD	NSYSPPF6100	NSYSPPF6200		
	NSYSDCR250	NSYTJ8025	NSYSFPSC80	NSYAEFPFS3DW80						
	NSYSDCR300	NSYTJ8030	NSYSFPSC80	NSYAEFPFS3DW80	NSYSPS3100SD	NSYSPS3200SD	NSYSPPF8100	NSYSPPF8200		
	NSYSDCR300	NSYTJ10030		NSYAEFPFS3DW100	NSYSPS3100SD	NSYSPS3200SD	NSYSPPF10100	NSYSPPF10200		
	NSYSDCR300	NSYTJ10030		NSYAEFPFS3DW100	NSYSPS3100SD	NSYSPS3200SD	NSYSPPF10100	NSYSPPF10200		
NSYPIN106	NSYSDCR300*	NSYTJ12030		NSYAEFPFS3DW120						
NSYPIN106	NSYSDCR250	NSYTJ6025		NSYAEFPFS3DW60						
NSYPIN106	NSYSDCR300	NSYTJ6030		NSYAEFPFS3DW60	NSYSPS3100SD	NSYSPS3200SD	NSYSPPF6100	NSYSPPF6200		
NSYPIN106	NSYSDCR400	NSYTJ6040		NSYAEFPFS3DW60	NSYSPS4100SD	NSYSPS4200SD	NSYSPPF6100	NSYSPPF6200		
NSYPIN108	NSYSDCR250	NSYTJ8025		NSYAEFPFS3DW80						
NSYPIN108	NSYSDCR300	NSYTJ8030		NSYAEFPFS3DW80	NSYSPS3100SD	NSYSPS3200SD	NSYSPPF8100	NSYSPPF8200		
NSYPIN108	NSYSDCR400	NSYTJ8040		NSYAEFPFS3DW80	NSYSPS4100SD	NSYSPS4200SD	NSYSPPF8100	NSYSPPF8200		
	NSYSDCR300	NSYTJ10030		NSYAEFPFS3DW100	NSYSPS3100SD	NSYSPS3200SD	NSYSPPF10100	NSYSPPF10200		
	NSYSDCR300	NSYTJ10030		NSYAEFPFS3DW100	NSYSPS3100SD	NSYSPS3200SD	NSYSPPF10100	NSYSPPF10200		
	NSYSDCR300*	NSYTJ12030		NSYAEFPFS3DW120	NSYSPS3100SD	NSYSPS3200SD	NSYSPPF12100	NSYSPPF12200		
	NSYSDCR400*	NSYTJ12040		NSYAEFPFS3DW120	NSYSPS4100SD	NSYSPS4200SD	NSYSPPF12100	NSYSPPF12200		
NSYPIN126	NSYSDCR300	NSYTJ6030		NSYAEFPFS3DW60	NSYSPS3100SD	NSYSPS3200SD	NSYSPPF6100	NSYSPPF6200		
NSYPIN126	NSYSDCR400	NSYTJ6040		NSYAEFPFS3DW60	NSYSPS4100SD	NSYSPS4200SD	NSYSPPF6100	NSYSPPF6200		
NSYPIN128	NSYSDCR300	NSYTJ8030		NSYAEFPFS3DW80	NSYSPS3100SD	NSYSPS3200SD	NSYSPPF8100	NSYSPPF8200		
NSYPIN128	NSYSDCR400	NSYTJ8040		NSYAEFPFS3DW80	NSYSPS4100SD	NSYSPS4200SD	NSYSPPF8100	NSYSPPF8200		
	NSYSDCR300	NSYTJ10030		NSYAEFPFS3DW100	NSYSPS3100SD	NSYSPS3200SD	NSYSPPF10100	NSYSPPF10200		
	NSYSDCR300	NSYTJ10030		NSYAEFPFS3DW100	NSYSPS3100SD	NSYSPS3200SD	NSYSPPF10100	NSYSPPF10200		
	NSYSDCR400	NSYTJ10040		NSYAEFPFS3DW100	NSYSPS4100SD	NSYSPS4200SD	NSYSPPF10100	NSYSPPF10200		
	NSYSDCR300*	NSYTJ12030		NSYAEFPFS3DW120	NSYSPS3100SD	NSYSPS3200SD	NSYSPPF12100	NSYSPPF12200		
	NSYSDCR400*	NSYTJ12040		NSYAEFPFS3DW120	NSYSPS4100SD	NSYSPS4200SD	NSYSPPF12100	NSYSPPF12200		
	NSYSDCR300	NSYTJ10030		NSYAEFPFS3DW100	NSYSPS3100SD	NSYSPS3200SD	NSYSPPF10100	NSYSPPF10200		


(7) To adjust the depth of the internal door, please order the step slides.
 (8) Also available in ventilated version with cable gland for widths of 600 and 800, see page 3/43.

*For the double mounting plates, order also ref. NSYSRSDCR300 (D300) or NSYSRSDCR400 (D400).

**To install the plinth to a wall-mounting enclosure, order ref. NSYAPFWM.

 Cable-tie fixing support
Page 7/118

 Plastic document pocket
Page 7/132

 Earth cables
Page 7/140

Main accessories for VDM and S3D 19" enclosure Composition accessories



PB500022

Fixing lugs

Page
2/48



PB500156

Post-fixing device

Page
2/51

Door accessories



PB500306

Inserts

Page
2/16



PB500346

Handle with keys

Page
2/57



PB500461

Other locking systems

Page
2/58



PB500353

Hinges

Page
2/60

Cable-entry accessories



PB500324

PB500327

PB500325

PB500326

Cable-gland plates
For Spacial S3D enclosure

Page
2/62



PB500099

ISO cable glands

Page
7/108



PB500024

Multiple cable entry

Page
7/104



PB500023

Multiple cable entry

Page
7/104

Composition accessories



PB501637

Plinth-fixing device

Page
2/53



PB500329

Canopy

Page
2/56

Door accessories



PB500223

Door retainer

Page
7/135



PB501638

Door switch

Page
7/127



PB500333

Door rails

Page
7/116



PB500407

Earthing systems

Page
2/32

Mounting accessories



PB500323

19" fixed and swing racks

Page
2/46

Thermal accessories



PB500769

Page
8/28



PB501639

Page
8/92



PB501021

Page
8/8



PB501026

Page
8/80



Single-door enclosure.



Double-door enclosure.



Enclosure with galvanised plain mounting plate.



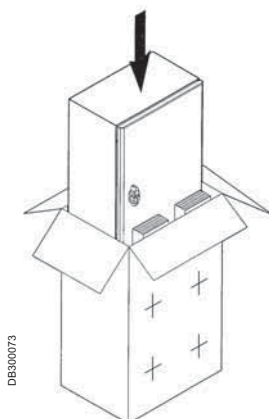
Enclosure with glazed door.



Welded studs for the earth connection.



Cable-gland plate with marking.



Delivered in a reusable cardboard box with assembly instructions enclosed and wall-mounting template on the cardboard.



Double-bar lock.

The Spacial S3D steel enclosure universal offer.

Three steel enclosure definitions are available:

- Enclosure with plain door.
- Enclosure with plain door delivered with a galvanised plain mounting plate, not installed.
- Enclosure with glazed door, 4-mm-thick Securit® glass.

Structured finish, epoxy-polyester powder, RAL 7035 grey colour.

- Selection guide, page 2/10.

Technical description:

Enclosure body:

- Single-piece body (cross-shaped structure). Gutter-shaped front profile with double fold. Flat rear.
- 4 (or 6**) M8 x 25 shouldered backstuds for installing mounting plates and step slides, leaving a space of 10 mm behind them.
- M6 x 16 earthing screws for equipotential connection between the door and the body of the enclosure.
- Cable-gland plate with marking for easy drilling and to guarantee the maximum access surface; delivered with the enclosure. This plate is flush with the body of the enclosure (detail and other options on page 2/62).
- Direct wall-mounting (4 Ø 10 holes for the sealing plugs guaranteeing the IP) or with the help of fixing lugs installed from the outside (to be ordered separately, see page 2/48).

Enclosure door:

- Wall-mounting enclosure supplied with 3-mm double-bar lock as standard.
- Polyurethane door gasket.
- M6 x 16 earthing screws for equipotential connection between the door and the body of the enclosure.
- Easily removable and reversible, with 20-mm return with double thickness granting excellent rigidity, opening to 120°, equipped with 2 or 3 invisible hinges*.
- Door opening to 180° with optional hinges (page 2/59).
- For heights from 600 mm, three locking points with linkage, with a single control point. Simple reversal of linkage. Maximum load: 50 kg/m².
- A handle is delivered which provides 2 functions:
 - Operating key.
 - Tool for loosening the stud protection caps. This handle can be solidly attached to the locking system by means of a captive element.
- Perforated rails on the door, with drill holes with a diameter of 4.2 mm in steps of 25 mm:
 - 2 vertical rails from the height of 400 mm,
 - 2 vertical rails and 2 horizontal rails from the width of 800 mm.

* From the height of 800 mm.

** Widths of 1000 and 1200 mm.

Standards

Compliance with enclosure standards IEC 62208, UL, CUL, BV, DNV, GL, ATEX (modified enclosure).

The Spacial S3D wall-mounting enclosures are compliant with the RoHS directive.

Certifications

Certification table, page 9/2.



Our certificates can be downloaded from our website.



Our empty enclosures are marked CE according to the Low-Voltage Directive (LVD). It is the responsibility of the final equipment manufacturer to respect the regulations in force.

Technical characteristics

Protection degree:

- IP 66 for the single-door enclosures and IP 55 for the double-door enclosures, according to IEC 60529.
- Nema Type 4, 4X for the single-door enclosures and Nema Type 12, 12K, 13 for the double-door enclosures according to NEMA 250 standard.

Resistance to external mechanical impacts:

- IK 10 for the plain-door enclosures, according to IEC 62262.
- IK 08 for the glazed-door enclosures.

Mechanical characteristics

Fixing of mounting accessories

- 4 (or 6**) M8 × 25 shouldered backstuds for installing mounting plates and step slides, leaving a space of 10 mm behind them.
- ** 6 studs for widths 1000 and 1200.



Personnel protection

Earth connection: Spacial S3D steel enclosures are equipped with M6 × 16 earth studs welded in the body and the door for equipotential connection. Earth braid to be ordered separately (see page 7/140).

Closing the enclosure: the enclosures are equipped from the height of 600 mm with three locking points with linkage, with a single control point, preventing the enclosures from being left ajar. Locks and inserts, page 2/57.

Coating properties

Colour: RAL 7035 grey; finish: structured.

Coating thickness: 60 µm.

Fire class: M0.

Resistance to corrosion: compliance with standard IEC 62208 for outdoor installation: 288 h of humid heat and 336 h of salt mist.

Note: the Spacial S3D is specially designed for indoor installations. For outdoor installations, it is advisable to install a canopy or consult us.

Nuclear decontamination: RAL 7035 and AFNOR A550 tests available on demand.



For further information, see the Technical Annexes on page 9/2.



PB600311



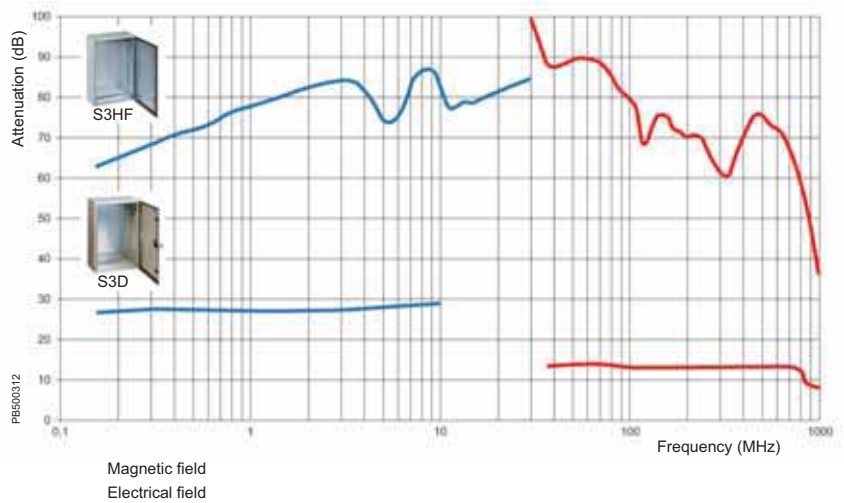
EMC protection

Standard Spacial S3D enclosures are tested against electromagnetic disruptions. Since the enclosure is tested empty, it is advisable to rerun the tests with the enclosure completely equipped in its final configuration.

Earth braids to be ordered separately, see page 7/140.

Another solution and information on electromagnetic compatibility: Spacial S3HF enclosure, page 2/34.

Attenuation curve of the Spacial S3D compared with the Spacial S3HF



Frequency: 3 - 13.2 Hz
 Amplitude: 1 mm/sec below 22 Hz
 Frequency: 3 - 100 Hz
 Acceleration: 0.7 g above 30 Hz

Vibration constraints

Specific construction of the Spacial S3D - Single-piece body (cross-shaped structure). The rear is flat without added parts - this allows it to comply with certain vibration constraints.

The tests were conducted according to the "rules for ships" by "Det Norske Veritas". Enclosures labelled "DNV" have undergone these tests and obtained classification "A". Since the enclosure is tested empty, it is advisable to rerun the tests with the enclosure completely equipped in its final configuration.

ATEX compliance

The Spacial S3D enclosure (with adaptation) is certified ATEX by the LCIE. Spacial S3DEX enclosure, page 2/36 consult us.



Environnemental consideration

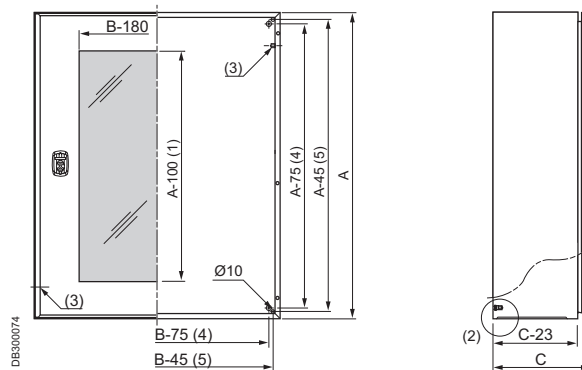
Compliance with RoHS standard.

A: Enclosure height
 B: Enclosure width
 C: Enclosure depth

Enclosure (mm)		Cable-gland plate					
Width	Depth	Dimensions (mm)	Type	N°	J	K	L
200 - 250	150 - 250	140 × 80	A	1	57	115	55
300 - 400	150	245 × 80	B	1	57	220	55
300	200	245 × 130	C	1	80	220	105
400	200 - 250	345 × 130	D	1	80	320	105
500	200 - 250	445 × 130	E	1	80	420	105
600	200 - 250	545 × 130	F	1	80	520	105
600	300 - 400	495 × 220	G	1	126*	470	195
800	250 - 300 - 400	345 × 130	D	2	95	320	105
1000 - 1200	300 - 400	445 × 130	E	2	95	420	105

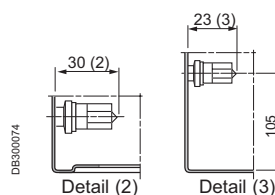
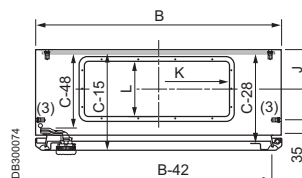
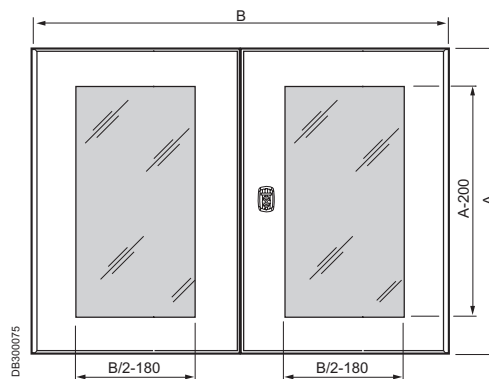
* Except enclosure 1000 × 600 × 400 mm, J = 140 mm.

1-door enclosure



- (1) A-200 from the height of 800 mm.
- (2) 4 or 6 (widths 1000 - 1200 mm) M8 × 25 mm backstuds.
- (3) 2 M6 × 17.5 mm earthing studs.
- (4) Stud centre-to-centre distance.
- (5) Centre-to-centre distance of the holes for direct fixing.

2-door enclosure

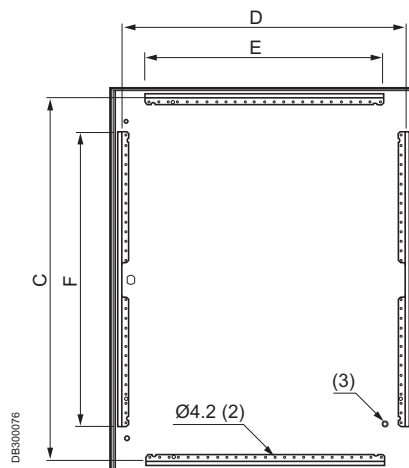


The DXF diagrams can be downloaded from our websites.

Perforated rails on plain door (1)

Enclosure (*) (mm)		Perforated rails on the door (mm)				Perforated rails on the double door (mm)				Perforated rails on the internal door (mm)			
Height	Width	Vertical		Horizontal		Vertical		Horizontal		Vertical		Horizontal	
		F	D	E	C	F	D	E	C	F	D	E	C
400	300	320	237	-	-	-	-	-	-	-	-	-	-
400	400	320	337	-	-	-	-	-	-	-	-	-	-
400	600	320	537	-	-	-	-	-	-	-	-	-	-
500	300	370	237	-	-	-	-	-	-	-	-	-	-
500	400	370	337	-	-	-	-	-	-	-	-	-	-
500	500	370	437	-	-	-	-	-	-	-	-	-	-
600	400	370	337	-	-	-	-	-	-	-	-	-	-
600	500	370	437	-	-	-	-	-	-	-	-	-	-
600	600	370	537	-	-	-	-	-	-	-	-	-	-
600	800	370	737	-	-	-	-	-	-	-	-	-	-
700	500	470	437	-	-	-	-	-	-	-	-	-	-
800	600	570	537	-	-	-	-	-	-	-	-	-	-
800	800	570	737	620	749	-	-	-	-	-	-	-	-
800	1000	570	937	820	749	570	437	320	749	620	437	320	749
800	1200	-	-	-	-	570	537	420	749	620	537	420	749
1000	600	770	537	420	949	-	-	-	-	-	-	-	-
1000	800	770	737	620	949	-	-	-	-	-	-	-	-
1000	1000	770	937	820	949	770	437	320	949	820	437	320	949
1000	1200	-	-	-	-	770	537	420	949	820	537	420	949
1200	600	970	537	420	1149	-	-	-	-	-	-	-	-
1200	800	970	737	620	1149	-	-	-	-	-	-	-	-
1200	1000	970	937	820	1149	970	437	320	1149	1020	437	320	1149
1200	1200	-	-	-	-	970	537	420	1149	1020	537	420	1149
1400	1000	-	-	-	-	970	437	320	1349	1020	437	320	1349

(*) The doors of enclosures with dimensions of less than 800 × 600 mm do not have horizontal cable guides.



- (1) The glazed doors are equipped with a vertical cable guide, on the hinge side.
- (2) Perforations in steps of 25 mm.
- (3) 1 M6 × 17.5 mm earthing stud.

Technical annexes

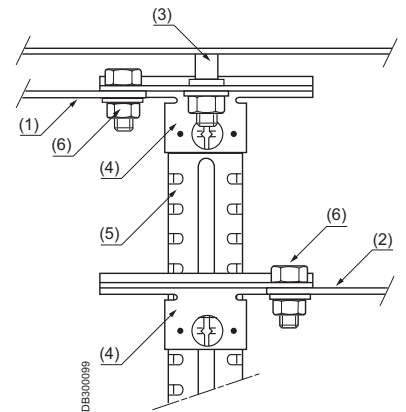
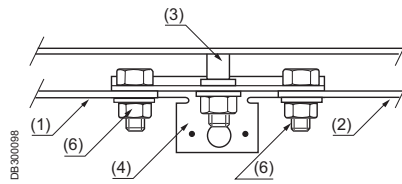
Additional information



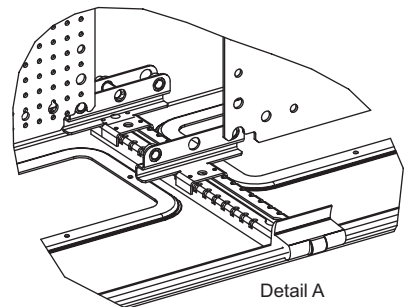
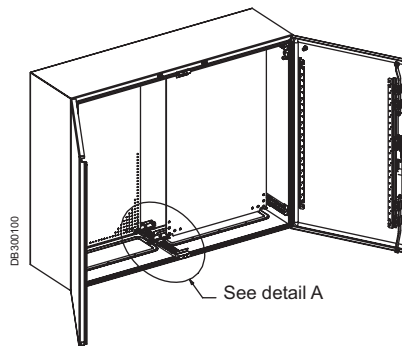
Installation of 2 mounting plates in the enclosures with width of 1000 or 1200 mm and depth of 300 or 400 mm

Step slides, page 7/8.
1. On the 6 backstuds

2. Two offset mounting plates with depthwise adjustment

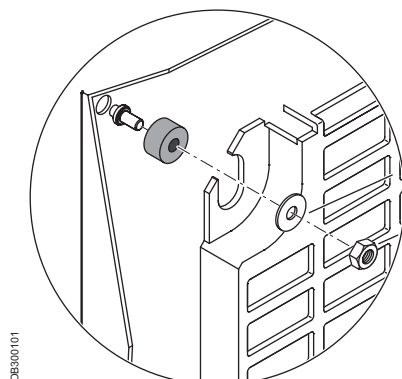


- (1) Left mounting plate.
- (2) Right mounting plate.
- (3) Central backstud.
- (4) Bracket ref. **NSYCRNGSDR** with 2 M8 × 20 mm screws.
- (5) Step slide ref. **NSYSDRSDCR300** (depth 300), **NSYSDRSDCR400** (depth 400).
- (6) M8 × 20 mm screw.



Installation of Telequick™ mounting plates

Spacers for raising the mounting plate in the enclosures equipped with 6 studs.



Reference
NSYEMR



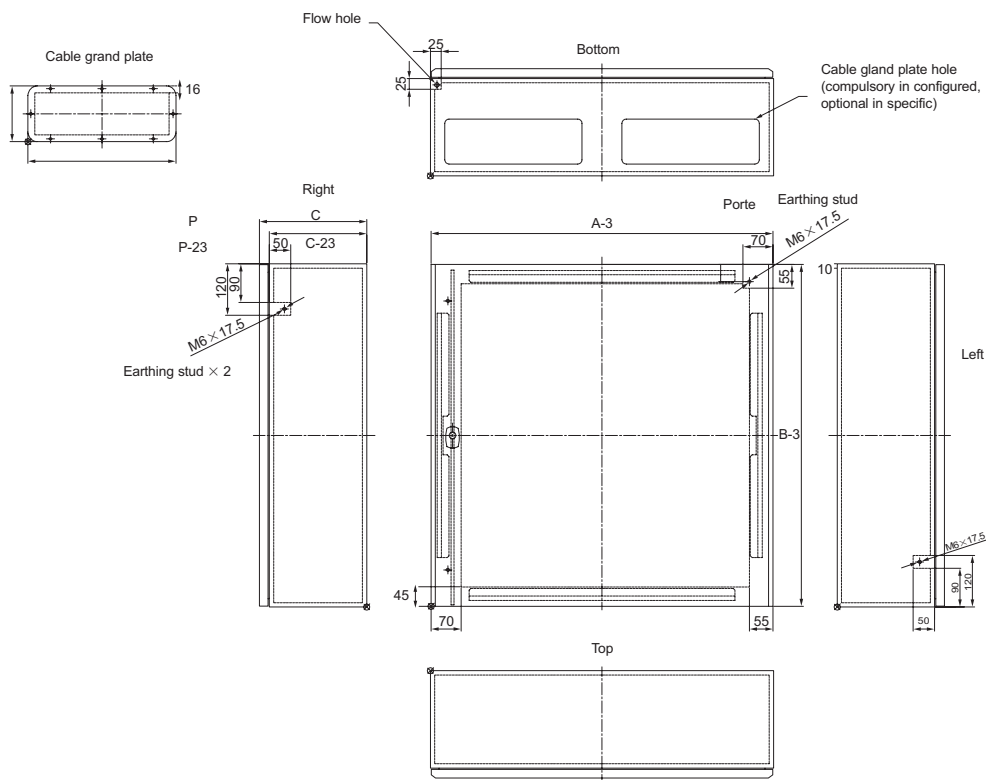
2

Acceptable loads on the mounting plates, bases and doors

Acceptable loads (kg)					Reference
On plain mounting plates	On base	On door (1)	On vertical lug	On horizontal lug	
Spacial 3D wall-mounting enclosures					
60	135	50	350	190	NSYS3D3215 to NSYS3D5320
90	135	50	350	190	NSYS3D5420 to NSYS3D6425
135	135	50	350	190	NSYS3D6620 to NSYS3D8630
150	135	50	350	190	NSYS3D10625 to NSYS3D10830
180	135	50	350	190	NSYS3D101030D to NSYS3D141030D

(1) On a sheet door with a thickness of 20/10 mm: 60 kg of maximum acceptable load (please consult us).

Areas without cut-outs

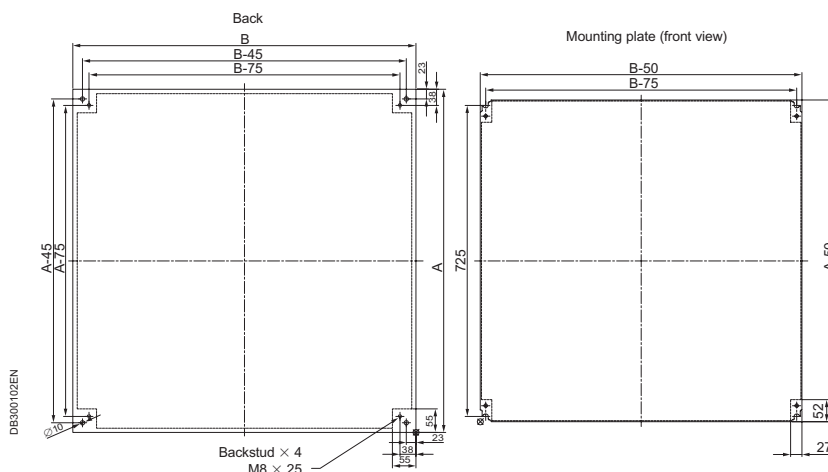


For 800, 1000 and 1200-mm widths, 2 cable-gland plates: see page 2/21.

Vertical cable guides from 400-mm height. Horizontal cable guides from 800-mm width.



Download our DXF diagrams from our websites.



Spacial S3D enclosure installed on machines



Enclosure for supplying motors and sensor connection box.



Management of machine's communication network functions.

Spacial S3DB terminal enclosure in application



Local function enclosure.



Fieldbus enclosure.

PB500315

PB500316



Decentralised control enclosure.

PB500317

A broad range of accessories to suit all your applications



> External-mounting accessories

- ① Locking system, page 2/57
- ② Installation accessories, page 7/2
- ③ Canopies, page 2/56
- ④ Plinths, page 2/53
- ⑤ Cable-gland plate, page 2/63
- ⑥ Cable-entry accessories, page 2/64
- ⑦ Thermal range, page 8/6

> Internal-installation accessories

- ⑧ Mounting plate, page 7/2
- ⑨ DIN rail, page 7/6
- ⑩ Internal door, page 2/61
- ⑪ Door retainer, page 7/135
- ⑫ Door switch, page 7/127
- ⑬ Hinges, page 2/60
- ⑭ Document pocket, page 7/132
- ⑮ Cable-management accessories, page 7/117
- ⑯ Thermal control, page 8/7



See also
the accessories

Thermal management
page 8/4

Cable management
page 7/111

Cable entry
page 7/100

Spacial steel enclosures application offer

Offers dimensioned for your applications



Spacial S57: the universal steel enclosure with screw-on cover

Practical

Vertical and horizontal installations. Body without cut-outs for cable-gland plate. Screw-on cover. 4 dimensions with screw-on cover from 200 × 300 × 150 to 300 × 500 × 200. Delivered empty. Do you need other dimensions? Please consult our specific service.



Spacial S3DB: the junction enclosure with drop door for easier access

Smart

Vertical and horizontal installations. Body without cut-outs for cable-gland plates. 180° hinges. 11 dimensions with drop door from H250 × W300 × D150 to H250 × W400 × D150. Reversible enclosure (the height becomes the width). Delivered empty. Model presented with ladder support and DIN rail (to be ordered separately, see page 7/50).



Spacial S3DM: the enclosure for modular distribution applications

Practical

Body with top and bottom cable-gland plates (plain door can be ordered separately). 8 dimensions with cable-gland plate and glazed door. Delivered empty. Model presented with modular chassis (to be ordered separately, see page 2/32).



Spacial VDM: the sealed 19" enclosure for local networks and electronics in industrial environments

Functional

Built-in 19" uprights
8 dimensions with 2 versions: single and double body.
The VDM models are equipped with 19" uprights.



Spacial S3CM: the Control and Human-Machine Dialogue enclosure, ideal for all your interfaces

Ergonomic

The rail of the frame guarantees good rigidity for the enclosure. 8 dimensions. Rotation through 170°; complete range of joints, fixed or rotating.

Selection guide for application wall-mounting enclosures



2

Specifications					Basic enclosures				
Dimensions			N° of doors	IP	Empty application enclosures				
H	W	D			Steel industrial boxes, IP 66 Spacial S57	S3DB terminal enclosures (1)	FL terminal enclosures (1)	S3DM modular enclosures with glazed door (1)	VDM steel enclosures with 19" swing rack
					Page 1/15	Page 2/28	Page 2/30	Page 2/32	Page 2/40
200	300	150	1	66	NSYSBS302015				
250	300	150	1	66		NSYS3DB25315			
250	400	150	1	66		NSYS3DB25415			
250	500	150	1	66		NSYS3DB25515			
300	300	150	1	66	NSYSBS303015	NSYS3DB3315			
300	300	170	1	66			NSYS3DBFL3317		
300	400	150	1	66	NSYSBS403015	NSYS3DB3415			
300	400	170	1	66			NSYS3DBFL3417		
300	500	150	1	66		NSYS3DB3515			
300	500	200	1	66	NSYSBS503020				
300	600	150	1	66		NSYS3DB3615			
300	600	400	1	66					NSYVDM4U4P
300	600	500	1	66					
400	300	150	1	66		NSYS3DB4315		NSYS3DM4315T	
400	300	170	1	66			NSYS3DBFL4317		
400	600	400	1	66					NSYVDM7U4P
400	600	500	1	66					
400	800	150	1	66		NSYS3DB4815			
500	400	150	1	66		NSYS3DB5415		NSYS3DM5415T	
500	600	400	1	66					NSYVDM9U4P
500	600	500	1	66					
600	400	150	1	66		NSYS3DB6415		NSYS3DM6415T	
600	600	150	1	66				NSYS3DM6615T	
700	500	150	1	66					
700	500	150	1	66				NSYS3DM7515T	
700	600	400	1	66					NSYVDM13U4P
700	600	500	1	66					
800	600	150	1	66					
800	600	150	1	66				NSYS3DM8615T	
800	600	400	1	66					NSYVDM16U4P
800	600	500	1	66					
1000	600	150	1	66				NSYS3DM10615T	
1000	800	150	1	66				NSYS3DM10815T	

(1) Empty enclosure.

Wall-fixing brackets

Steel: NSYAEFPFSC
Stainless steel: NSYAEFPFXSC

Reinforcement for heavy loads

NSYAEFAHLBSC

Cable gland

Page 7/110



Do you need other dimensions?
Do you require a special colour
or cut-outs? All these enclosures
can be customised. See our
specific offer, page 0/7.



19" enclosure with glazed door (2)					Accessories						
Number of U	1-body 19" fixed rack	Number of U	2 parts with 19" fixed rack	Number of U	Electricity distribution		Automatism				
					Modular mounting chassis (metallic)	N° of modules	DIN rail support and DIN rail	Plain mounting plate	Telequick mounting plate	Aluminium vertical rails	
	Page 2/40		Page 2/40		Page 7/70				Page 7/2	Page 7/4	Page 7/9
								NSYAMRD2030	NSYMM32		
								NSYAMRD2530	NSYMM3025		
								NSYAMRD2540	NSYMM2540		
								NSYAMRD2550	NSYMM2550		
								NSYAMRD3030	NSYMM33	NSYMR33	NSYMDVR3
								NSYAMRD3030	NSYMM33	NSYMR33	
								NSYAMRD3040	NSYMM43	NSYMR34	NSYMDVR3
								NSYAMRD3040	NSYMM43	NSYMR34	
								NSYAMRD3050	NSYMM53		NSYMDVR3
								NSYAMRD3050	NSYMM53		NSYMDVR3
								NSYAMRD36	NSYMM36		NSYMDVR3
4	NSYVDM5U4F	5	NSYVD2M5U4	5				NSYAMRD36	NSYMM36		NSYMDVR3
			NSYVD2M5U5	5				NSYAMRD36	NSYMM36		NSYMDVR3
						NSYDLM24	24	NSYAMRD43	NSYMM43	NSYMR43	NSYMDVR4
								NSYAMRD43	NSYMM43	NSYMR43	
7	NSYVDM8U4F	8	NSYVD2M8U4	8				NSYAMRD48	NSYMM64	NSYMR46	NSYMDVR4
			NSYVD2M8U5	8				NSYAMRD48	NSYMM64	NSYMR46	NSYMDVR4
								NSYAMRD54	NSYMM48		NSYMDVR4
						NSYDLM48	48		NSYMM54	NSYMR54	NSYMDVR5
9	NSYVDM10U4F	10	NSYVD2M10U4	10					NSYMM65		NSYMDVR5
			NSYVD2M10U5	10					NSYMM65		NSYMDVR5
						NSYDLM48P	48	NSYAMRD64	NSYMM64	NSYMR64	NSYMDVR6
						NSYDLM84P	84		NSYMM66	NSYMR66	NSYMDVR6
						NSYDLM66	66		NSYMM75	NSYMR75	NSYMDVR7
						NSYDLM88	88		NSYMM75	NSYMR75	NSYMDVR7
13	NSYVDM14U4F	14	NSYVD2M14U4	14							NSYMDVR7
			NSYVD2M14U5	14							NSYMDVR7
						NSYDLM84/ NSYDLM112			NSYMM86	NSYMR86	NSYMDVR8
						NSYDLM84/ NSYDLM112			NSYMM86	NSYMR86	NSYMDVR8
16	NSYVDM17U4F	17	NSYVD2M17U4	17					NSYMM86	NSYMR86	NSYMDVR8
			NSYVD2M17U5	17					NSYMM86	NSYMR86	NSYMDVR8
						NSYDLM168/ NSYDLM240			NSYMM106	NSYMR106	NSYMDVR10
						NSYDLM168/ NSYDLM240			NSYMM108	NSYMR108	NSYMDVR10

(2) Plain door, please consult us.

Other cable entries
Page 7/108

Clip-on nuts
Page 7/27

Self-tapping screw
ref. NSYS13M5HS
Page 7/67

The ideal junction enclosure for your application

Introduction

2



Vertical position.



Horizontal position.



Welding studs on door and body (earth cables to be ordered separately).



Example of installation with the ladder mounting plate.



Terminal enclosure with a depth of 150 mm, from H 250 × W 300 to H 600 × W 400 mm with plain door, for equipping with terminals. The body does not have any cable-gland openings.

11 references.

Selection guide, page 2/26.

Technical characteristics

- Protection degree: IP 66.
- Resistance to external mechanical impacts: IK 10.
- Structured finish, epoxy-polyester powder, RAL 7035 grey colour.

Body

Single-piece body, folded and welded. Front rail with double sheet thickness, gutter-shaped.

- Depth 150 mm.

The terminal enclosure can be installed vertically (the width becomes the height).

- Wall mounting directly or by means of fixing lugs (to be ordered separately).
- 4 M8 × 25 shouldered backstuds.
- Body without cable-gland openings.

Door

- Easily removable and reversible door, with 20-mm return with double sheet thickness granting excellent rigidity; equipped with 2 hinges opening to 180°.
- Door opening to more than 180° for maximum accessibility (the door comes to rest on the body of the enclosure in top position).
- Maximum acceptable load on the door: 20 kg/m².
- Wall-mounting enclosure supplied with 3-mm double-bar lock as standard.
- Polyurethane gasket.
- M6 × 16 earthing screw for equipotential connection between the door and the body of the enclosure.

Dedicated accessories

The terminal enclosure, with a depth of 150 mm, can be equipped:

- With 2 rails to be installed on the 4 M8 × 25 shouldered backstuds.
- With a symmetrical rail to be installed on the rails.
- With a 6-mm² earth braid to be placed between the body and the door.
- See page 2/47.

It can also be equipped with a plain mounting plate, see page 7/2.

This range is completed by the Spacial offer with screw-on cover, see page 1/15.



Specific

On demand, it is possible to install the same enclosure dimension with a door with standard opening (not drop-leaf). Please consult our specific service.



See also the accessories

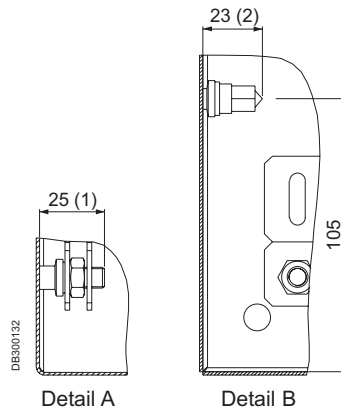
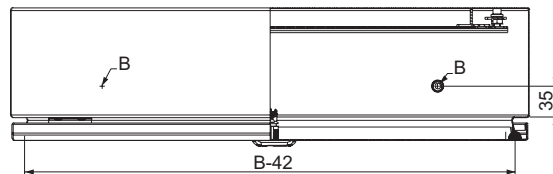
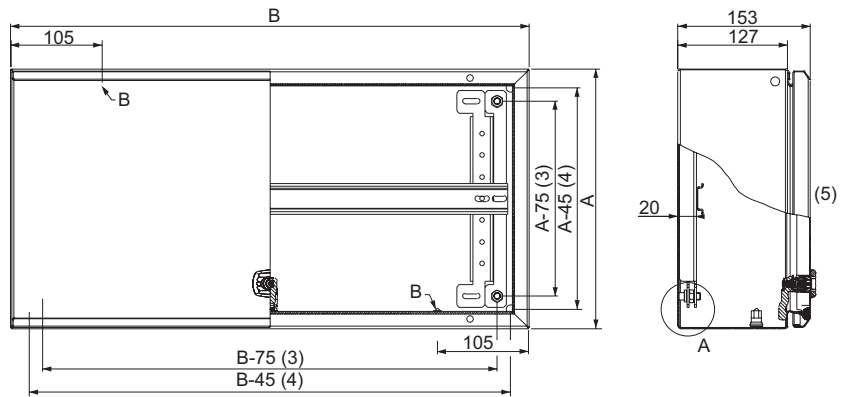
Fixing lugs for the earthing strip page 7/142

Cable-gland entries without connectors page 7/108

Viewing window page 7/136

A: Enclosure height
 B: Enclosure width
 C: Enclosure depth

- (1) With ladder mounting plate installed.
- (2) M6 × 17.5 mm earthing stud.
- (3) Stud centre-to-centre distance.
- (4) Centre-to-centre distance of the holes for direct fixing.
- (5) Drop-leaf door.



The provided dimensions are with the ladder mounting plate, which is the most commonly used accessory with this enclosure.



See also the accessories

Equipment mounting plate page 7/2

Accessories for mounting plate page 7/9

Cable-management accessories page 7/121

The ideal coupling enclosure with FL21 cut-out

Introduction

2



PE500201

Coupling enclosure, depth 170 mm, with plain door, for equipping with terminals. Equipped with a plain door without drop-leaf opening. Delivered without cable-gland plate.

Selection guide, page 2/26.

Technical characteristics

- Protection degree: IP 65 (with membrane mounted).
- Resistance to external mechanical impacts: IK 10.
- Structured finish, epoxy-polyester powder, RAL 7035 grey colour.

Body

Single-piece body, folded and welded. Front rail with double sheet thickness, gutter-shaped.

- Wall mounting directly or by means of fixing lugs (to be ordered separately).
- 4 M8 × 25 shouldered backstuds.
- Body with FL21-type cable-gland opening on the bottom of the enclosure (blanking plate ref. **NSYAECPLBP** to be ordered separately).
- FL21 membranes, page 7/103.

Door

- Easily removable and reversible door, with 20-mm return with double sheet thickness granting excellent rigidity; equipped with 2 hinges opening to 120°.
- Door opening to more than 120° for maximum accessibility (the door comes to rest on the body of the enclosure in top position).
- Maximum acceptable load on the door: 50 kg/m².
- Wall-mounting enclosure supplied with 3-mm double-bar lock as standard.
- Polyurethane gasket.
- M6 × 16 earthing screw for equipotential connection between the door and the body of the enclosure.

Dedicated accessories

The terminal enclosure, with a depth of 170 mm, can be equipped:

- With 2 rails to be installed on the 4 M8 × 25 shouldered backstuds.
- With a symmetrical rail to be installed on the rails.
- With a 6-mm² earth connection to be placed between the body and the door.
- See page 7/140.

It can also be equipped with a plain mounting plate, see page 7/2.



This range is completed by the Spacial S3DB and Spacial S57 offer.

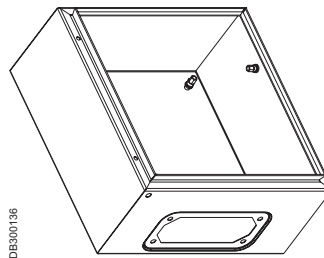
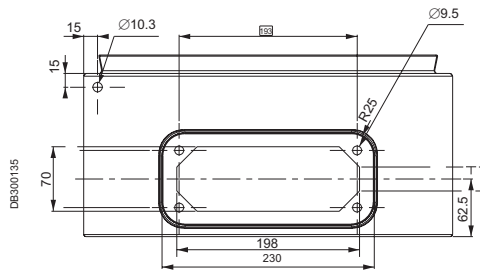
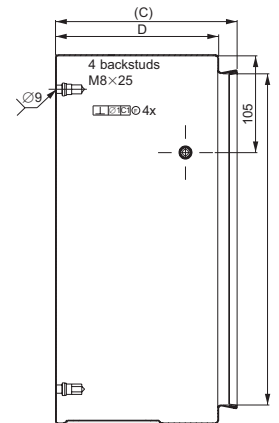
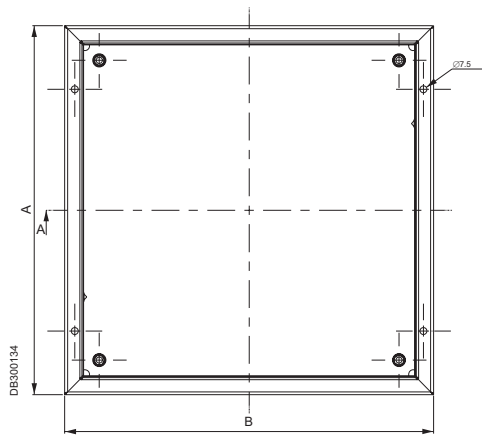
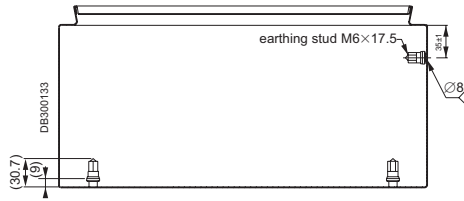


See also the accessories

Fixing lugs for the earthing strip page 7/142

Cable-gland entries without connectors page 7/108

Viewing window page 7/136



FL21-type membranes
page 7/103

See also
the accessories

The dimensioned steel enclosure for your modular distribution application

Introduction

2



S3DM enclosure (standard delivery).



S3DM enclosure equipped with a DLM* modular chassis.



Top and bottom chequered cable-gland plates.



Earth braids on page 7/140 (to be ordered separately).

8 dimensions with a depth of 150 mm and glazed door. From H 400 × W 300 to H 1000 × W 800 mm.

Enclosure with transparent door, 4 mm Securit® glass.

Plain door on demand, see page 2/33.

Selection guide, page 2/26.

Technical characteristics

- Structured finish, polyester powder, RAL 7035 grey colour.
- Protection degree: IP 66.
- Resistance to external mechanical impacts: IK 08.

Body

- Single-piece body, folded and welded. Front rail with double sheet thickness, gutter-shaped.
- Wall mounting by means of fixing lugs (to be ordered separately).
- 4 M8 × 25 mm shouldered backstuds for installing chassis and step slides, leaving a space of 10 mm behind them.
- Cable-gland plate (245 × 80) at the top and bottom of the enclosure, guaranteeing the maximum access surface (also available in plain door).

Door

- Transparent door, 4 mm Securit® glass (also available in plain door).
- Easily removable and reversible door, with 20 mm return with double thickness granting excellent rigidity, opening to 120°, equipped with 2 or 3 invisible hinges. Three locking points for heights of more than 600 mm.
- Wall-mounting enclosure supplied with 3 mm double-bar lock as standard.
- Perforated rails on the hinge side of the door, with drill holes with a diameter of 4.2 mm in steps of 25 mm.
- Polyurethane gasket.
- M6 × 16 mm earthing screw for equipotential connection between the door and the body of the enclosure.

Dedicated accessories

- The Spacial S3DM enclosure for modular distribution can be equipped with:
 - A modular chassis (**NSYDLM*****) with cut-out front panels for 24 to 234 modules according to the dimensions and references (see page 7/70).
 - A 6 mm² earth connection placed between the body and the door.
- For enclosures with a depth of 150 mm, the chassis can be installed at the front or on the backstuds at the rear. It is possible to adjust its depth using the adjustable supports (**NSYSDCR** type).
- It can also be equipped with a plain mounting plate, see page 7/2.



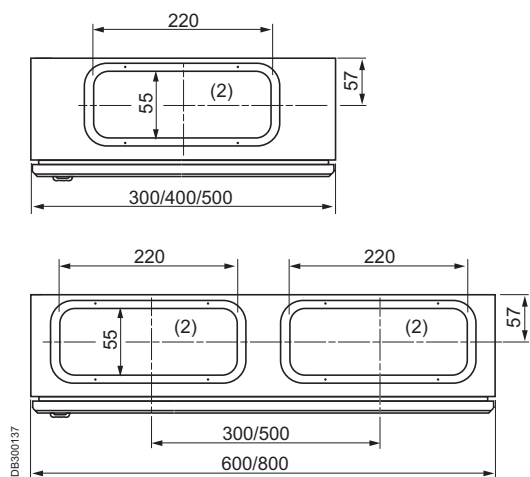
*The DLM modular chassis consists of metal cut-out front panels which can clip on with any screws. Rigid structure made from galvanised steel. The depth of the chassis can be adjusted from 40 to 85 mm, between the rail and the front panel, allowing the installation of all types of devices. The enclosure can be equipped with accessories from the Spacial standard wall-mounting range.



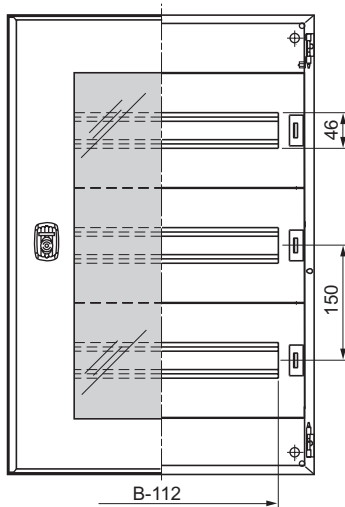
See also the accessories

Blanking plate page 7/73

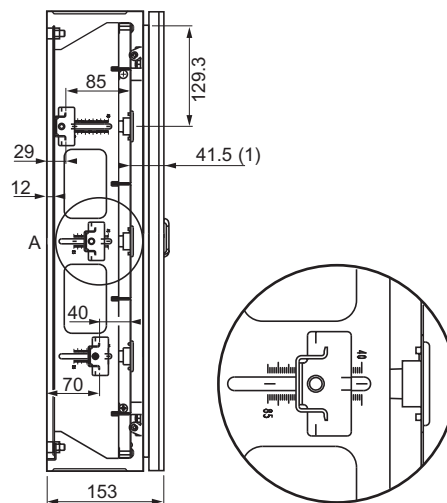
Terminal blocks page 7/98



(1) Front face of the modular chassis / front face of the door.
 (2) Cable-gland plates at the top and bottom of the enclosure.



Front panel cut-out
 (see page 7/71)



Detail A

Number of modules per chassis** (every 18 mm)



Chassis reference	NSYDLM24	NSYDLM48*	NSYDLM48P*	NSYDLM84P*	NSYDLM66	NSYDLM88	NSYDLM84	NSYDLM112	NSYDLM168	NSYDLM240
Enclosure height (mm)	400	500	600	600	700	700	800	800	1000	1000
Enclosure width (mm)	300	400	400	600	500	500	600	600	600	800
Number of rows	2	3	3	3	3	4	3	4	6	6
Modules per row	12	16	16	28	22	22	28	28	28	39
Total n° of modules	24	48	48	84	66	88	84	112	168	234

* References **NSYDLM48**, **NSYDLM48P** and **NSYDLM84P**, the central row cannot receive modules at the height of the lock (check our technical instructions) when installed at the front of the enclosure. In this case, 1 module is sealed up.

** DLM modular chassis, see page 7/70.



The provided dimensions are with the modular chassis, which is the most commonly used accessory with this enclosure.

Selection guide of plain doors for S3DM enclosure

Description	References
Spacial wall-mounting enclosure, H400 × W300	NSYPS3D43
Spacial wall-mounting enclosure, H500 × W400	NSYPS3D54
Spacial wall-mounting enclosure, H600 × W400	NSYPS3D64
Spacial wall-mounting enclosure, H600 × W600	NSYPS3D66
Spacial wall-mounting enclosure, H700 × W500	NSYPS3D75



See also the accessories

Mounting plate
page 7/2

Accessories for mounting plate
page 7/7

Cable-management accessories
page 7/100

The steel enclosure suited to your electromagnetic protection needs

2



Enclosure delivered with solid mounting plate

- Single-piece metal enclosures made from special sheets of ALUZINC 150.
- The presence of 55% aluminium on the surface of the sheet metal ensures good reflection of electromagnetic waves.
- Painted on the outside with epoxy-polyester resin, RAL 7035 grey, structured.

Technical characteristics

- Protection degree: IP 55, according to IEC 60529.
- Resistance to external mechanical impacts: IK 10.
- Body:
 - Single-piece body, folded and welded.
 - Entirely sealed body with no cable entry and no opening.
- Equipped with four shouldered backstuds allowing direct fixing of the mounting plate:
 - Built-in plain mounting plate made from galvanised sheet steel (potential reference sheet).
 - Its low resistivity promotes earth continuity.
 - Direct fixing or using wall-fixing lugs, ref. **NSYPFCR** (to be ordered separately).
- Door:
 - The special body-door gasket (IP + EMC) provides, in addition to water and dust **tightness**, electric continuity between the door and the body of the enclosure.
 - The metal lock with earth continuity helps improve the general shielding.
 - An earthing braid added to the enclosure between the body and the door guarantees a good earth connection and, consequently, good electromagnetic compatibility.
 - 3 mm double-bar lock as standard delivery (if a 405 key is needed it is possible to mount ref. **NSYCLL405CRN**).

Other sizes: consult us.

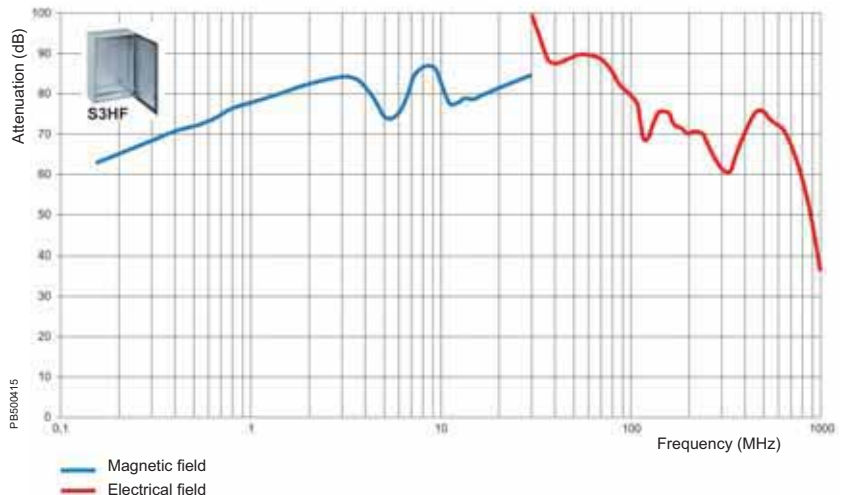
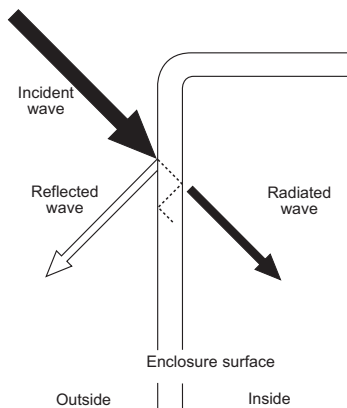
Dimensions (mm)			Fig.	Weight Kg	Reference
Height	Width	Depth			
400	300	200	1	7.5	NSYS3HF4320P
400	600	200	1	13.0	NSYS3HF4620P
500	400	200	2	11.5	NSYS3HF5420P
600	400	200	2	13.0	NSYS3HF6420P
600	600	250	2	20.5	NSYS3HF6625P
700	500	250	2	19.0	NSYS3HF7525P
800	600	300	2	32.8	NSYS3HF8630P
1000	800	300	2	53.2	NSYS3HF10830P
1200	800	300	2	59.0	NSYS3HF12830P

Fixing lugs, ref. **NSYPFCR** to be ordered separately (1 set of 4 lugs).

Attenuation of the Spacial S3HF enclosure

The graphic next to these lines shows the attenuation curves (dB) according to the frequency (MHz).

General information on Electromagnetic Compatibility, see pages 9/9 to 9/11.



A = Height.
 B = Width.
 C = Depth.

Figure 1

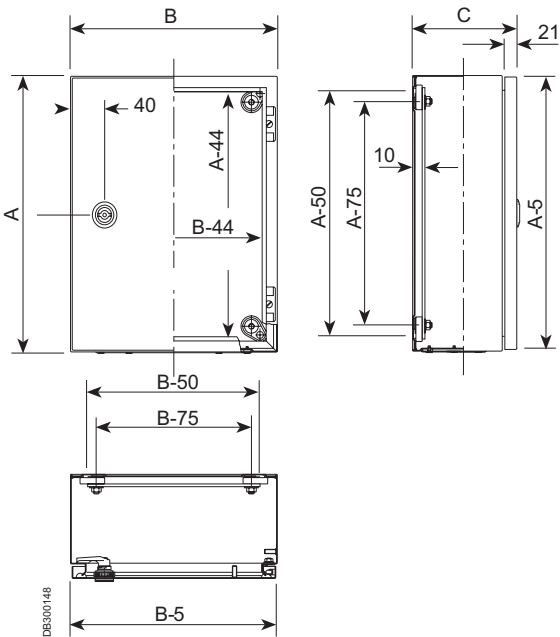
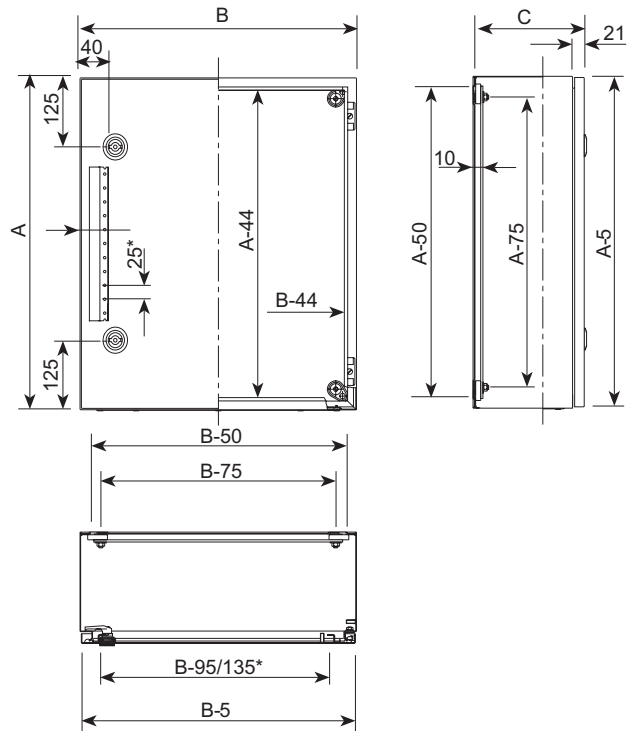


Figure 2



* Model 1200 × 800.



See also
 the accessories

Door accessories
 see page 7/132

Rails
 see page 7/50

Ventilation
 see page 8/20

The Spacial S3DEX steel enclosure according to the ATEX directive

2

Choice
With 10 sizes

Aesthetics
New RAL 7035

Easy
Easily reversible door

Solid
Resistance to external mechanical impacts IK 10

Smart
1 operating point for 3 locking points from H600



Aesthetics

- Sheet-steel enclosure.
- Structured finish, RAL 7035 grey colour.
- Single-piece body with a cross-shaped structure.

Solid

- Resistance to external mechanical impacts: IK 10.
- Protection degree: IP 66. Polyurethane gasket.
- Front rail of the body with double fold, gutter-shaped.

Choice

- Solid door: 10 references.

Smart

- 3-mm double-bar lock as standard.
- For heights exceeding 600 mm, three closure points with single operating point.

Easy

- The door can be removed and turned over to open towards the left.

Practical

- Large variety of common accessories with the Spacial wall-mounting enclosure range.
 - Plain mounting plate.
 - Silkscreened mounting plate.
 - Microperforated mounting plate.
 - Telequick mounting plate.
 - DIN rail chassis.
- Reusable packaging.



PB500411

Blind nut for external earth connection.



PB500407

Earthing studs welded to the door and inside the body.



PB500412

The chassis is mounted on four 10-mm shouldered backstuds.



PB500413

The 4 fixing holes are blocked by 4 crimped blind nuts.



PB500204

Example of specific ATEX marking.



DB500073

Delivered in reusable cardboard with assembly instructions enclosed and wall installation template on the cardboard.

2



PB500002



PB500006



Download our ATEX certificates and product sheets over the internet.

Technical characteristics

The Spacial S3DEX range of steel enclosures is certified by LCIE with no. LCIE 02ATEX0037U and codicil no. LCIE 02ATEX0037U/01 (component certificate).

The enclosures have the following marks:

Ⓔ II 2 GD Ex tD A21 IP6X according to ATEX directive 94/9/EC and standards EN 60079-0 (2004), EN 60079-7 (2006), EN 61241-0 (2005) and EN 61241-1 (2004).

Technical description

- Tightness by protection rating: IP 66 (enclosures with single door)
- Resistance to external impacts: IK 10.
- Structured finish, epoxy-polyester powder paint, RAL 7035 grey colour.

Compared with the universal Spacial wall-mounting enclosure, the Spacial S3DEX enclosure has:

- The four fixing holes blocked by four crimped blind nuts.
- One crimped M8 blind nut for an external earth connection (braid not supplied).

Enclosure body

- 4 M8 × 25 shouldered backstuds for mounting the mounting plate and the step slides leaving a space of 10 mm behind them.
- Cable-gland plate with grid pattern to facilitate drilling and provide the maximum access surface.
- Welded earthing stud for equipotential connection between the door and the body.

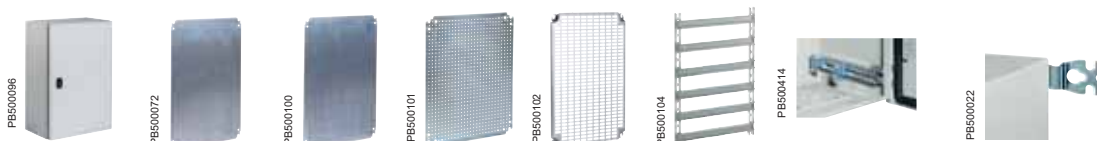
Door

- Standard enclosure supplied with a double-bar lock.
- Polyurethane sealing gasket.
- Equipotential connection between the door and the body by means of the M6 × 16 earthing screws.
- Removable and reversible door, opening to 120°.
- Simple reversal of linkage.
- Maximum load: 50 kg/m².
- Perforated rails on the door: 2 vertical rails from H = 400 mm, 2 vertical rails and 2 horizontal rails from W = 800 mm.

Ambient temperature limits:

-25 °C ≤ Ta ≤ +40 °C.

Delivered in an impact-resistant, eco-friendly packaging.



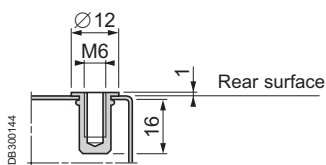
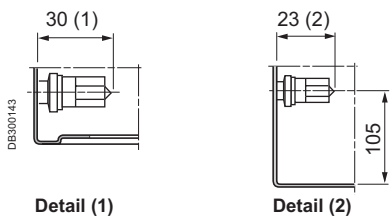
Enclosure dimensions (mm)			Enclosure reference	Mounting plates				Mixed symmetrical chassis	Bars slides	Wall-fixing lugs	
Height	Width	Depth		Plain	Silkscreened	Microperforated	Telequick			Steel	Stainless steel
300	200	150	NSYS3DEX3215	NSYMM32	-	-	NSYMR32	-	-	NSYAEFPFSC	NSYAEFPFXSC
300	300	200	NSYS3DEX3320	NSYMM33	-	NSYMF33	NSYMR33	NSYMD33	NSYSDCR200	NSYAEFPFSC	NSYAEFPFXSC
400	300	200	NSYS3DEX4320	NSYMM43	NSYMS43	NSYMF43	NSYMR43	NSYMD43	NSYSDCR200	NSYAEFPFSC	NSYAEFPFXSC
400	400	200	NSYS3DEX4420	NSYMM44	NSYMS44	NSYMF44	-	-	NSYSDCR200	NSYAEFPFSC	NSYAEFPFXSC
500	400	200	NSYS3DEX5420	NSYMM54	NSYMS54	NSYMF54	NSYMR54	NSYMD54	NSYSDCR200	NSYAEFPFSC	NSYAEFPFXSC
600	400	250	NSYS3DEX6425	NSYMM64	NSYMS64	NSYMF64	NSYMR64	NSYMD64	NSYSDCR250	NSYAEFPFSC	NSYAEFPFXSC
600	600	250	NSYS3DEX6625	NSYMM66	NSYMS66	NSYMF66	NSYMR66	NSYMD66	NSYSDCR250	NSYAEFPFSC	NSYAEFPFXSC
700	500	250	NSYS3DEX7525	NSYMM75	NSYMS75	NSYMF75	NSYMR75	NSYMD75	NSYSDCR250	NSYAEFPFSC	NSYAEFPFXSC
800	600	300	NSYS3DEX8630	NSYMM86	NSYMS86	NSYMF86	NSYMR86	NSYMD86	NSYSDCR300	NSYAEFPFSC	NSYAEFPFXSC
1000	800	300	NSYS3DEX10830	NSYMM108	-	NSYMF108	NSYMR108	NSYMD108	NSYSDCR300	NSYAEFPFSC	NSYAEFPFXSC



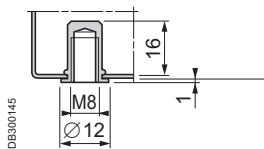
The accessories of the Spacial standard wall-mounting enclosures can be installed in the Spacial S3DEX wall-mounting enclosures. However, plastic accessories should not be used, due to the risk of a static charge.

A: Height
B: Width
C: Depth

- (1) 4 M8 × 25 mm backstuds.
- (2) 2 M6 × 17.5 mm earthing studs.
- (3) Stud centre-to-centre distance.
- (4) Crimped blind nut centre-to-centre distance.
- (5) Blind nut for external earth.

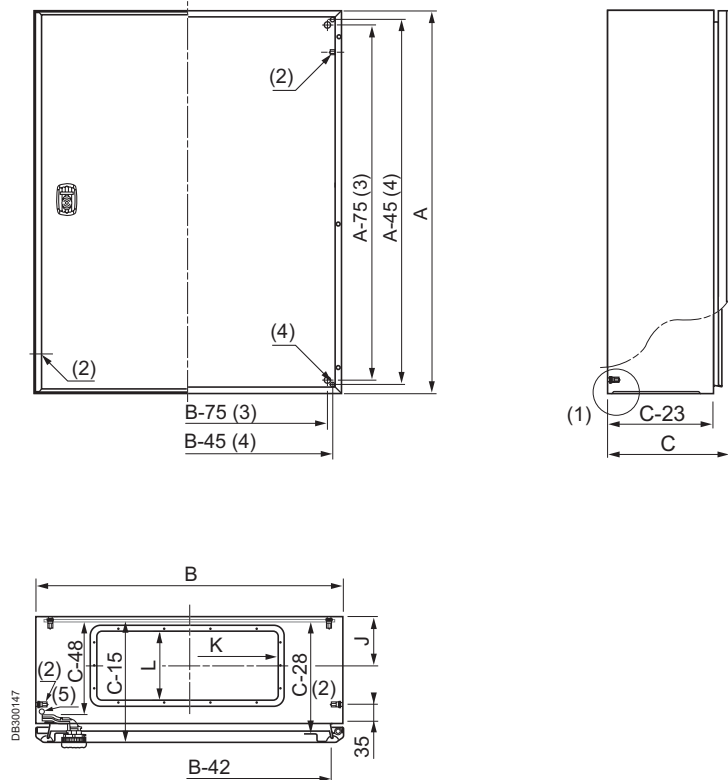


Detail (4)
4 crimped blind nuts for direct fixing of the fixing lugs



Detail (5)
1 crimped blind nut for the external earth

1-door enclosure

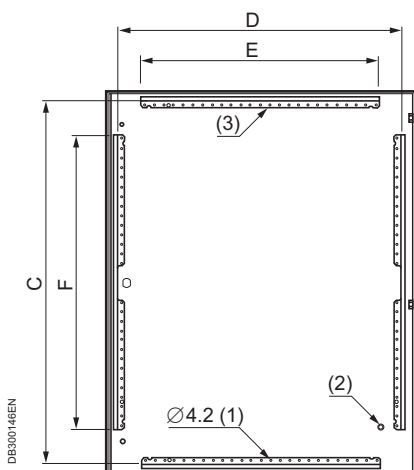


Enclosure (mm)		Cable-gland plate				
Width	Depth	Dimensions (mm)	No	J	K	L
200	150	140 × 80	1	57	115	55
300	200	245 × 130	1	80	220	105
400	200-250	345 × 130	1	80	320	105
500	250	445 × 130	1	80	420	105
600	250	545 × 130	1	80	520	105
600	300	495 × 220	1	126	470	195
800	300	345 × 130	2	80	320	105

Perforated rails on the door

Enclosure (3) (mm)		Perforated rails on the door (mm)			
Height (A)	Width (B)	Vertical		Horizontal	
		F	D	E	C
400	300	320	237	-	-
400	400	320	337	-	-
600	400	370	337	-	-
600	600	370	537	-	-
700	500	470	437	-	-
800	600	570	537	-	-
1000	800	770	737	620	949

(3) The doors of enclosures with dimensions of less than 800 × 600 mm do not have horizontal wire guides.



- (1) Perforations with a pitch of 25 mm.
- (2) 1 M6 × 17.5 mm earthing stud.

The IP 66 19" steel enclosure is ideal for your application!

2

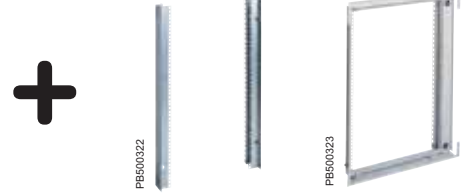




Enclosures equipped



Enclosures to be equipped



Smart:

Easily dismantlable, captive hinges.

Easy:

Effortless door closing with flexible polyurethane gasket.

Choice:

1-body enclosure with swing rack: 5 references from 4 U to 16 U.
 1-body enclosure with fixed rack: 5 references from 5 U to 17 U.
 2-body enclosure: 10 references, 400 or 500 mm deep, from 5 U to 17 U.
 All form inserts, many key locks.

Simplified control:

Pre-installed fixed or swing rack; earth connection placed between the door and the body; the enclosure is ready to use; the cardboard packaging can be reused after cabling.

Practical:

Cable-gland plates at top and bottom:
 - on the rear part (2-body enclosure),
 - on the body (1-body enclosure).

Smart:

Locking handle delivered with the provisional (partial engagement) or final (full engagement) enclosure.
 Can also be used to loosen the caps protecting the studs when painting.

Attractive:

Chamfered door, plasma welding, polyester paint, tinted Securit® glass, ergonomic bi-material handle (optional).

And also...

Practical:

Large range of accessories, reusable packaging.

Light and resistant:

Sheet-steel enclosure, cross-shaped structure, before folding.

Certification:

According to standard IEC 62208.

19" enclosure, IP 66

Introduction and selection guides

2



Spacial VDM 19" enclosure steel

The offer of VDM 19" steel enclosures, for electronics and networks, consists of 2 ranges:

- 1-body enclosure, 400 mm deep, with fixed or swing rack.
- 2-body enclosure, 380 and 480 mm deep.

Technical characteristics

- Structured finish, polyester powder, RAL 7035 grey colour. Other colours, please consult us.
- Protection degree: IP 66.
- Resistance to external mechanical impacts: IK 08.
- Single-piece body, folded and welded. Front rail with double sheet thickness, gutter-shaped.
- Perforated rails on the door, with drill holes of \varnothing 4.2 mm in steps of 25 mm.
- Transparent door, Securit® glass, easily removable and reversible, with 20-mm return with double thickness granting excellent rigidity, opening to 120°, equipped with 2 or 3 invisible hinges. Three closure points for heights of more than 600 mm.
- Wall-mounting enclosure supplied with 3-mm double-bar lock as standard.
- Polyurethane gasket.
- 6 mm² earth connection placed between the door and the body of the enclosure.
- Wall mounting by means of fixing lugs (to be ordered separately).
- Special installation: please consult us.



1-body enclosure with fixed rack

1-body enclosure, 400 mm deep, with fixed rack

Number of U	Ext. dimensions (mm)			Reference
	Height	Width	Depth	
5	300	600	400	NSYVDM5U4F
8	400	600	400	NSYVDM8U4F
10	500	600	400	NSYVDM10U4F
14	700	600	400	NSYVDM14U4F
17	800	600	400	NSYVDM17U4F



1-body enclosure with swing rack

1-body enclosure, 400 mm deep, with swing rack

Number of U	Ext. dimensions (mm)			Reference
	Height	Width	Depth	
4	300	600	400	NSYVDM4U4P
7	400	600	400	NSYVDM7U4P
9	500	600	400	NSYVDM9U4P
13	700	600	400	NSYVDM13U4P
16	800	600	400	NSYVDM16U4P

- These enclosures are available equipped with a 19" swing rack or a 19" fixed rack.
- Enclosure in 2 pieces: body + door.
- Heights: 4, 7, 9, 13 and 16 U with a swing rack and 5, 8, 10, 14 and 17 U with a fixed rack.
- Cable-gland plate at the bottom of the enclosure
- Fixed rack depth-adjustable in steps of 25 mm using the step slides.
- Maximum load: 3 kg per unit.

19" enclosure, IP 66

Introduction and selection guides



FB650203

Spacial VDM 2-body 19" enclosure steel

Rear

- Depth: 150 mm.
- Internal attachment point for fixing various supports.
- Hinges and locking system with the body.
- Cable-gland plate at the top and bottom.

Body

- Usable depth of 183 or 283 mm.
- Two 19" uprights made from treated steel, installed 65 mm back from the front panel.
- Height: 5, 8, 10, 14 and 17 U.
- Intermediate body installed on the rear with 120° hinge.
- Maximum load: 2 kg per unit.

2-body enclosure, 380 mm deep, with fixed rack

Number of U	Ext. dimensions (mm)			Reference
	Height	Width	Depth	
5	300	600	380	NSYVD2M5U4
8	400	600	380	NSYVD2M8U4
10	500	600	380	NSYVD2M10U4
14	700	600	380	NSYVD2M14U4
17	800	600	380	NSYVD2M17U4

2-body enclosure, 480 mm deep, with fixed rack

Number of U	Ext. dimensions (mm)			Reference
	Height	Width	Depth	
5	300	600	480	NSYVD2M5U5
8	400	600	480	NSYVD2M8U5
10	500	600	480	NSYVD2M10U5
14	700	600	480	NSYVD2M14U5
17	800	600	480	NSYVD2M17U5



See also
the accessories

Accessories for
mounting plates
page 7/9

Cable-gland entries
without connectors
page 7/108

Cable-management
accessories
page 7/121

19" enclosure, IP 66

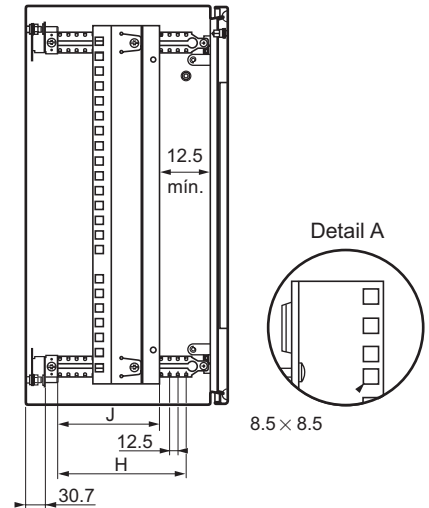
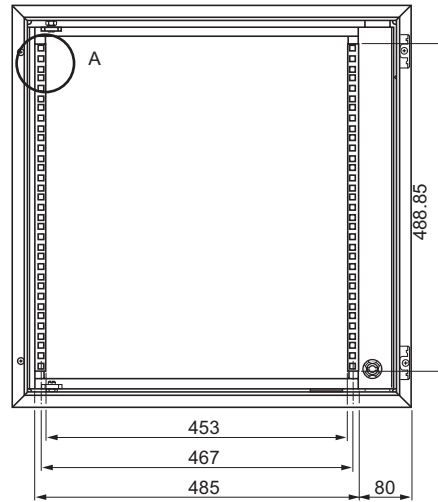
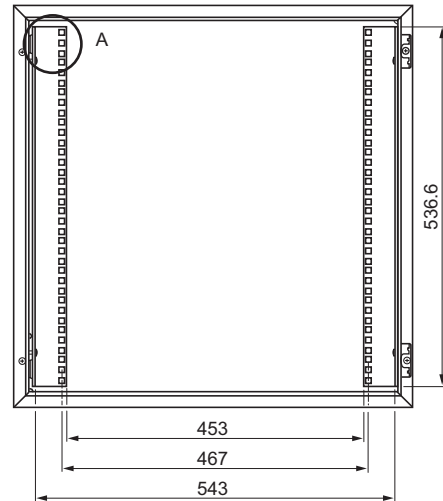
Dimensions

Fixed chassis

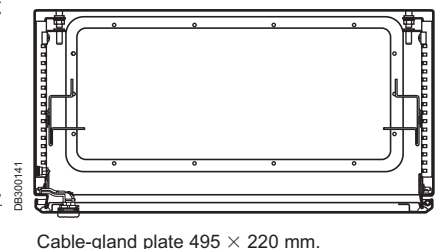
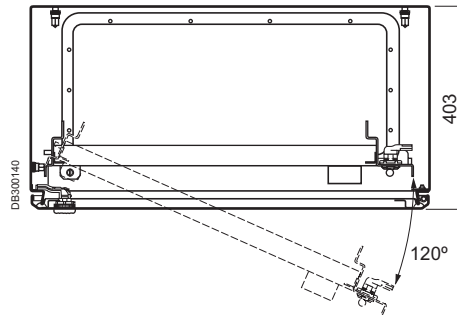
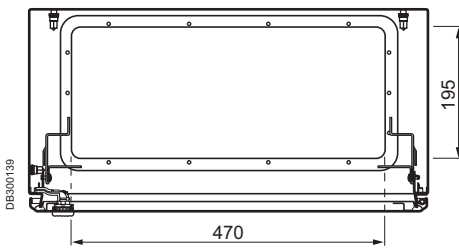
Swing chassis

Fixed chassis mounted on the step slides

Lateral view



Top view



Cable-gland plate 495 × 220 mm.

H (bars) (mm)	J (travel) (mm)
200	100
250	150
300	200
400	300

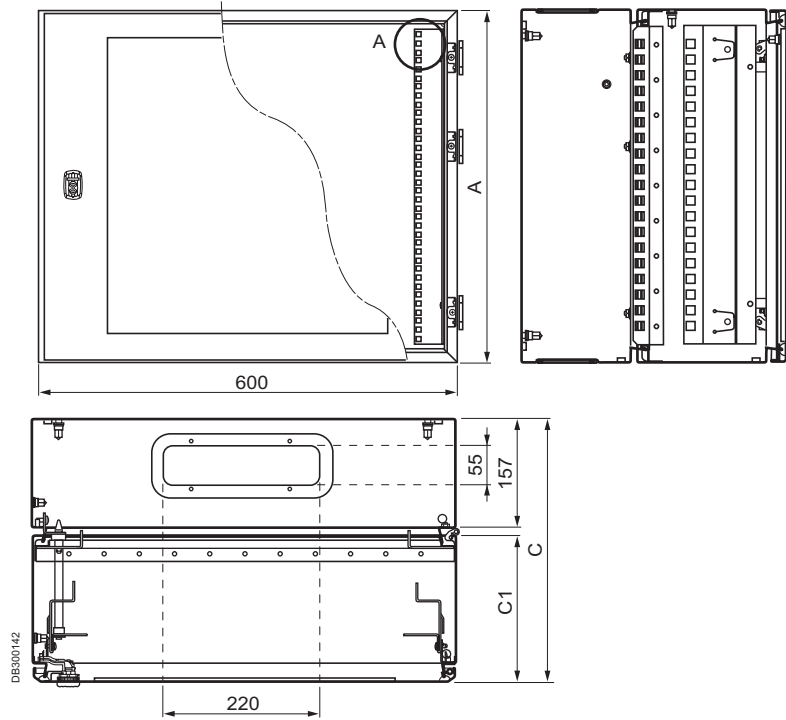
Enclosures dimension			Fixed chassis	Swing chassis	Unit number	D	E	F	G
Height (A)	Width (B)	Depth (C)							
400	600	250/300	NSYVDM8UF		8	-	359	188/238	61
600	600	250/300	NSYVDM12UF		12	-	537	188/238	61
800	600	250/300/400	NSYVDM17UF		17	-	759	188/238/338	61
1000	600	250/300	NSYVDM21UF		21	-	937	188/238	61
400	600	250/300		NSYVDM7UP	7	342	311	188/238	59
600	600	250/300		NSYVDM11UP	11	542	489	188/238	59
800	600	250/300/400		NSYVDM16UP	16	742	711	188/238/338	59
1000	600	250/300		NSYVDM20UP	20	942	889	188/238	59
1000	800	250/300/400		NSYVDM20U8P	20	942	889	188/238/338	59
1200	800	300/400		NSYVDM20U8P	25	1142	1111	238/338	59

Cable-gland plate S3D type dimensions 495 × 220 mm.

19" enclosure, IP 66

Dimensions

2-body 19" enclosure



A (mm)	C (mm)	C1 (mm)	Reference
300	373	183	NSYVD2M5U4
400	373	183	NSYVD2M5U5
500	373	183	NSYVD2M8U4
700	373	183	NSYVD2M8U5
800	373	183	NSYVD2M10U4
300	473	283	NSYVD2M10U5
400	473	283	NSYVD2M14U4
500	473	283	NSYVD2M14U5
700	473	283	NSYVD2M17U4
800	473	283	NSYVD2M17U5

Cable-gland plate S3D type dimensions 245 × 80 mm.

19" enclosure, IP 66

Selection guide

Steel VDM enclosure and accessories



Number of U	External dimensions (mm)			1 body		2 bodies	Handle with key n° 405	Wall-fixing lugs	Earthing kit
	Height	Width	Depth	Fixed rack	Swing rack	Fixed rack			
4	300	600	400	-	NSYVDM4U4P	-	NSYAEDL405S3D	NSYAEFPFSC	NSYEL166D8
5	300	600	400	NSYVDM5U4F	-	NSYVD2M5U4	NSYAEDL405S3D	NSYAEFPFSC	NSYEL166D8
5	300	600	500	-	-	NSYVD2M5U5	NSYAEDL405S3D	NSYAEFPFSC	NSYEL166D8
7	400	600	400	-	NSYVDM7U4P	-	NSYAEDL405S3D	NSYAEFPFSC	NSYEL166D8
8	400	600	400	NSYVDM8U4F	-	NSYVD2M8U4	NSYAEDL405S3D	NSYAEFPFSC	NSYEL166D8
8	400	600	500	-	-	NSYVD2M8U5	NSYAEDL405S3D	NSYAEFPFSC	NSYEL166D8
9	500	600	400	-	NSYVDM9U4P	-	NSYAEDL405S3D	NSYAEFPFSC	NSYEL166D8
10	500	600	400	NSYVDM10U4F	-	NSYVD2M10U4	NSYAEDL405S3D	NSYAEFPFSC	NSYEL166D8
10	500	600	500	-	-	NSYVD2M10U5	NSYAEDL405S3D	NSYAEFPFSC	NSYEL166D8
13	700	600	400	-	NSYVDM13U4P	-	NSYAEDL405S3D	NSYAEFPFSC	NSYEL166D8
14	700	600	400	NSYVDM14U4F	-	NSYVD2M14U4	NSYAEDL405S3D	NSYAEFPFSC	NSYEL166D8
14	700	600	500	-	-	NSYVD2M14U5	NSYAEDL405S3D	NSYAEFPFSC	NSYEL166D8
16	800	600	400	-	NSYVDM16U4P	-	NSYAEDL405S3D	NSYAEFPFSC	NSYEL166D8
17	800	600	400	NSYVDM17U4F	-	NSYVD2M17U4	NSYAEDL405S3D	NSYAEFPFSC	NSYEL166D8
17	800	600	500	-	-	NSYVD2M17U5	NSYAEDL405S3D	NSYAEFPFSC	NSYEL166D8

Selection guide for S3D universal enclosures to be equipped with 19" fixed or swing rack



Enclosure dimensions (mm)			Reference of the empty enclosure		Fixed rack (1)		Swing rack (1)	
Height	Width	Depth	Glazed door	Plain door	Reference	Number of U	Reference	Number of U
400	600	250	NSYS3D4625T	NSYS3D4625	NSYVDM8UF	8	NSYVDM7UP	7
600	600	250	NSYS3D6625T	NSYS3D6625	NSYVDM12UF	12	NSYVDM11UP	11
600	600	300	NSYS3D6630T	NSYS3D6630	NSYVDM12UF	12	NSYVDM11UP	11
600	600	400	NSYS3D6640T	NSYS3D6640	NSYVDM12UF	12	NSYVDM11UP	11
800	600	250	NSYS3D8625T	NSYS3D8625	NSYVDM17UF	17	NSYVDM16UP	16
800	600	300	NSYS3D8630T	NSYS3D8630	NSYVDM17UF	17	NSYVDM16UP	16
800	600	400	NSYS3D8640T	NSYS3D8640	NSYVDM17UF	17	NSYVDM16UP	16
1000	600	250	NSYS3D10625T	NSYS3D10625	NSYVDM21UF	21	NSYVDM20UP	20
1000	600	400	NSYS3D10640T	NSYS3D10640	NSYVDM21UF	21	NSYVDM20UP	20
1000	800	250	NSYS3D10825T	NSYS3D10825	-	-	NSYVDM20U8P	20
1000	800	300	NSYS3D10830T	NSYS3D10830	-	-	NSYVDM20U8P	20
1000	800	400	NSYS3D10840T	NSYS3D10840	-	-	NSYVDM20U8P	20
1200	800	300	NSYS3D12830T	NSYS3D12830	-	-	NSYVDM25U8P	25
1200	800	400	NSYS3D12840T	NSYS3D12840	-	-	NSYVDM25U8P	25

(1) The racks are to be ordered separately.

> For the roof
Page 2/56



> For fixing
Page 2/48

> For coupling
Page 2/55

> For mounting
Page 7/2

> For the door
Page 7/132

> Thermal management
Page 8/14

> Customised offer
Page 0/8

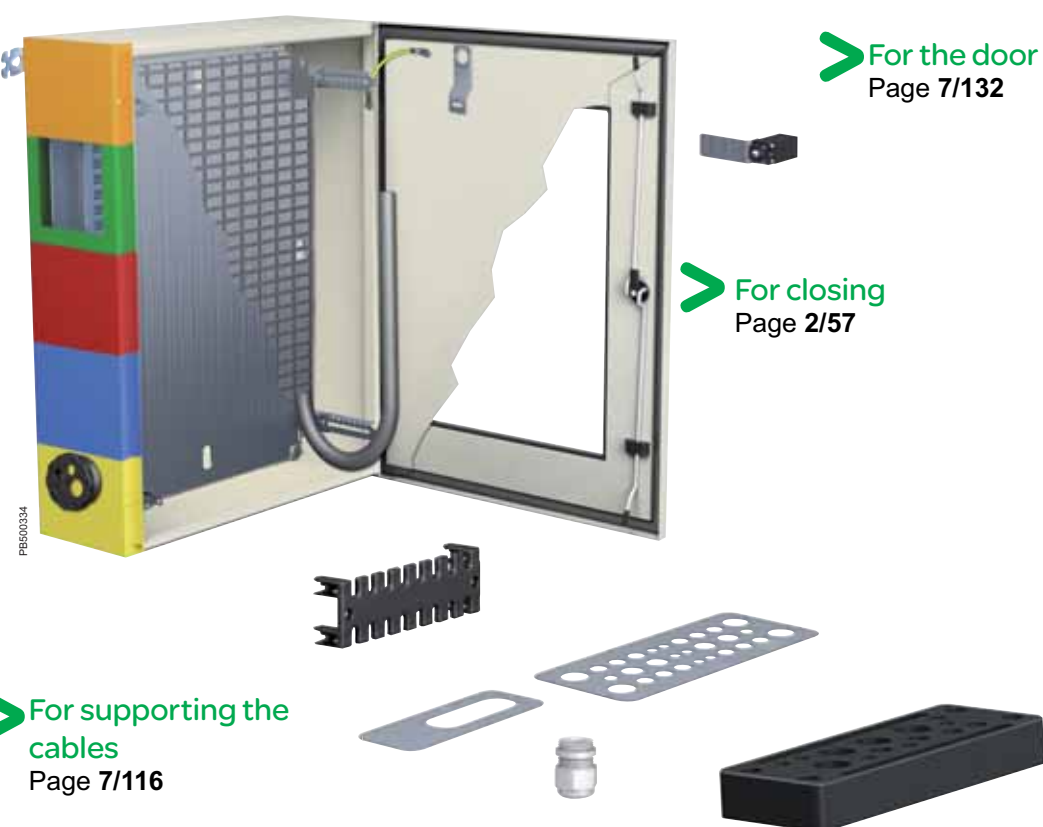
> For closing
Page 2/57

> For cable management
Page 7/121

> For supporting the cables
Page 7/116

> For cable entries
(Cable-gland plate)
Page 2/62

> For cable entries
(Membranes, cable glands)
Page 7/100



See also
the accessories

Mounting plate
page 7/2

Modular Chassis
page 7/70

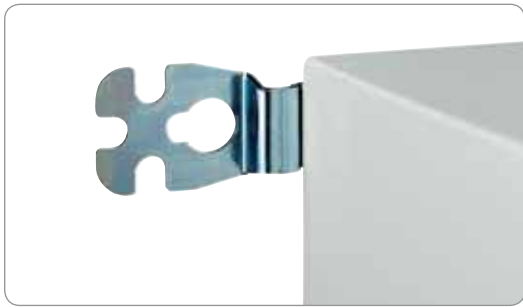
19" Chassis enclosure
page 2/46

DIN rail and fixings
page 7/50

Composition accessories

Fixing accessories

2



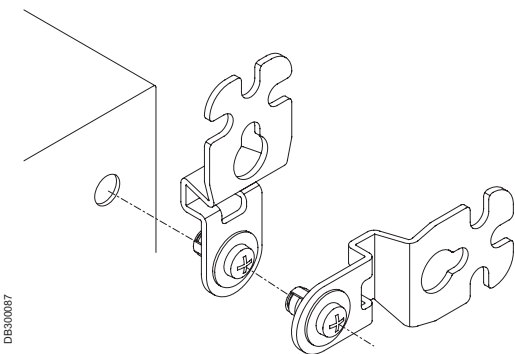
PB500022

Wall-fixing lugs

Set of 4 wall-fixing lugs

- Mounted directly on the rear of the enclosure, either in horizontal or vertical position.
- Two types of position, steel and 304 stainless-steel, for a wall-enclosure separation of 10 mm.
- Acceptable load:
 - Horizontal lug: 180 kg.
 - Vertical lug: 350 kg.
- Supplied with fixing screws and pre-mounted sealing gaskets.

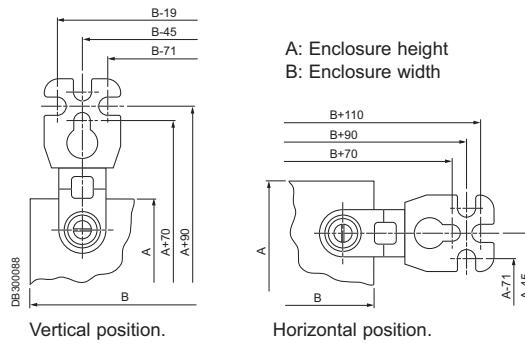
Description	Reference
Set of 4 steel fixing lugs	NSYAEFPFSC
Set of 4 stainless-steel fixing lugs	NSYAEFPFXSC



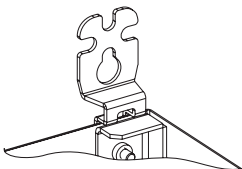
Installation from the outside.

DB300087

Fixing centre-to-centre distance with lugs (M8 screw)



DB300088

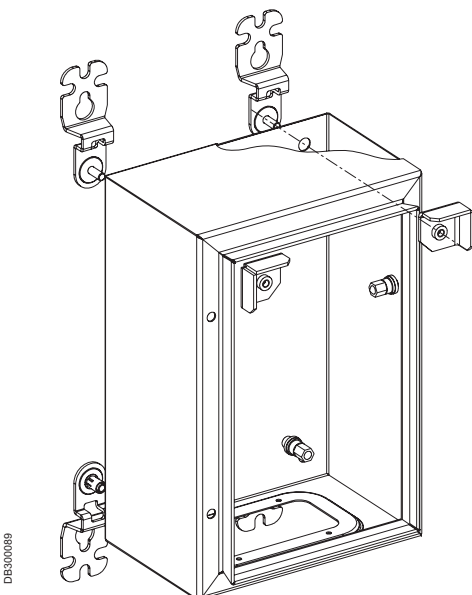


Kit for heavy loads

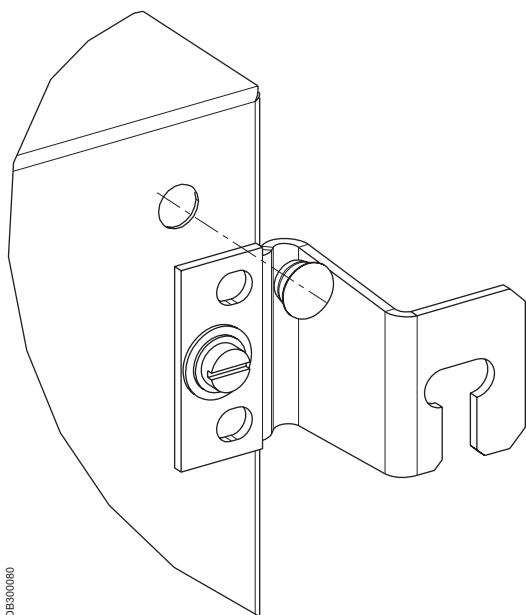
Kit made up of 2 steel reinforcement pieces.

- Maximum load, 400 kg.
- To be mounted before installing the mounting plate in top position with the standard lugs (to be ordered separately).

Description	Reference
Kit for heavy loads	NSYAEFAHLBSC



DB300089



Wall-fixing lugs with wall-enclosure separation

- Batch of 4 wall-fixing lugs.
- Separation of 40 mm from the wall at the rear of the enclosure.
- Need to drill a hole to prevent rotation.
- Steel material.
- Maximum load: 100 kg.

Reference

NSYAEFPF40SC



You will find the weights of the Spacial S3D enclosures without mounting plate in the selection guide on page **2/10**.

Composition accessories

Fixing accessories



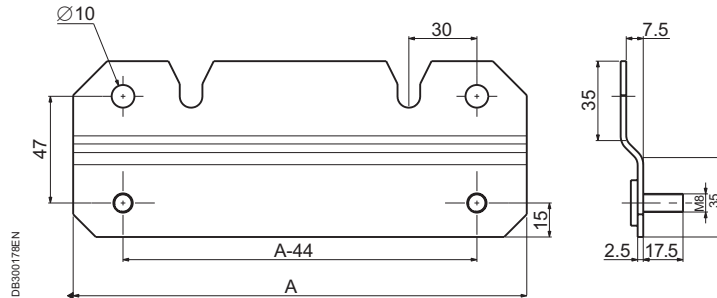
PE300458

Full-width wall fixing lugs

- Kit made of 2 parts (top and bottom).
- Made from passivated zinc-coated steel.
- Screwed from the inside.
- Permissible load 350 kg.

Width (mm)	Reference
200	NSYAEFPFS3DW20
300	NSYAEFPFS3DW30
400	NSYAEFPFS3DW40
500	NSYAEFPFS3DW50
600	NSYAEFPFS3DW60
800	NSYAEFPFS3DW80
1000	NSYAEFPFS3DW100
1200	NSYAEFPFS3DW120

A: Width of enclosure



Composition accessories

Fixing accessories



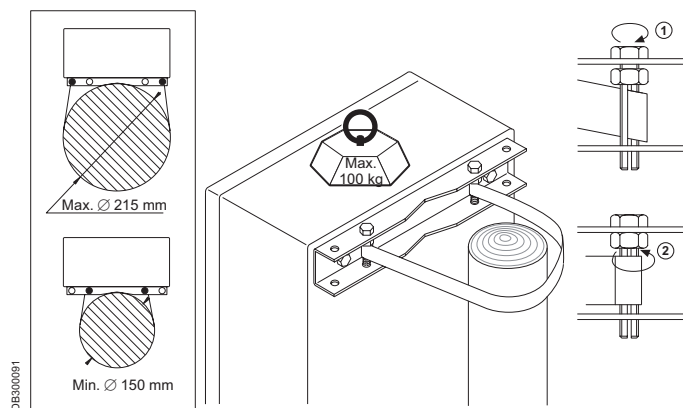
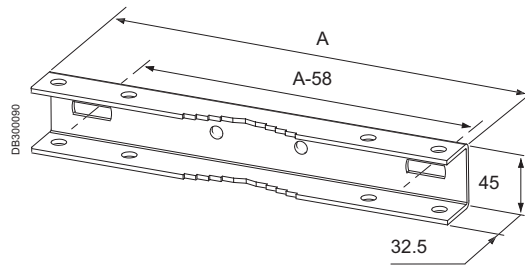
PE800156

Post-fixing device for Spacial steel enclosure

For indoor installations on posts with a maximum circumference of 675 mm (minimum diameter 150 mm and maximum diameter 215 mm).

- Material: galvanised steel.
- Rail fixed to the inserts in the rear of the enclosure with 8-mm screws.
- Maximum load: 100 kg.
- They allow the mounting of protection canopies.
- For steel enclosures with widths of 300, 400, 500, 600 and 800 mm.

Description	A (mm)	Reference
Post-fixing for enclosure with W 300 mm	295	NSYSFPSC30
Post-fixing for enclosure with W 400 mm	395	NSYSFPSC40
Post-fixing for enclosure with W 500 mm	495	NSYSFPSC50
Post-fixing for enclosure with W 600 mm	595	NSYSFPSC60
Post-fixing for enclosure with W 800 mm	795	NSYSFPSC80



2



Machining of your enclosure before painting with our customisation service.

Specific

Composition accessories

Fixing accessories

2



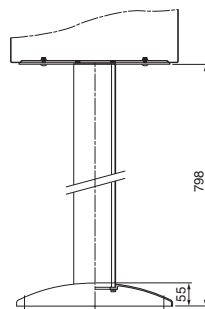
PB500039

Support pillar

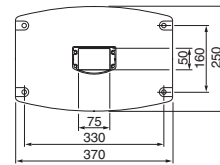
The support pillar is fixed directly to the bottom face of the Spacial steel enclosure by means of an adapter plate. The latter, to be ordered in addition to the pillar, replaces the cable-gland plate.

- Overall height of the support foot: 800 mm.
- Material: extruded aluminium, structured finish, polyester powder, RAL 7035 grey colour.
- Mounting possible on all enclosures with dimensions up to 600 × 400 × 250 mm (except 200 × 200 × 150 and 250 × 200 × 150 enclosures).

Description	Reference
Support pillar HT 800	NSYCOCN80



DB300084



PB500031

Support pillar adaptation plate

Plate for fixing the support pillar on the enclosure.

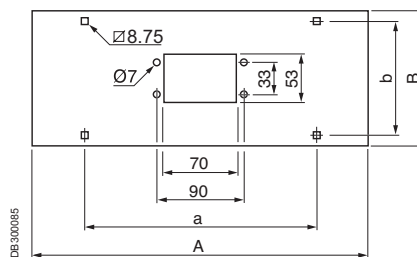
This plate replaces the cable-gland plate delivered with the enclosure.

- Material: steel, structured finish, polyester powder, RAL 7035 grey colour.

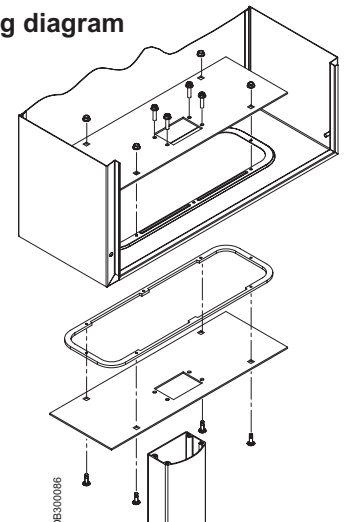
Enclosure width (mm)	Enclosure depth (mm)	A	B	a	b	Reference
300-400	150	280	110	140	67	NSYAEFP315S3D
300	200	280	160	140	117	NSYAEFP32S3D
400	200-250	380	160	240	117	NSYAEFP42S3D

Mounting diagram

Dimensions



DB300085



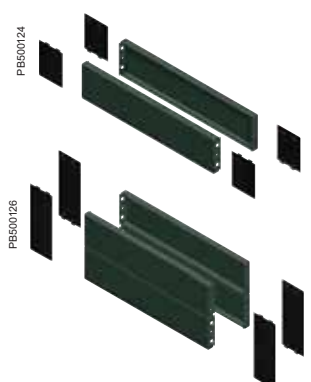
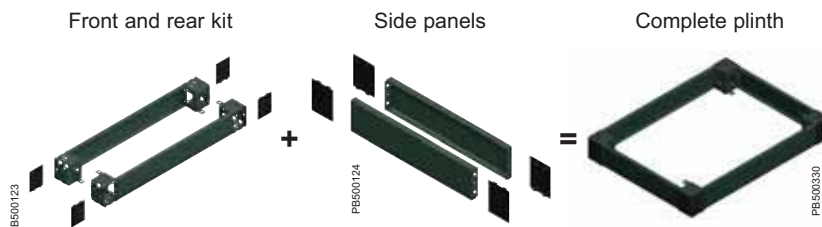
DB300086

Composition accessories

Fixing accessories

Plinth kit

The complete plinth consists of two elements: on the one hand, the front and rear kit, determined by the width of the enclosure and, on the other hand, the side panels determined by the depth of the enclosure.



Plinth side panels for Spacial steel enclosure

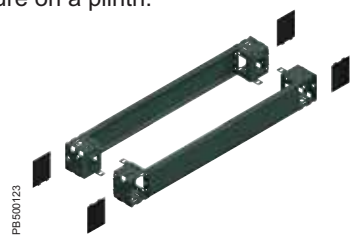
They are fixed to the corners of the plinth by two fixing screws.

- Material: folded sheet steel.
- Finishes: epoxy-polyester resin paint, RAL 7022 grey colour.
- Protection degree: IP 30 for the complete plinth.
- Resistance to external mechanical impacts: IK10.
- Models with heights: 100 and 200 mm.
- For enclosure depths 300 and 400 mm:
 - Height 100 mm: 2 side panels, 4 corner covers and fixing elements.
 - Height 200 mm: 4 side panels (height of 100 mm, 2 for each side), 4 corner covers and fixing elements.

Nominal dimensions (mm)	Reference	
	100 mm	200 mm
Depth		
300	NSYSPS3100SD	NSYSPS3200SD
400	NSYSPS4100SD	NSYSPS4200SD



Order ref. **NSYAPFWM** when mounting the wall-mounting enclosure on a plinth.



Front and rear plinth

Accessory shared with the Spacial SM floor-standing enclosure. Numerous options available: plain, ventilated, with cable gland. See page 3/43.

Nominal dimensions (mm)	Reference	
	100 mm	200 mm
Depth		
600	NSYSPF6100	NSYSPF6200
800	NSYSPF8100	NSYSPF8200
1000	NSYSPF10100	NSYSPF10200
1200	NSYSPF12100	NSYSPF12200



See also the accessories

Accessories for cable entries page 2/62

Cable-support accessories page 7/115

Cable-management accessories page 7/100

Composition accessories

Fixing accessories

2



Floor Stand Kit for wall-mounting enclosure

- Set of 2 feet, elevating wall-mounting enclosures.
- Cut-outs needed on enclosure – drilling template provided with the kit.
- Made of steel: thickness of 2.5 mm for the sides and 3 mm for the base.
- Coating: RAL 7035 gray polyester-powder finish.
- Maximum load: 500 kg.



Supply: 2 platform feet (right and left) and fixing elements.



Enclosure depth		Foot height		Reference
mm	inches	mm	inches	
300	12	300	12	NSYWMK33
400	16	300	12	NSYWMK43
300	12	450	18	NSYWMK34
400	16	450	18	NSYWMK44



The plinth is suitable for all Spacial S3DC enclosures but it cannot be mounted on width 600mm of Spacial CRN, CRNG and S3D enclosures.

Composition accessories

Coupling accessories



PB5000335

Installation example.

Coupling of Spacial steel enclosures

Available in 2 versions:

- Coupling version without cable entry.
- Version with coupling frame allowing the entry of cables.
- Separation of 17 mm between 2 coupled enclosures, allowing full opening of the doors.

Kit for fixing 2 joined enclosures

- Kit made up of 4 spacers and their fixings.

Coupling frame

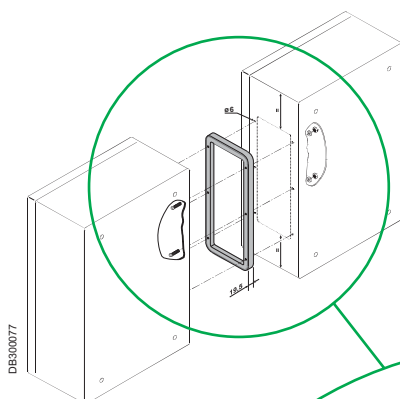
- Allows lateral coupling of 2 enclosures.
 - Frame made from polyester charged with fibreglass, self-extinguishing.
 - A built-in sealing gasket guarantees the protection degree of IP 66.
 - Mounting by screws, included.
 - Dimensions: 435 × 185 mm and 635 × 185 mm.
- These frames allow the door to open to 120°.

Description	Reference
Batch of 4 coupling spacers	NSYAEUBUSC
Coupling frame, 435 × 185 mm	NSYAEUBU41SC
Coupling frame, 635 × 185 mm	NSYAEUBU61SC



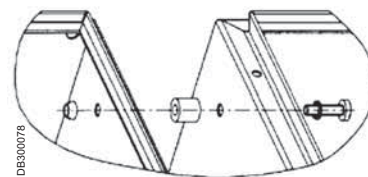
PB5000336

Version without cable entry.



DE300077

Version with cable entry.



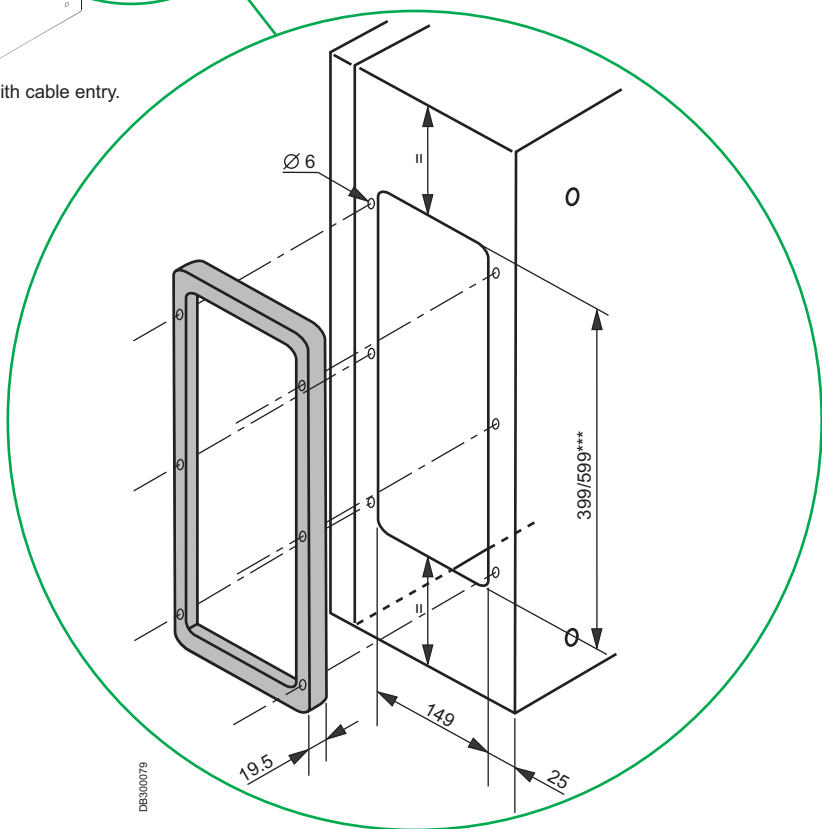
DE300078

Version without cable entry.



PB5000337

Version with cable entry.



DE300079

Composition accessories

Hoisting accessories

2

PE500338

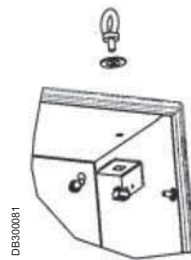


Eyebolts

Set of two M8 eyebolts.

- Material: zinc-coated moulded steel.
- They are fixed directly to the body of the floor-standing enclosure.
- Maximum load to be installed: 210 kg per enclosure when slinging at 60°.
- Cannot be installed with the canopy in place.
- Reinforcing brackets attached to the rings,
- These brackets also act as a drilling template.
- Have your cut-outs made by our configured service.
- Paint touch-up pen, page 7/145.

Description	Reference
Batch of 2 M8 eyebolts	NSYAELYTCRG8



DB300081

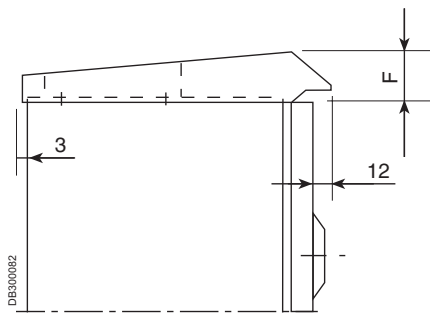
PE500329



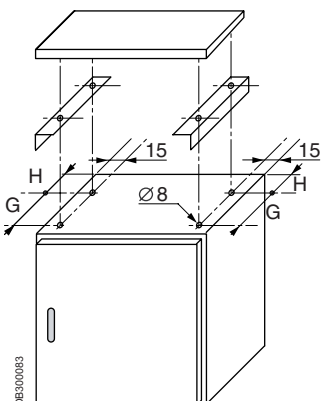
Protection canopy

Direct fixing to the body of the enclosure by 4 M6 screws.

- Material: sheet steel made from painted galvanised steel, structured finish, epoxy-polyester powder, RAL 7035 grey colour.
- Delivered with the fixings required for installation.
- To be used for all outdoor installations.
- Have your cut-outs made by our configured service.
- Paint touch-up pen, page 7/145.



DB300082



DB300083

For enclosure (mm)					
Width	Depth	F	G	H	Ref
200	150	36	75	23	NSYTJ2015
250	150	36	75	23	NSYTJ2515
300	150	36	75	23	NSYTJ3015
400	150	36	75	23	NSYTJ4015
500	150	36	75	23	NSYTJ5015
500	200	36	130	23	NSYTJ5020
600	200	36	130	23	NSYTJ6020
250	200	36	130	23	NSYTJ2520
300	200	36	130	23	NSYTJ3020
400	200	36	130	23	NSYTJ4020
800	200	36	130	23	NSYTJ8020
400	250	42	150	48	NSYTJ4025
500	250	42	150	48	NSYTJ5025
600	250	42	150	48	NSYTJ6025
800	250	42	150	48	NSYTJ8025
600	300	42	200	48	NSYTJ6030
800	300	42	200	48	NSYTJ8030
1000	300	42	200	48	NSYTJ10030
1200	300	42	200	48	NSYTJ12030
600	400	42	300	48	NSYTJ6040
800	400	42	300	48	NSYTJ8040
1000	400	42	300	48	NSYTJ10040
1200	400	42	300	48	NSYTJ12040

Dimensions and cut-outs.

Composition accessories

Locking accessories



Locks and inserts

Operating handle delivered with the enclosure.

- It can be attached to the locking system by means of a fixing element.
- It can also be used to loosen the caps protecting the studs when painting.

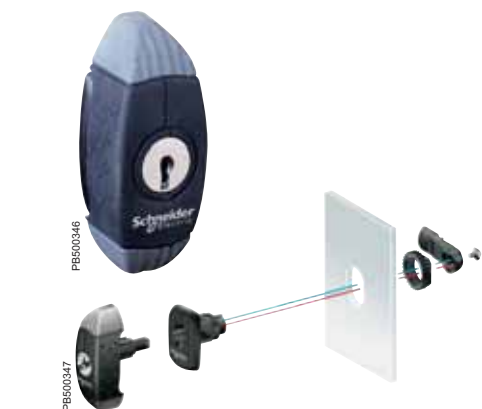
Standard locks

Spacial S3D wall-mounting enclosures are supplied with a 3 mm double-bar lock as standard.

- Spare lock: order ref. **NSYAEDLS3DRL** (escutcheon + cam + washer).
- Large range of standardised inserts covering all the most common needs.
- Installation and removal with a single screw.

Description	Reference of form insert*
6 mm square	NSYAEDLS6S3D
7 mm square	NSYAEDLS7S3D
8 mm square	NSYAEDLS8S3D
3 mm double bar	NSYAEDLB3S3D
5 mm double bar	NSYAEDLB5S3D
CNOMO 6.5 mm triangular	NSYAEDLT6S3D
8 mm triangular	NSYAEDLT8S3D

* Delivered with 1 plastic key.



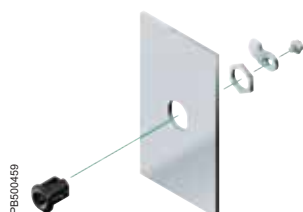
Standard handles with keys

Attractive and ergonomic bi-material handle.

- Large range of barrels covering all the most common needs.
- Standard cam (see diagram above).
- The installation of the standard handle does not require the escutcheon to be removed.

Description	Reference of handle with keys*
1242	NSYAEDL1242S3D
405	NSYAEDL405S3D
421	NSYAEDL421S3D
455	NSYAEDL455S3D
2331A	NSYAEDL2331S3D
2433A	NSYAEDL2433S3D
3113A	NSYAEDL3113S3D

* Delivered with 2 keys.



Other lock with screwdriver insert and metal latch

Reference
NSYAEDLSDS3D



Handle lock operated using screwdriver insert

Reference
NSYTSMLS3D

Composition accessories

Locking accessories

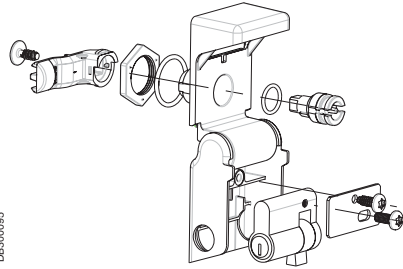


Double lock

- Easy mounting instead of the standard lock.
 - Material: zamack.
- Delivered with 3 mm double-bar metal key.

Description	Reference
DIN half-cylinder (1)	NSYAEDLDINS3D
Padlockable 405 (2)	NSYAEDLPADS3D

(1) Delivered without barrel. Please consult us.
 (2) Diameter 8 mm.



DB300095



Other locks with keys

Easy mounting instead of the standard lock.

- Metal cam supplied.

EDF lock	Reference
EDF 900	NSYAEDLEDF9S3D
EDF 1300	NSYAEDLEDF13S3D
EDF 1400	NSYAEDLEDF14S3D

2

Composition accessories

Locking accessories



"Push-close" locking system

The Spacial S3D enclosures can be transformed into push-close enclosures.

- The push-close enclosure is used in various applications and fully meets the security demands of the market.
- Locking system with a 6.5-mm push-close system in accordance with CNOMO standards.
- This system allows the door to be closed and locked by simply pushing it.
- System made up of a lock and a closure plate.
- IP 55 water and dust tightness.
- It is only installed on enclosures with 1 locking point (H < 600 mm).
- Other dimensions: contact us.

Description	Reference
Push-close lock for Spacial S3D enclosure	NSYAEDLPSS3D



See also the accessories

Door retainer
page 7/135

Door switch
page 7/127

Viewing accessories
on the door
page 7/136

Earth braids
page 7/140



FB600353

180° hinge.



FB600354

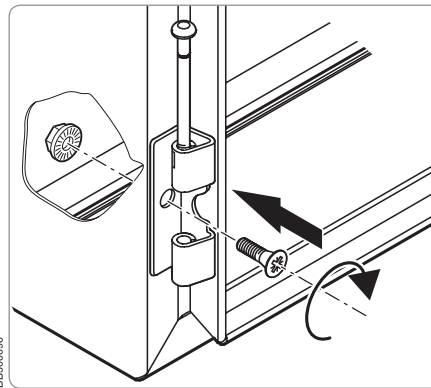
120° hinge.

Door hinges

Two models:

- For opening the door with an angle of 180°.
- Spare standard hinges (120°).
- Captive pin, indexed by a spring.
- Batch of 1 hinge, delivered with fixings.
- Material: zamack body for ref. **NSYAEDH180S3D**, treated sheet-steel body for ref. **NSYAEDH120S3D**, aluminium pin.
- For the 180° hinge, the maximum admissible load on the door is 20 kg / m².
- For the 120° hinge, the maximum admissible load on the door is 50 kg / m².

Description	Reference
180° hinge for S3D enclosure	NSYAEDH180S3D
Standard 120° hinge for S3D	NSYAEDH120S3D



DB6300096



See also
the accessories

Cable management
on the door
page 7/116

Document pocket
page 7/132

Internal door
page 2/61

Composition accessories

Door accessories



PE500328

Internal door

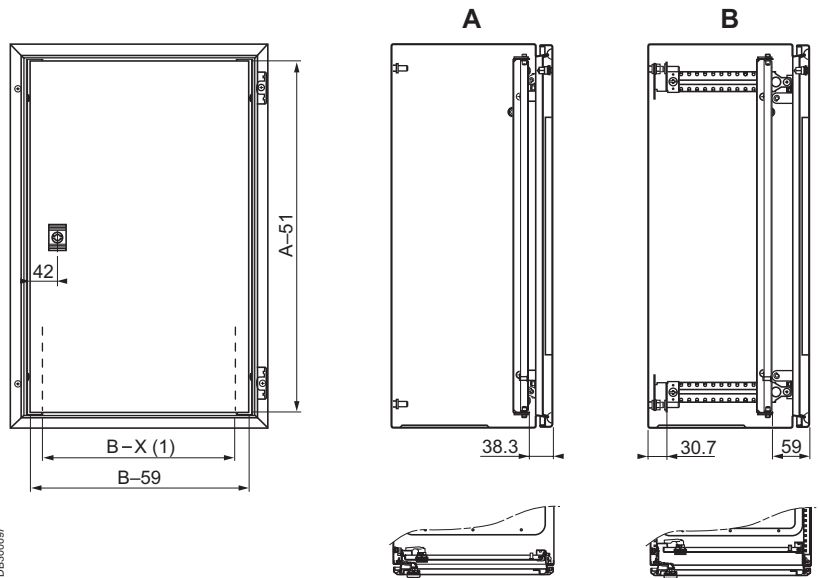
- Sheet-steel door, RAL 7035 grey colour.
- Locking with 3-mm double-bar lock.
- Maximum load, 30 kg/m².
- The internal door can be installed directly on the front face of the enclosure or on the step slides (not supplied as standard).
- To mount an inner door and a mounting plate at the same time on the step slides is possible as standard.
- Incompatible with the installation of the door stop and door switch. For further details, please consult us.

Dimensions	References
H 400 × L 300 mm	NSYPIN43
H 500 × L 400 mm	NSYPIN54
H 600 × L 400 mm	NSYPIN64
H 700 × L 500 mm	NSYPIN75
H 800 × L 600 mm	NSYPIN86*
H 1000 × L 600 mm	NSYPIN106*
H 1000 × L 800 mm	NSYPIN108*
H 1200 × L 600 mm	NSYPIN126
H 1200 × L 800 mm	NSYPIN128*

* Equipped with welded vertical profiles in order to facilitate cable management.

Dimensions

Installation on the front of the enclosure (A) or installation on step slides (B).



(1) Dimension resulting from installation on step slides: B-83 mm.
Dimension resulting from direct installation (without step slides): B-91 mm.



See also
the accessories

Support for cable ducting
with diameter 22
page 7/122

Support for adhesive
DIN rail
page 7/50

Cable ducting and
ducting support
page 7/121

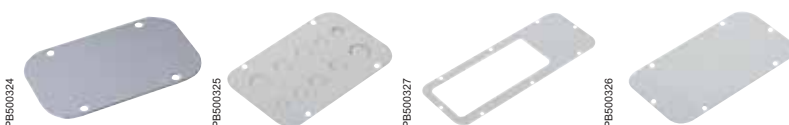
Composition accessories

Cable-entry accessories

2



- The cable-gland plates are delivered with a separate gasket to facilitate machining and paint dusting.
- The plates are installed across the thickness of the enclosure body.
- Fixing by screws.



For wall-mounting enclosures		Type	Plate dimensions (mm)		Cable-gland plate references			
Width (mm)	Depth (mm)		W	D	In standard steel page 2/63	Knock-out in steel page 2/64	Steel with cut-outs for membranes (1) page 2/65	Aluminium page 2/63
200-250 (4)	150	A	140	80	NSYTLA	NSYTLAK		NSYTLAU
300-400	150	B	245	80	NSYTLB	NSYTLBK	NSYTLBFL	NSYTLBU
300	200	C	245	130	NSYTLC	NSYTLCK	NSYTLCFL	NSYTLCU
400	200-250	D	345	130	NSYTLD	NSYTLDK	NSYTLDFL	NSYTLDU
500	200-250	E	445	130	NSYTLE	NSYTLEK	NSYTLEFL	NSYTLEU
600	200-250	F	545	130	NSYTLF	NSYTLFK	NSYTLFFL NSYTLF2FL (2)	NSYTLFU
600	300-400	G	495	220	NSYTLG	NSYTLGK	NSYTLG2FL (2) (3)	NSYTLGU
800	250-300-400	D*	345	130	2 × NSYTLD	2 × NSYTLDK	2 × NSYTLDFL	2 × NSYTLDU
1000-1200	300-400	E*	445	130	2 × NSYTLE	2 × NSYTLEK	2 × NSYTLEFL	2 × NSYTLEU

* Enclosure with 2 cable-gland plates.

(1) Cut-out FL13 for depth 150 mm; and cut-out FL21 for other depths.

(2) With 2 FL21 cut-outs.

(3) With 4 FL21 cut-outs, ref. NSYTLG4FL.

(4) TLAF1 cannot be mounted on enclosure width 200 and depth 150.



Specific

Do you require your cable-gland plate to have a different position on your wall-mounting enclosure? Please consult our specific offer, page 0/7.





Standard cable-gland plate

- Plate delivered as standard with the Spacial S3D universal enclosure.
Material: steel, 1.5 mm thick.
- Surface with markings in steps of 25 mm, to facilitate drilling.
 - Fixing by 4, 6, 8, 10 or 12 screws, according to the model.



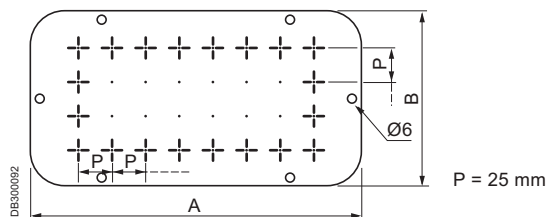
Aluminium cable-gland plate

- Material: brushed-finish aluminium with a thickness of 3 mm.
- Fixing by 4, 6, 8, 10 or 12 screws, according to the model.
 - Suitable for non-magnetic applications.

Dimensions

Aluminium or standard cable-gland plates

Dimensions (mm)		N° of Ø 6 holes	N° of markings ⁽¹⁾	References	
A	B			Standard	Aluminium
140	80	4	8	NSYTLA	NSYTLAU
245	80	4	16	NSYTLB	NSYTLBU
245	130	6	32	NSYTLC	NSYTLCU
345	130	8	48	NSYTLD	NSYTLDU
445	130	9	64	NSYTLE	NSYTLEU
545	130	10	80	NSYTLF	NSYTLFU
495	220	12	126	NSYTLG	NSYTLGU



(1) Only the standard cable gland plate in painted steel version has the markings.



See also the accessories

Cable gland page 7/110

Cable-entry membranes page 7/103

Quick cable entries page 7/108

Composition accessories

Cable-entry accessories



PB500325

ISO knock-out cable-gland plates

With ISO knock-out holes.

- Material: steel, structured finish, polyester powder, RAL 7035 grey colour.
- Fixing by 6, 8, 10 or 12 screws, according to the model.
- Mounting instead of the Spacial S3D plate.

2

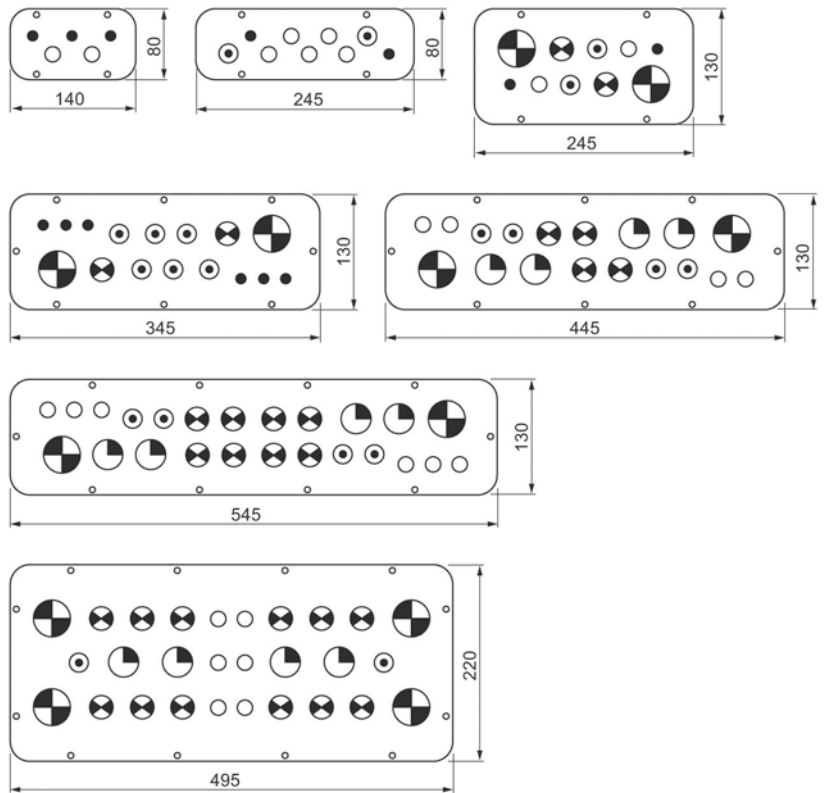


PB500341

Example

Cable-support and earth-connection accessories, page 7/140.
Cable glands, see page 7/110.

Knock-out cable-gland plates



Symbol	Ø (mm)	M	NSYTLAK	NSYTLBK	NSYTLCK	NSYTLDK	NSYTL EK	NSYTLFK	NSYTLGK
⊙	12.5	12	3	2	2	6	-	-	-
⊕	16.5	16	2	5	2	-	4	6	6
⊗	20.5	20	-	2	2	6	4	4	2
⊘	25.5	25	-	-	2	2	4	8	12
⊚	32.5	32	-	-	-	-	4	4	4
⊛	40.5	40	-	-	2	2	2	2	4



Do you need another entry definition? Please consult our specific service.

Specific

Composition accessories

Cable-entry accessories



PB500327

Cable-gland plates with FL type cut-out for cable-gland membranes

Material: steel, structured finish, structured RAL 7035.

- Fixing by 4, 6, 8, 10 or 12 screws, according to the model.
- Mounting instead of the Spacial S3D plate.
- Cut-outs for installation of membranes type FL 21, page 7/103.

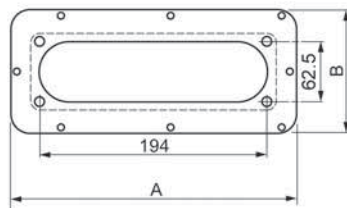
For wall-mounting enclosures		Type	Dimensions (mm)	
Width (mm)	Depth (mm)		A	B
250	150	A	140	80
300-400	150	B	245	80
300	200	C	245	130
400	200-250	D	345	130
500	200-250	E	445	130
600	200-250	F	545	130
600	300-400	G	495	220



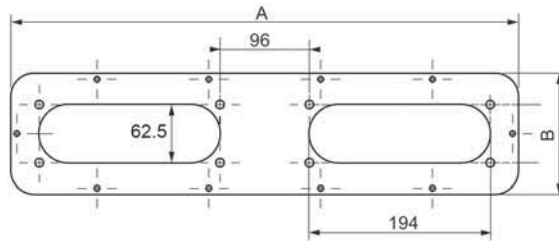
PB500462

Exemple of mounting.

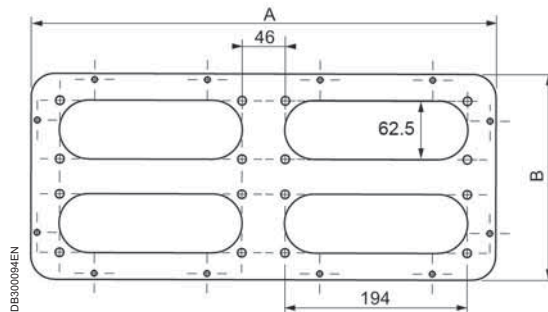
Dimensions of the cut-out



Reference
NSYTLCLFL
NSYTLDFL
NSYTLFL
NSYTLFFL
NSYTLGFL



Reference
NSYTLF2FL
NSYTLG2FL



Reference
NSYTLG4FL

DB300094EN



PB500342



Specific

Do you want the cut-out made directly on the body of your enclosure? Please consult our specific service.

The Control and Human-Machine Dialogue enclosure, ideal for all your interfaces

2

Robustness
Fixing on metal support.
Metal tube.
Fixing on aluminium enclosure.

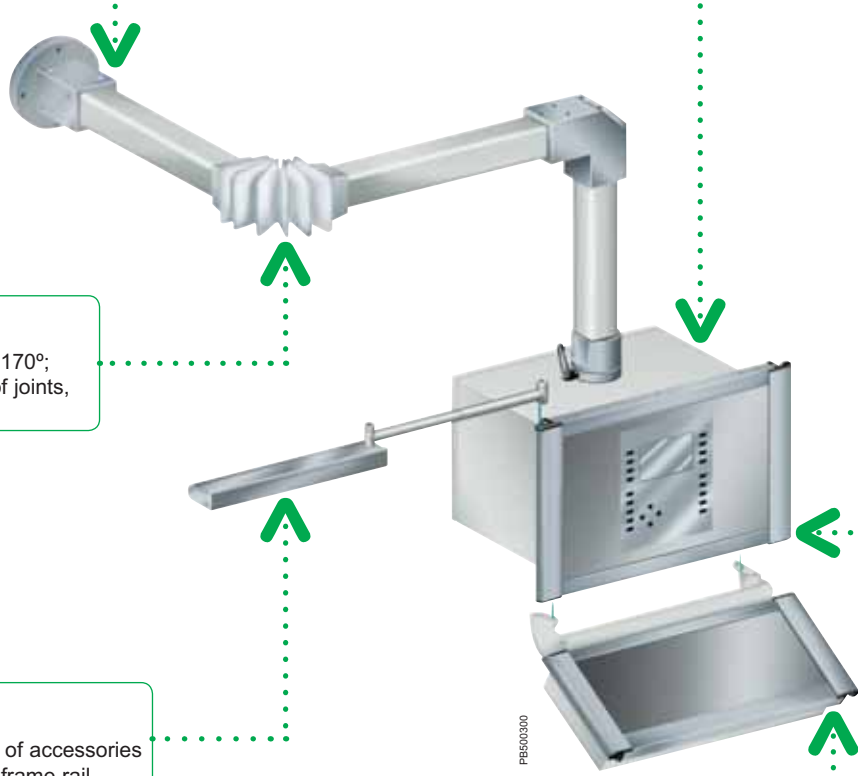
Choice
8 dimensions.

Flexibility
Rotation through 170°;
complete range of joints,
fixed or rotating.

Ergonomics
The rail of the
frame guarantees
good rigidity for
the enclosure.

Easy
Direct installation of accessories
on the enclosure frame rail.

Practical
Keyboard box fixed
directly on the enclosure.



Spacial S3CM

The Spacial S3CM offer for human-machine dialogue consists of:

- Control enclosures.
- A box-keyboard.
- A system of arms and joints, fixed or rotating.
- Accessories.

The global dialogue system combines robustness with aesthetics and ergonomics.

Choice

8 enclosure sizes, with steel body, from 300 × 300 × 200 mm to 800 × 600 × 300 mm.

Solid

IK 10.
Top wall reinforced by a plate with a thickness of 3 mm.

Sealing

IP 54, polyurethane gasket.

Aesthetics

Extruded aluminium rail frame.
RAL 7040 paint: body.
RAL 7035 paint: enclosure.

Customisation to your image or the aesthetics of your machine: consult us.

Easy

Easy access to the equipment by a rear door, opening to 120°.

Robustness

2 tube sizes in extruded steel, 50 and 80 mm square, thickness 4 mm.

Practical

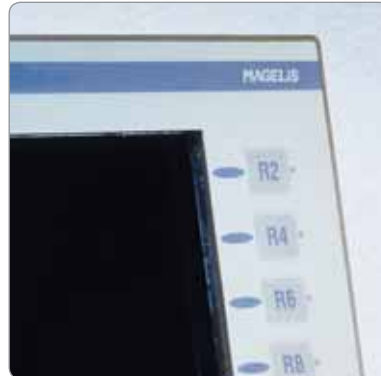
Large range of accessories.

Smart

- Direct installation of accessories on the enclosure frame rail:
 - Lighting.
 - Vertical document support.
 - Keyboard support.
 - Laptop computer support.
- A box-keyboard is installed directly on the enclosure.

Standard equipment

2 perforated rails installed on the 2 lateral sides, for installing equipment, earth connection installed on the body.



Specific

Customised enclosure production, contact us.

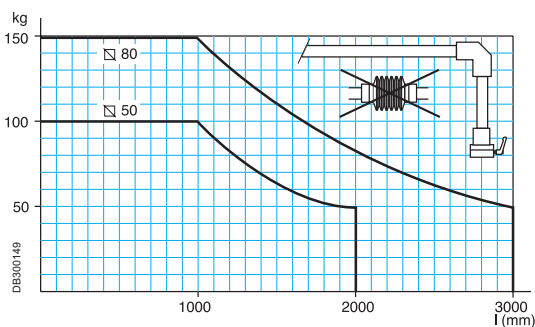
Choice of models according to the load and the overhang



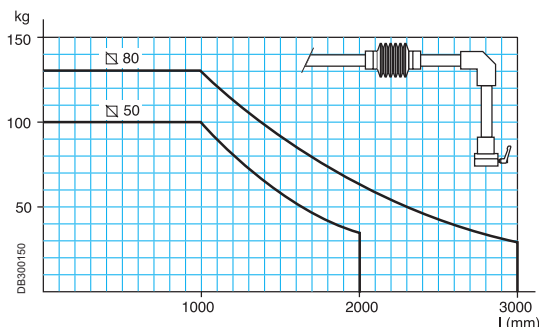
Our system of tubes and joints, fixed or rotating, enables all the solutions to respond to the installation needs of the control enclosures for human-machine dialogue. Every model is suitable for tubes with a square section of 50 mm for light loads, or of 80 mm for heavy loads (see selection table on page 2/70).

2

Without intermediate joint

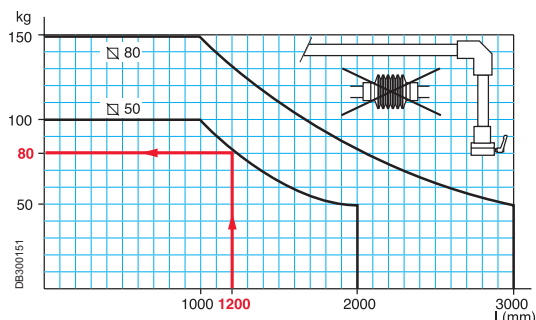


With intermediate joint



Examples

1- Without intermediate joint

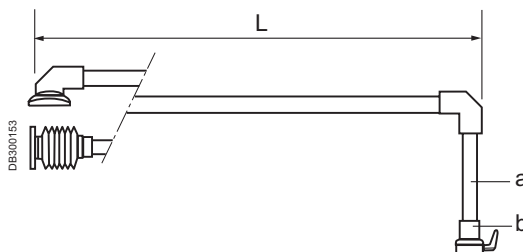


1- Suspension system without intermediate joint attached:

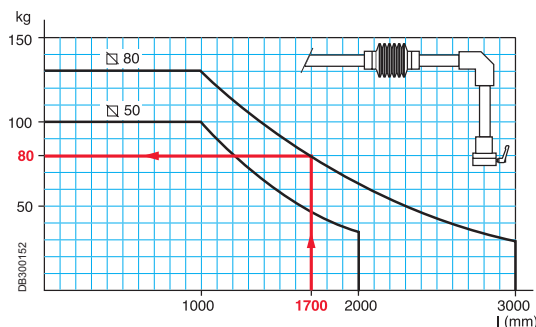
The load ($a + b + \text{enclosure} + \text{installed equipment}$) must be less than the maximum load.

Example:

Using a system with a diameter of 50 mm, without intermediate joint, with an offset of 1200 mm, the maximum supported load is 80 kg.



2- With intermediate joint

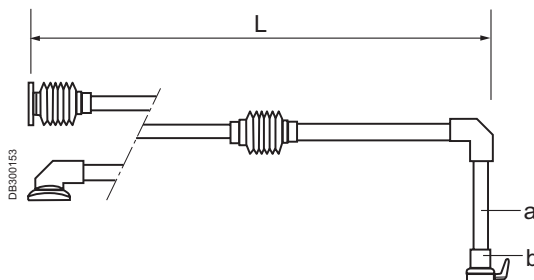


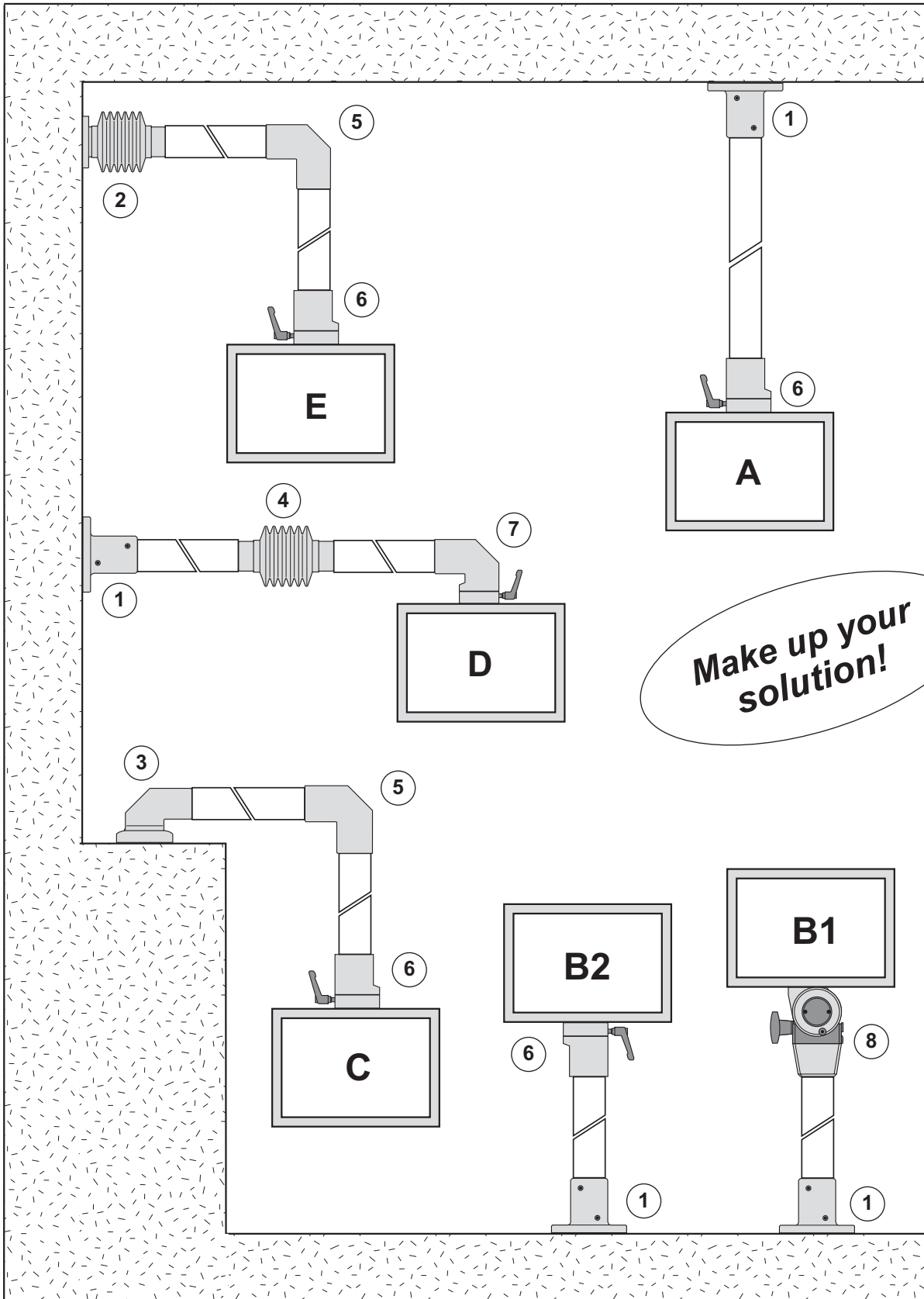
2- Suspension system with intermediate joint attached:

The load ($a + b + \text{enclosure} + \text{installed equipment}$) must be less than the maximum load.

Example:






Using a system with a diameter of 80 mm, without intermediate joint, with an offset of 1700 mm, the maximum supported load is 80 kg.















DE300154

2

Enclosure	H × W × D (mm) top wall	References					
		To ceiling		B1 floor		B2 floor	
		50 mm	80 mm	50 mm	80 mm	50 mm	80 mm
	300 × 300 × 200	NSYS3CM303020	-	NSYS3CM303020	-	NSYS3CM303020	-
	300 × 400 × 200	NSYS3CM304020	-	NSYS3CM304020	-	NSYS3CM304020	-
	400 × 400 × 200	NSYS3CM404020	-	NSYS3CM404020	-	NSYS3CM404020	-
	400 × 600 × 250	NSYS3CM406025	-	NSYS3CM406025	-	NSYS3CM406025	-
	500 × 500 × 250	NSYS3CM505025	-	NSYS3CM505025	-	NSYS3CM505025	-
	600 × 600 × 200	NSYS3CM606020	-	NSYS3CM606020	-	NSYS3CM606020	-
	600 × 800 × 300	-	NSYS3CM608030	-	NSYS3CM608030	-	NSYS3CM608030
	800 × 600 × 300	-	NSYS3CM806030	-	NSYS3CM806030	-	NSYS3CM806030
Tube	Length (m) / Tube section	50 mm	80 mm	50 mm	80 mm	50 mm	80 mm
	0.5	NSYCMT5005	NSYCMT8005	NSYCMT5005	NSYCMT8005	NSYCMT5005	NSYCMT8005
	1	NSYCMT5010	NSYCMT8010	NSYCMT5010	NSYCMT8010	NSYCMT5010	NSYCMT8010
	1.5	NSYCMT5015	NSYCMT8015	NSYCMT5015	NSYCMT8015	NSYCMT5015	NSYCMT8015
	2	NSYCMT5020	NSYCMT8020	NSYCMT5020	NSYCMT8020	NSYCMT5020	NSYCMT8020
Fixing on support (steel material)							
	① Fixed base	NSYCMUMR50	NSYCMUMR80	NSYCMUMR50	NSYCMUMR80	NSYCMUMR50	NSYCMUMR80
	② Wall fixing with joint	-	-	-	-	-	-
	③ Rotating straight fitting	-	-	-	-	-	-
Inter-tube fitting (aluminium material)							
	④ Horizontal inter-tube joint	-	-	-	-	-	-
	⑤ Fixed bracket	-	-	-	-	-	-
Fixing on enclosure (aluminium material)							
	⑥ Rotating fixing on enclosure	NSYCMUCR50	NSYCMUCR80	-	-	NSYCMUCR50	NSYCMUCR80
	⑦ Rotating fixing in bracket on enclosure	-	-	-	-	-	-
	⑧ Tilting fixing on enclosure	-	-	NSYCMUCP50 (1) NSYCMUCP80 (2)	NSYCMUCP50 (3) NSYCMUCP80 (3)	-	-

(1) For tube Ø 50 mm.
 (2) For tube Ø 80 mm.
 (3) Installation on an enclosure D300 requires plate ref. NSYCMUCPAD87 (see page 2/82).

Enclosure	H × W × D (mm) top wall	References					
		C on frame.		D wall		E wall	
		50 mm	80 mm	50 mm	80 mm	50 mm	80 mm
	300 × 300 × 200	NSYS3CM303020	-	NSYS3CM303020	-	NSYS3CM303020	-
	300 × 400 × 200	NSYS3CM304020	-	NSYS3CM304020	-	NSYS3CM304020	-
	400 × 400 × 200	NSYS3CM404020	-	NSYS3CM404020	-	NSYS3CM404020	-
	400 × 600 × 250	NSYS3CM406025	-	NSYS3CM406025	-	NSYS3CM406025	-
	500 × 500 × 250	NSYS3CM505025	-	NSYS3CM505025	-	NSYS3CM505025	-
	600 × 600 × 200	NSYS3CM606020	-	NSYS3CM606020	-	NSYS3CM606020	-
	600 × 800 × 300	-	NSYS3CM608030	-	NSYS3CM608030	-	NSYS3CM608030
800 × 600 × 300	-	NSYS3CM806030	-	NSYS3CM806030	-	NSYS3CM806030	
Tube	Length (m) / Tube section	50 mm	80 mm	50 mm	80 mm	50 mm	80 mm
	0.5	NSYCMT5005	NSYCMT8005	NSYCMT5005	NSYCMT8005	NSYCMT5005	NSYCMT8005
	1	NSYCMT5010	NSYCMT8010	NSYCMT5010	NSYCMT8010	NSYCMT5010	NSYCMT8010
	1.5	NSYCMT5015	NSYCMT8015	NSYCMT5015	NSYCMT8015	NSYCMT5015	NSYCMT8015
	2	NSYCMT5020	NSYCMT8020	NSYCMT5020	NSYCMT8020	NSYCMT5020	NSYCMT8020
Fixing on support (steel material)							
	① Fixed base	-	-	NSYCMUMR50	NSYCMUMR80	-	-
	② Wall fixing with joint	-	-	-	-	NSYCMUMA50	NSYCMUMA80
	③ Rotating straight fitting	NSYCMUMC50	NSYCMUMC80	-	-	-	-
Inter-tube fitting (aluminium material)							
	④ Horizontal inter-tube joint	-	-	NSYCMUIA50	NSYCMUIA80	-	-
	⑤ Fixed bracket	NSYCMUTC50	NSYCMUTC80	-	-	NSYCMUTC50	NSYCMUTC80
Fixing on enclosure (aluminium material)							
	⑥ Rotating fixing on enclosure	NSYCMUCR50	NSYCMUCR80	-	-	NSYCMUCR50	NSYCMUCR80
	⑦ Rotating fixing in bracket on enclosure	-	-	NSYCMUCC50	NSYCMUCC80	-	-
	⑧ Tilting fixing on enclosure	-	-	-	-	-	-

Control enclosure

Introduction

2



PB500420



PB500300

Technical characteristics:

- RAL 7035 grey, structured finish, epoxy-polyester powder.
- Protection degree: IP 54.
- Resistance to external mechanical impacts: IK 10.
- Dimensions and weights, see page 2/73.

The control enclosures consist of:

- **A steel body equipped with:**
 - Reinforcement plate: the top wall is reinforced by a plate (3 mm) and pierced with a hole \varnothing 54 or 87 mm (according to the reference) to allow hanging installation of the enclosure.
 - 4 welded studs on the 2 inner vertical walls, for fixing the rails.
 - 2 rails (with drill holes) for installing equipment.
 - A rear door, opening to 120° and closing with double-bar lock.
- **An aluminium front face (2.5 mm thick):**
 - This surface is protected on both sides by a plastic film, allowing the installation of the dialogue elements.
 - A trim frame made from 4 extruded-aluminium rails: the frame and the front face are delivered assembled. Structured finish, epoxy-polyester powder, RAL 7040 grey colour (other colours on demand).
- The design of these rails takes into account the accessory mounting functions (lamp, document support, keyboard support, laptop support, etc.), the ergonomics for handling the enclosure and its overall aesthetics.



PB500431

Perforated rails installed on lateral studs:



PB500432

Rear door with double-bar lock.



PB500433

Frame ergonomics.



PB500434

Fixing of the trim frame by screws.



PB500417

Detail of the reinforcement plate.



PB500418

Installation example.

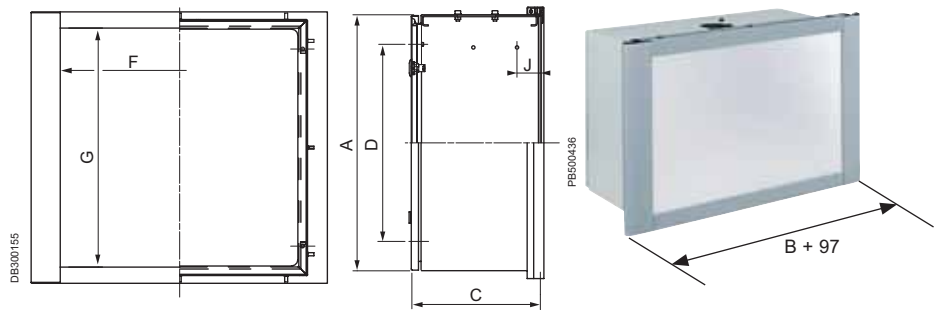


External dimensions (mm)			D	F	G	H	J	K	L	PPC (1)	kg	Tube section (mm)	Enclosure
Height A	Width B	Depth C											References
300	300	200	162	260	260	100	45	58	7	-	8.6	50	NSYS3CM303020
300	400	200	162	260	360	100	45	58	7	-	9.5	50	NSYS3CM304020
400	400	200	262	360	360	100	45	58	7	-	11.4	50	NSYS3CM404020
400	600	250	262	360	560	125	75	58	7	•	17.9	50	NSYS3CM406025*
500	500	250	362	460	460	125	75	58	7	-	20.2	50	NSYS3CM505025
600	600	200	462	560	560	100	45	58	7	•	26.5	50	NSYS3CM606020*
600	800	300	462	560	760	150	100	87	9	-	34.9	80	NSYS3CM608030
800	600	300	662	760	560	150	100	87	9	•	33.6	80	NSYS3CM806030*

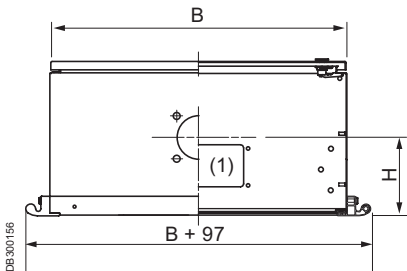
* Enclosure equipped with a cable-gland plate (see diagram below).

A: Height
B: Width
C: Depth

Control enclosure

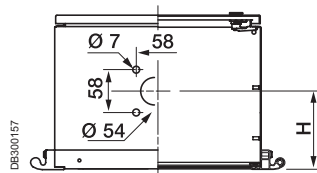


W600 enclosure + keyboard installation

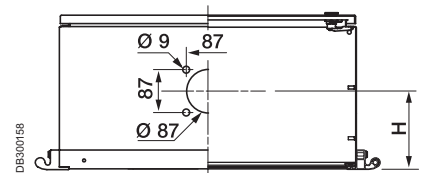


(1) PPC: cable-gland plate.

Enclosure D200 to D250



D300 enclosure



Box-keyboard for control enclosure

Introduction



PB500437

2



Specific

The box is installed on the control enclosures with a width of 600 mm. It then has an angle of 120° with its front face. All the accessories required for installation are delivered with 2 brackets and 1 trim rail, 1 hose for cable entry.

Technical features:

- Protection degree: IP 54.
- Resistance to external mechanical impacts: IK 10.
- Weight: 8 kg.

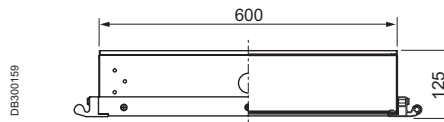
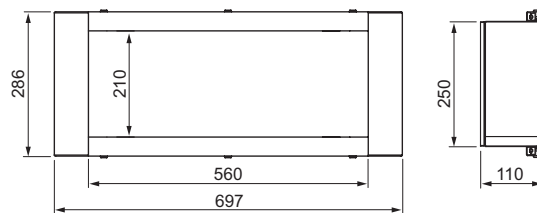
The box for the keyboard consists of:

- A steel body, structured finish, epoxy-polyester powder, RAL 7035 grey colour, with a screwed cover.
- An aluminium front face (2.5 mm thick) for installing a keyboard.
- A trim frame made from 2 extruded-aluminium rails guaranteeing ergonomic handling of the box and the aesthetics of the unit.

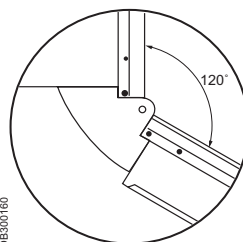
The frame and the front face are delivered assembled. Structured finish, epoxy-polyester powder, RAL 7040 grey colour.

These enclosures can be customised (colour, machining, etc.). Please contact us.

External dimensions (mm)			Box-keyboard
Height	Width	Depth	Reference
250	600	110	NSYCMT2560110



DB300159



DB300160

Detail from the installation of the box-keyboard on the control enclosure



PB500438



Example
Enclosure equipped with the box-keyboard.



PB500439

Support example.

Support

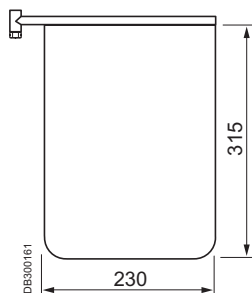
- Three different types of support are available:
 - Vertical support for documents, size 315 × 230 mm, sheet steel 1.2 mm thick.
 - Horizontal support for keyboard, size 500 × 200 mm, sheet steel 2 mm thick.
 - Horizontal support for laptop computer, size 350 × 310 mm, sheet steel 2 mm thick.
- Installation on the left or right rail of the frame of the control enclosure.
- Structured finish, epoxy-polyester powder, RAL 7035 grey colour.

Weight (kg)	Type of support	References
1.15	Vertical	NSYCMSPP
2.16	Keyboard	NSYCMBPT
2.04	Laptop computer	NSYCMBPC



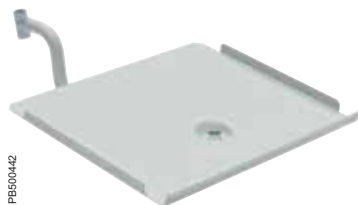
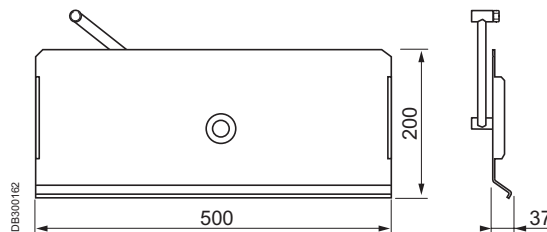
PB500440

NSYCMSPP



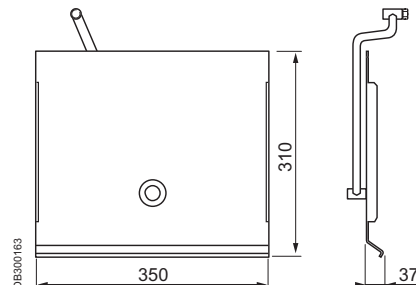
PB500441

NSYCMBPT



PB500442

NSYCMBPC



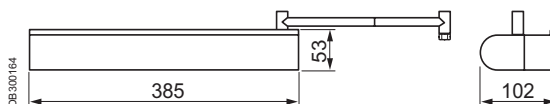
PB500443

NSYCMLAG lighting.

Lighting

- A lighting device adapts directly to the left or right rail of the frame of the control enclosure.
- Low-power lighting source, E27 socket, 11 W, 220-240 V / 50-60 Hz.
- Protection degree: IP 20.
- Insulation class II.
- According to standards IEC 55014 and IEC 61000-6-2.
- Weight: 1.5 kg.

Name	Reference
Lighting	NSYCMLAG



Composition

Fixing on support

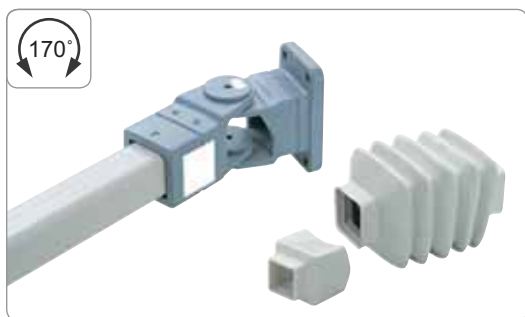
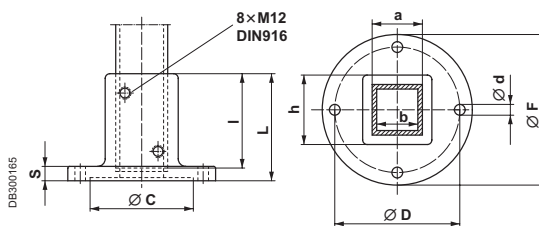


PB500423

1 Fixed base

- Support foot for direct horizontal or vertical connection.
- Material: moulded steel, structured finish, powder, RAL 7040 grey colour.

Dimensions (mm)										Weight (kg)	References
□ a	b	c	d	D	F	h	I	L	S		
50 mm square	42	105	11	125	152	72	97	110	15	3.25	NSYCMUMR50
80 mm square	72	134	11	173	201	111	126	140	16	7	NSYCMUMR80

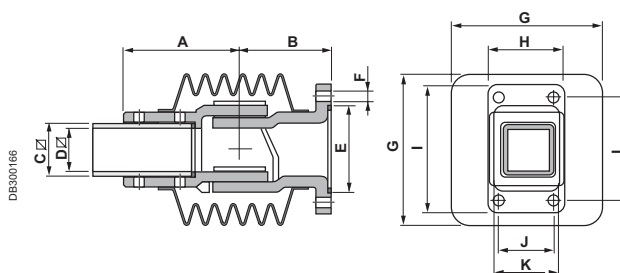


PB500424

2 Wall fixing with joint

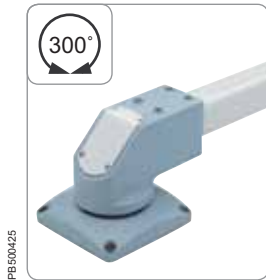
- Device allowing rotation through 170° of a horizontal tube, with a square section of 50 or 80 mm, and its fixing on a vertical surface.
- Protection by bellows, RAL 7035 grey colour.
- Possibility of passing cables through the inside of the joint.
- Material: moulded steel, structured finish, powder, RAL 7040 grey colour.

Dimensions (mm)											Weight (kg)	References	
□ C for tube	A	B	D	E	F	G	H	I	J	K			L
50 mm square	118	92	42	85	11	148	80	130	55	68	105	4.35	NSYCMUMA50
80 mm square	160	115	72	130	11	190	115	175	90	103	150	9.45	NSYCMUMA80



Composition

Fixing on support

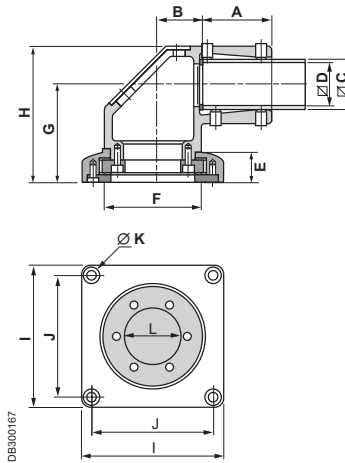


PB500425

3 Rotating straight fitting

- Device allowing the fixing and rotation through 295° of tubes, with a square section of 50 or 80 mm, in horizontal position.
- Without blocking the chosen position.
- Option of passing cables through the inside.
- Material: moulded steel, structured finish, epoxy-polyester powder, RAL 7040 grey colour.
- Fixing by 4 screws, not included.

∇ C	Dimensions (mm)											Weight (kg)	References
	A	B	D	E	F	G	H	I	J	K	L		
50 mm square	68	50	42	30	96	96	134	140	120	9	55	5.4	NSYCMUMC50
80 mm square	98	74	72	45	144	141.5	195.5	210	180	13	84	15.7	NSYCMUMC80



DE300167



PB500444



Example
Installation with tilting fixing on the enclosure and fixed base.

Composition

Inter-tube fitting

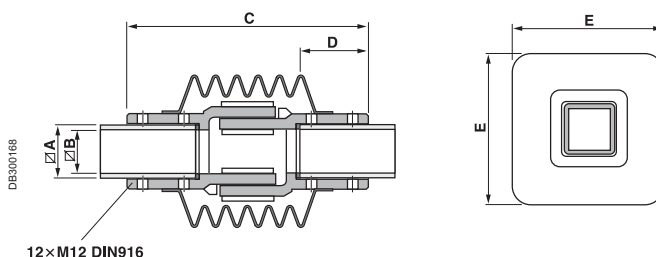
2



4 Horizontal inter-tube joint

- Device allowing the linking and rotation through 170° of 2 horizontal tubes, with a square section of 50 or 80 mm.
- Protection by bellows, RAL 7035 grey colour.
- Possibility of passing cables through the inside of the joint.
- Material: moulded steel, structured finish, powder, RAL 7040 grey colour.

Dimensions (mm)					Weight (kg)	References
∅ A for tube	B	C	D	E		
50 mm square	42	236	67	148	4.25	NSYCMUIA50
80 mm square	72	320	94	190	10	NSYCMUIA80

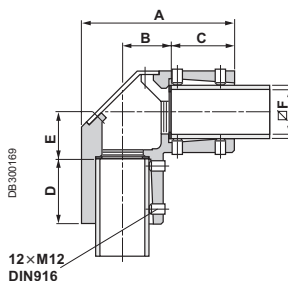


5 Fixed bracket

Our system of tubes and joints, fixed or rotating, enables all the solutions to respond to the installation needs of the control enclosures for human-machine dialogue. Every model is suitable for tubes with a square section of 50 mm for light loads, or of 80 mm for heavy loads (see selection table on page 2/70).

- Device allowing the combination and fixing of a horizontal tube with a vertical tube.
- Two models for tubes with a square section of 50 or 80 mm.
- Option of passing cables through the inside.
- Material: aluminium, structured finish, powder, RAL 7040 grey colour.

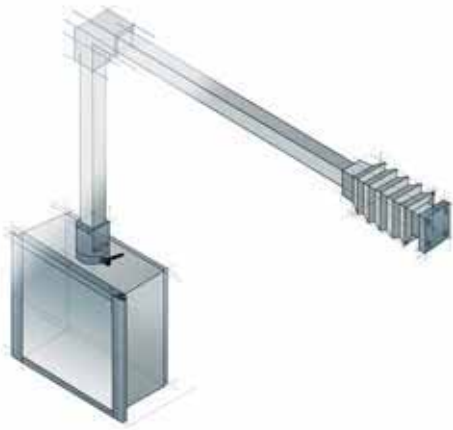
Dimensions (mm)							Weight (kg)	Fixed bracket
∅ G	A	B	C	D	E	F		References
50 mm square	144	46	60	60	46	42	1.35	NSYCMUTC50
80 mm square	193	56	83	83	56	70	2.4	NSYCMUTC80



Composition

Inter-tube fitting

PB500445



Example
Installation on enclosure with rotating straight fixing, fixed fitting bracket and support fixing with joint.

2

PB500446



Installation example
Installation with rotating straight fixing on enclosure, inter-tube joint and rotating straight fitting.

Composition

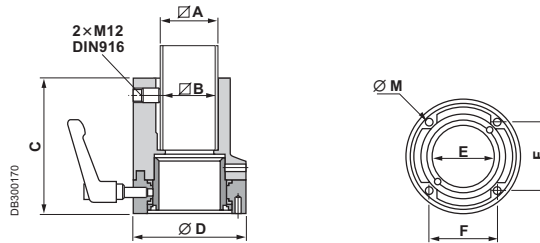
Fixing on enclosure



6 Rotating fixing on enclosure

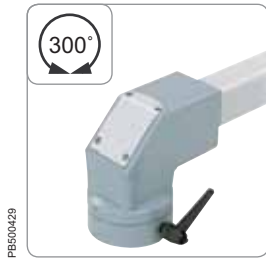
- Device allowing the fixing and rotation through 310° of tubes, with a square section of 50 or 80 mm, in vertical position.
- System for blocking in the chosen position.
- Option of passing cables through the inside.
- Material: aluminium, structured finish, powder, RAL 7040 grey colour.
- Fixing through the support surface by 4 screws.

Dimensions (mm)							Weight (kg)	References
∅ A	B	C	D	E	F	M		
50 mm square	42	115	96	52,3	58	M6	1.25	NSYCMUCR50
80 mm square	72	145	139	85	87	M8	3.1	NSYCMUCR80



Composition

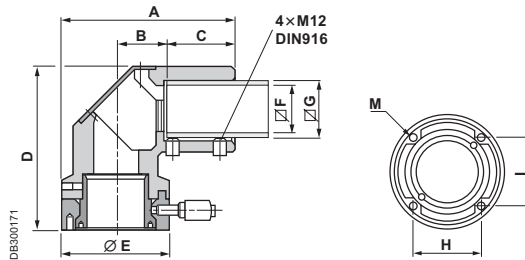
Fixing on enclosure



7 Rotating fixing in bracket on enclosure

- Devices allowing the fixing and rotation through 310° of tubes, with a square section of 50 or 80 mm, in horizontal position.
- System for blocking in the chosen position.
- Option of passing cables through the inside.
- Material: aluminium, structured finish, powder, RAL 7040 grey colour.
- Fixing through the support surface by 4 screws.

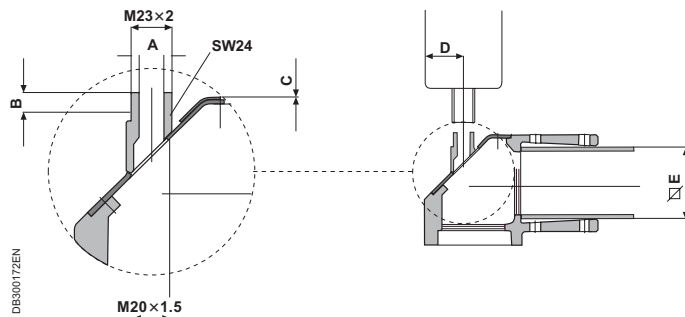
∅ G	Dimensions (mm)									Weight (kg)	References
	A	B	C	D	E	F	H	I	M		
50 mm square	154	46	60	147	96	42	42	58	M6	2	NSYCMUCC50
80 mm square	208.5	56	83	190	139	72	70	87	M8	6.55	NSYCMUCC80



Adapter for signalling beacon

- This adapter allows the direct installation of a beacon for signalling the state of the machine.
- It is installed on fixed brackets ref. NSYCMUTC50 and NSYCMUTC80.
- Option of passing cables through the inside.
- Material: aluminium, structured finish, powder, RAL 7040 grey colour.

∅ E	Dimensions (mm)				Weight (kg)	References
	A	B	C	D		
50 mm square	14	11	8.7	31.5	0.025	NSYCMACS50
80 mm square	14	11	2.5	43	0.08	NSYCMACS80



Composition

Fixing on enclosure

2

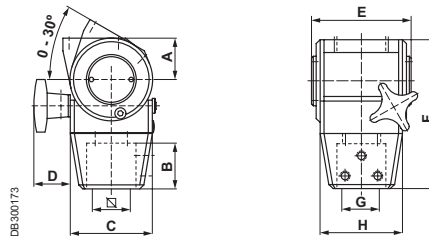


PB500430

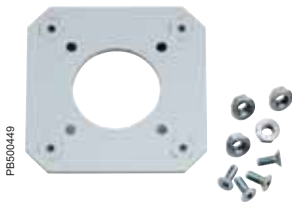
8 Tilting fixing on enclosure

- This fixing allows the enclosures to be tilted up to 30°.
- System for blocking in the chosen position.
- It is installed on enclosures with depths of 200 and 250 mm.
- The installation on enclosures with a depth of 300 mm requires an adapter plate.

∅ for tube	Dimensions (mm)								Weight (kg)	References \ 50 mm
	A	B	C	D	E	F	G	H		
50 mm square	50	55	100	44	121	182	50	100	2.98	NSYCMUCP50
80 mm square	50	55	100	44	121	182	50	100	3.10	NSYCMUCP80



D9-300173



PB500449

Adapter part for enclosure D300 / Ø 80 mm

Reference
NSYCMUCPAD87

Composition

Length elements

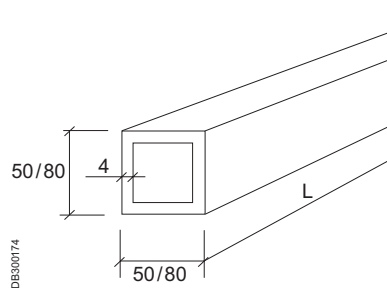


PE600422

Tube

- The tubes are available in:
 - 2 sizes: square of 50 and 80 mm,
 - 4 lengths: 0.5, 1, 1.5 and 2 m.
- Material: extruded steel, 4 mm thick, structured finish, powder, RAL 7035 grey colour.
- Weights:
 - 50 × 80: 6.5 kg / m.
 - 80 × 80: 10.5 kg / m.

Joints		
References		
Length (m)	50 mm square	80 mm square
0.5	NSYCMT5005	NSYCMT8005
1	NSYCMT5010	NSYCMT8010
1.5	NSYCMT5015	NSYCMT8015
2	NSYCMT5020	NSYCMT8020

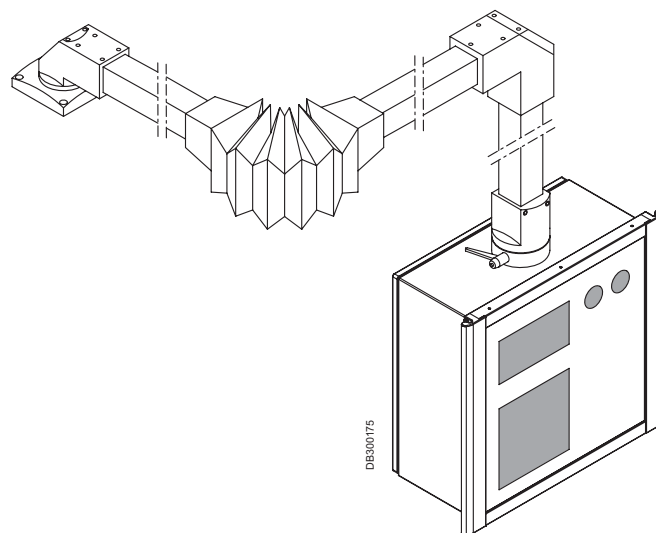


DB300174



Specific

Cut-outs on front face: contact us.



DB300175