

Product Datasheet

Joystick



Standard specifications

Mechanical Performances

Controlling range of operating lever:

X、Y axes: Approx. $\pm 20^\circ$ from the centre position

Operating force (standard spring return device):

Vibration: 10~55Hz 98m/S²

Shock: 294m/S²

Degrees of Protection: IP65 (above mounting panel)

Life expectancy: Approx. 500,000 operations

Mass: Approx. 140g

Electrical Performances

Insulation resistance: Over 1000M Ω at 500V.D.C.

Dielectric strength: 1 minute at 1000V.A.C.

Rating of push-button switch: 48VDC/0.1A

Electrial life: Min. 100,000 operations

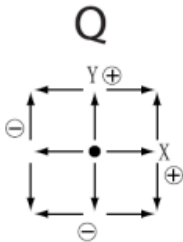
Rating of micro-switches: 250VAC/21(8)A

Electrial life: Min. 10,000 operations

RS 6 - Y Q - 0 5 R2 G - R M
 1 2 3 4 5 6 7 8 9 10

825-2593 (RS6-YQ-04R2G)
 825-2603 (RS6-YQ-05R2G-RM)

1. RS joystick switch
2. 6 means approx size of base housing in cm
3. Y means 2-axes coordinate
4. Q means lever operation as below:



5. Number of potentiometers
 0.....no potentiometers

6. Number of switches
 4.....4 micro-switches mounted
 5.....with 4 micro-switches & 1 handle push button switch

7. With spring return device

R2: means with spring return for 2 axes.

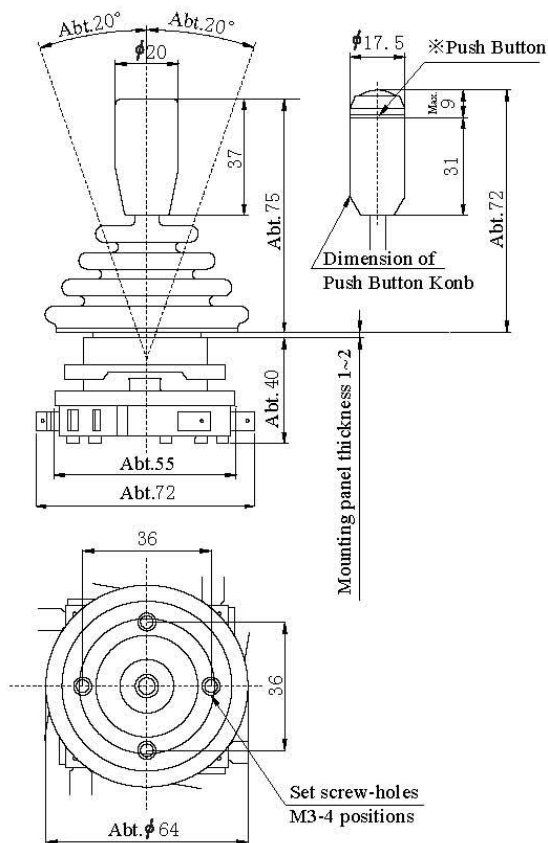
8. G means with dust proof rubber cover
9. Button colour of push-button switch for handle

R: Red

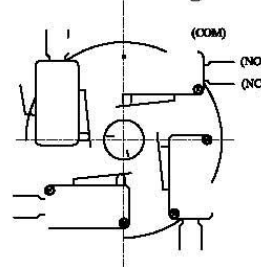
10. Available switch function for push-button knob

M: Momentary

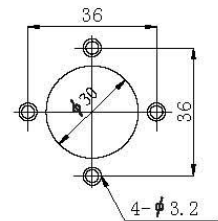
Standard Dimension



Switches Arrangements



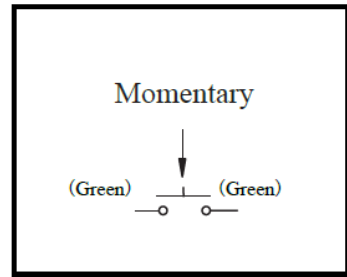
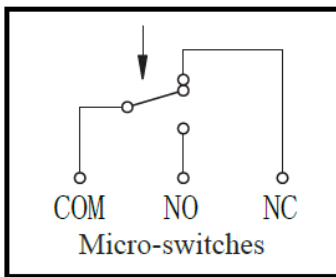
Panel Arrangements





825-2593
(RS6-YQ-04R2G)
 (Standard)

● Terminal Connection Diagram



825-2603
(RS6-YQ-05R2G-RM)
 (with push-button knob)