



EN

Datasheet

RS PRO NYLON-INSULATED CORD END TERMINALS

Stock number: 178-7282

MAXIMUM ELECTRIC CURRENT:

| | |
|--------|-----|
| A.W.G. | 26 |
| AMP. | 5.5 |

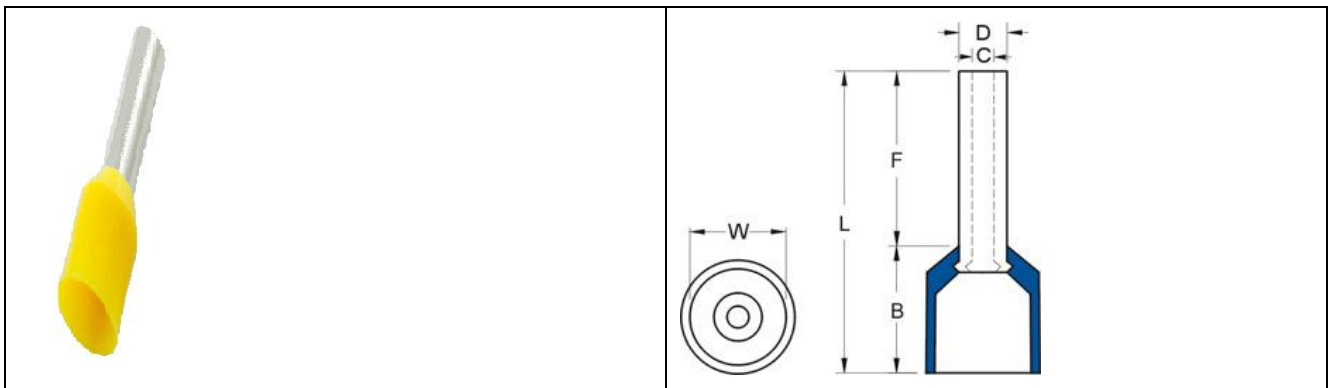
MAXIMUM ELECTRICAL RATING: 105° C 600 VOLTS MAX.

INSULATION MATERIAL: NYLON

TERMINAL MATERIAL: COPPER TUBE

SURFACE TREATMENT: TIN PLATE

INSULATION COLOR: YELLOW



| WIRE RANGE A.W.G. mm ² | ITEM NO. | DIMENSION inch(mm) | | | | | |
|---|----------|--------------------|-------|-------|-------|-------|-------|
| | | F | L | W | B | D | C |
| 26 A.W.G. | 178-7282 | 0.236 | 0.409 | 0.075 | 0.173 | 0.043 | 0.031 |
| 0.25 mm ² | | 6 | 10.4 | 1.9 | 4.4 | 1.100 | 0.8 |