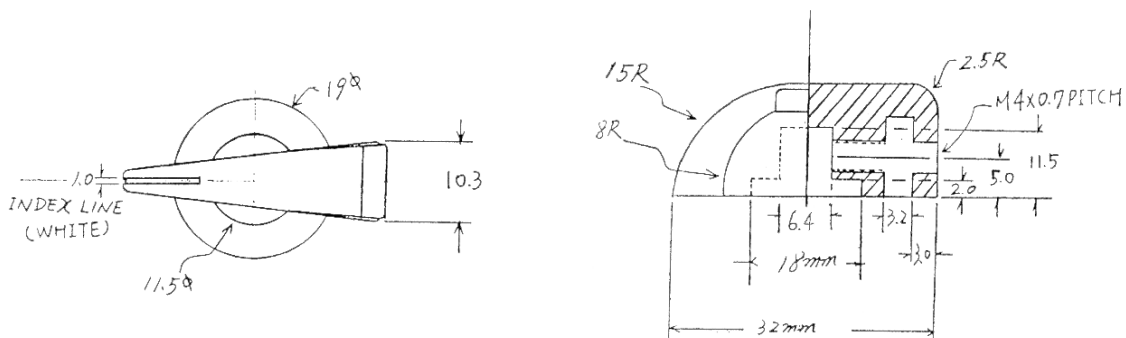




Specifications:

Knob / Dial Style	: Pointer with Indicator Line
Shaft Diameter	: 6.4mm
Shaft Type	: Round
Knob Material	: Plastic
External Depth	: 13.5mm
External Length / Height	: 31.5mm
Knob / Dial - Diameter Metric	: 19mm
Knob / Dial Height - Metric	: 32mm



Dimensions : Millimetres

Part Number Table

Description	Colour	Part Number
Knob Pointer, 6.4mm Shaft	Black	CF-P1-6-S (6.4) E
Knob, Red, 6.4mm Shaft	Red	CF-P1-1-S(6.4)E
Knob, Yellow, 6.4mm Shaft	Yellow	CF-P1-2-S(6.4)E
Knob, Blue, 6.4mm Shaft	Blue	CF-P1-3-S(6.4)E
Knob, Green, 6.4mm Shaft	Green	CF-P1-4-S(6.4)E
Knob, White, 6.4mm Shaft	White	CF-P1-7-S(6.4)E
Knob, Purple, 6.4mm Shaft	Purple	CF-P1-8-S(6.4)E
Knob, Ivory, 6.4mm Shaft	Ivory	CF-P1-01-S(6.4)E
Knob, Almond, 6.4mm Shaft	Almond	CF-P1-91-S(6.4)E

Important Notice : This data sheet and its contents (the "Information") belong to the members of the Premier Farnell group of companies (the "Group") or are licensed to it. No licence is granted for the use of it other than for information purposes in connection with the products to which it relates. No licence of any intellectual property rights is granted. The Information is subject to change without notice and replaces all data sheets previously supplied. The Information supplied is believed to be accurate but the Group assumes no responsibility for its accuracy or completeness, any error in or omission from it or for any use made of it. Users of this data sheet should check for themselves the Information and the suitability of the products for their purpose and not make any assumptions based on information included or omitted. Liability for loss or damage resulting from any reliance on the Information or use of it (including liability resulting from negligence or where the Group was aware of the possibility of such loss or damage arising) is excluded. This will not operate to limit or restrict the Group's liability for death or personal injury resulting from its negligence. Multicomp is the registered trademark of the Group. © Premier Farnell plc 2012.