

Features

- Stainless steel - superior corrosion resistance
- Suited to higher pressure and temperature applications
- Investment casting
- Blow-out proof stem – protects the operator
- Anti-static device (option)

RS PRO Stainless Steel High Pressure Ball Valve 3/4 in BSPP 2 Way

RS Stock No.: 499-2802



RS PRO Professionally Approved Products bring to you professional quality parts across all product categories. Our product range has been tested by engineers and provides a comparable quality to the leading brands without paying a premium price.

Product Description

Introducing the RS PRO general purpose manual ball valve designed for industrial applications. Manual ball valves are used to operate shut off valves which control water flow and pressure.

Available in a variety of sizes:

- 499-2789 – ¼ inch BSPP F-F
- 499-2795 – ½ inch BSPP F-F
- 499-2802 – ¾ inch BSPP F-F
- 499-2818 – 1 inch BSPP F-F
- 499-2824 – 1-1/4 inch BSPP F-F
- 499-2830 – 1-1/2 inch BSPP F-F
- 499-2846 – 2 inch BSPP F-F

General Specifications

Threaded Connection	3/4 in BSPP
Attachment Type	Threaded
Body Material	ASTM A351-CF8M
Thread Size	3/4in
Safe For Use With	Gas, Oil, Water
Ball Material	ASTM A351-CF8M
Thread Standard	BSPP
Handle Material	Stainless Steel
Type	2 Way
Application	Heating systems; Water treatment; Liquid flow control

Mechanical Specifications

Connection Size	19.6mm
Torque	1.8Nm
Weight	0.3kg

Operation Environment Specifications

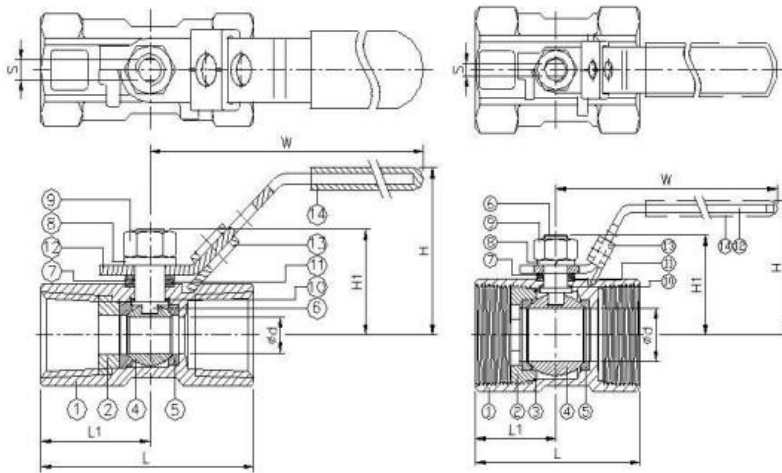
Working Temperature	-20°C to 200°C
Maximum Working Pressure	68 bar

Approvals

Compliance/Certifications	ISO-5211
---------------------------	----------







ITEM	PARTS	MATERIAL
1	BODY	ASTM A351-CF8M
2	RETAINER	ASTM A351-CF8M
3	BODY SEAL	PTFE
4	BALL	ASTM A351-CF8M
5	BALL SEAT	PTFE / RTFE
6	STEM	ASTM A276-316
7	FLAT WASHER	AISI 304
8	SPRING WASHER	AISI 304
9	STEM NUT	AISI 304
10	THRUST WASHER	PTFE
11	PACKING	PTFE
12	HANDLE	STAINLESS STEEL
13	LATCH LOCK	STAINLESS STEEL
14	HANDLE SLEEVE	PVC

DN	d	L	L1	H	H1	W	S	Torque (N-m)	Weight (kg)
20	12.5	59	29	44.1	28.8	94.7	5	1.8	0.3