

Features

- Illuminated DPST switch
- Voltage rating of 250Vac
- Panel Mount, Snap in fittings
- Copper contacts
- Tin Plated
- Nylon construction
- Current rating of 6A

RS PRO C14 Snap-In IEC Connector

RS Stock No.: 811-7210



RS PRO Professionally Approved Products bring to you professional quality parts across all product categories. Our product range has been tested by engineers and provides a comparable quality to the leading brands without paying a premium price.

Product Description

An illuminated fused panel mount IEC C14 mains inlet connector complete with built in DPST (Double Pole Single Throw) switch. The C14 socket is designed for panel mounting and is complete with snap in fittings for fast and simple installation. Constructed from Nylon for a durable impact resistant body keeping the socket safe from accidental impact and the Copper Alloy contacts provide excellent conductivity and a secure connection while the Tin Plating protects the contacts from damage caused by repeated disconnections.

General Specifications

Material - Body	Nylon
Material - Terminals	CopperAlloy, Tin plating
Terminals	Solder-type / Fast on 4.8X 0.8
Mounting	Panel, Snap-in type
Further details	IEC Inlet with fuse holder & illuminated DPST Switch

Electrical Specifications

Current & voltage rating:	6Amp, 250VAC
MOQ:	100 nos.

Operation Environment Specifications

Permissible temperature - For soldering:	270°C for 5 seconds max.
Permissible temperature - With/without load:	0 to 70°C
HV Breakdown test for 1 Minute:	2 KVAC
Insulation Resistance at 500 VDC:	1000 Mohms min.
Contact Resistance (Initial):	10 mohms max.

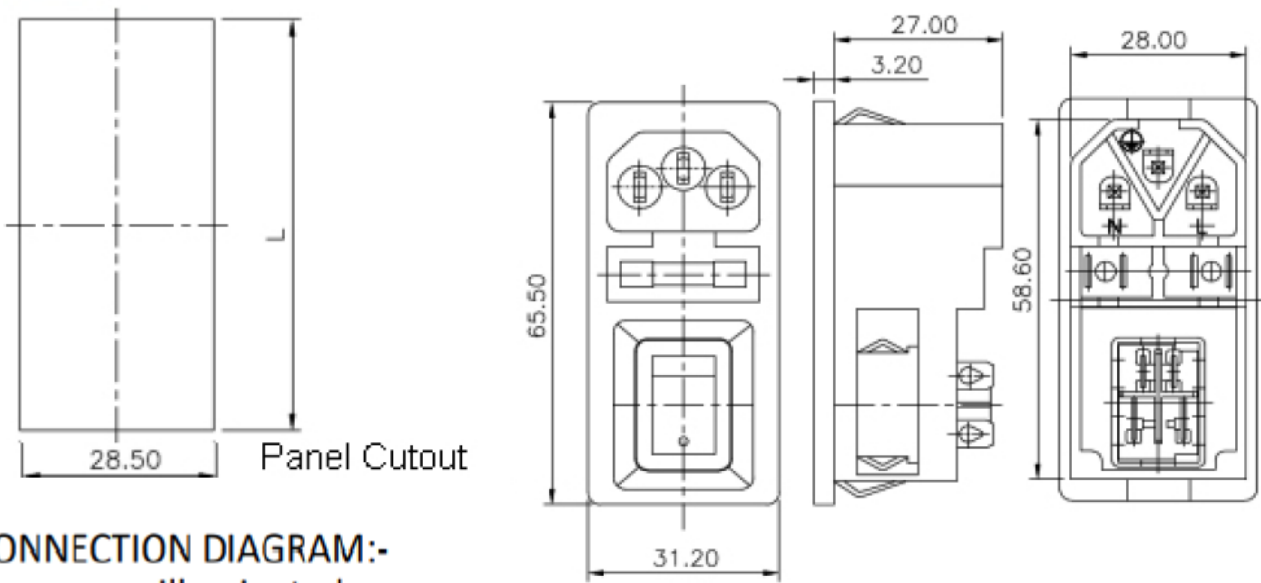
Mechanical Specifications

Panel thickness	0.8 to 2.5 mm
Solder faston contacts	4.8 x 4.8mm

Approvals

Standard	IEC 60320-1
Certification/ Compliance	Self-Certified,

EMI 12



CONNECTION DIAGRAM:- illuminated

