

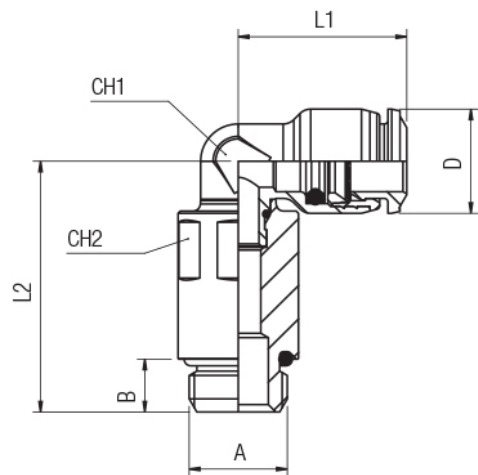


ENGLISH

Datasheet

Stock No. 1875700,1875701,1875702,1875703,  
1875704,1875705

## RS PRO EXTENDED ORIENTING ELBOW MALE ADAPTOR (PARALLEL)



Code	Tube	A	B	L1	L2	CH1	CH2	D	Bag
1875700	4	M5	3,6	16,5	27,5	7	8	10	10
1875702	4	1/8	5,4	16,5	28,5	7	12	10	10
1875701	6	M5	3,6	20,5	29,5	9	8	12,5	10
1875704	6	1/8	5,4	20,5	29,5	9	12	12,5	10
	8	1/8	5,4	22,5	34,5	10	12	14	10
1875703	8	1/4	7,1	22,5	33,5	10	15	14	10
	8	3/8	8,1	22,5	34,5	10	12	14	10
1875705	10	1/4	7,1	26,5	43	13	15	17	10
	10	3/8	8,1	26,5	43	13	15	17	10
	10	1/2	9,6	26,5	45	13	15	17	10
	12	1/4	7,1	31	45	16	15	20	10
	12	3/8	8,1	30,5	44,5	16	15	20	10
	12	1/2	9,6	31	46	16	15	20	10

The serie came up to answer the most extreme demands of pneumatic automation. It is a line in technopolymer, lighter and more compact which offers to demanding customers high performances.

Wide Range  $\varnothing$  2 - 14 mm.

#### Main advantages

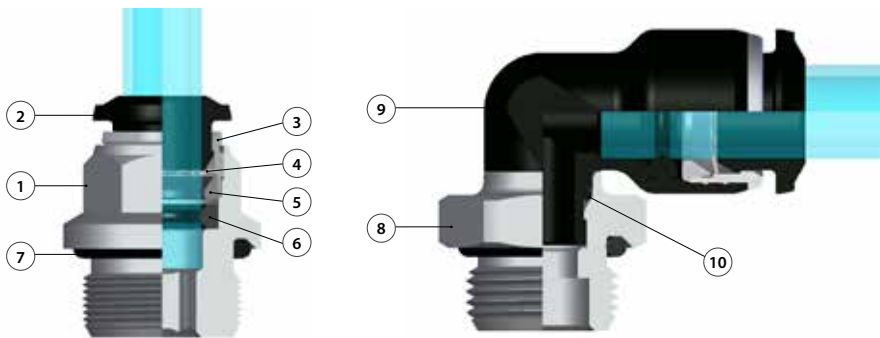
- Quick connection and disconnection
- Full Flow and Vacuum resistant tank to special shaped seals
- 3 threads available, BSPP, BSPT (universal short) & Metric
- Lighter and More compact
- Specific configurations to satisfy the advanced robotics
- Silicon Free

#### Applications

- Robotics
- Automotive
- Textile, Packaging, Handling
- Compressed Air Circuit
- Industrial Water
- Vacuum



### Technical Characteristics



#### Component Parts and Materials

- 1 Nickel-plated brass Body
- 2 Acetalic resin Collet
- 3 Nickel-plated brass Capsule
- 4 Steel AISI 301 Clamping washer
- 5 Technopolymeric positioning ring
- 6 NBR Molded seal
- 7 NBR Thread packing
- 8 Base Threaded Nickel Plated Brass
- 9 Technopolymeric Body PA
- 10 NBR seal



#### Reference standard



#### Pressures

- 0.99 bar (-0.099 MPa)  
20 bar (2.0 MPa)



#### Temperatures

- 20 °C  
+ 80 °C



#### Fluids

Compressed air / Vacuum / Water



#### Connection Tubes

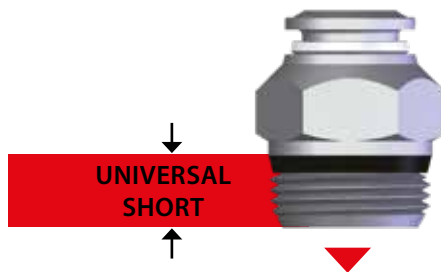
Plastic tubes:

PA6, PA11, PA12, Polyethylene, \*Polyurethane, PTFE, FEP.

\*For Polyurethane hoses it is required a minimum hardness of 98 shore.

## Threads

"UNIVERSAL SHORT" Tapered thread.  
Tapered gas in conformity with ISO 7.1, BS 21, DIN 2999.  
Parallel gas in conformity with ISO 228 Class A.  
Metric in conformity with ISO R/262.



### "UNIVERSAL SHORT"

The "UNIVERSAL SHORT" taper thread has been designed to offer the following advantages to the users:

- reduced overall length;
- smaller hex dimensions compared to the parallel threads;
- to allow the assembly with different female threads both taper as well as parallel.



*Inclined*



*Concave*



*Convex*

To ensure the right tightening also with surfaces not perfectly flat, without spot-facing, concave convex and with different kinds of chamfers or radius.



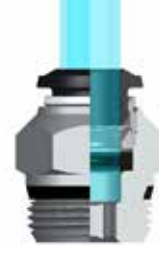
## Torque specifications



ISO 228

MEASURE	RECOMMENDED TORQUE Nm	BREAKING TORQUE Nm
M5	0,8	3,2
1/8	3	8
1/4	9	30
3/8	10	60
1/2	12	50

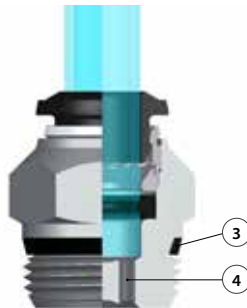
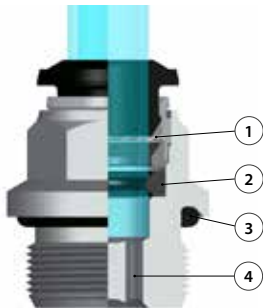
Breaking values may vary according to the item



"UNIVERSAL SHORT"

MEASURE	RECOMMENDED MINIMUM TORQUE Nm	RECOMMENDED MAX TORQUE Nm
1/8	5	7
1/4	5	7
3/8	5	7
1/2	5	7

Breaking values may vary according to the item



### Advantages

- 1 The washer is made in stainless steel ensures the perfect tube clamping with every kinds of materials without damage the surface.  
The connection between the tube and the fitting ensure a total tightness even in severe conditions such as impact and vibrations.
- 2 The particular geometric shape of the seal ensure the perfect tightness even with vacuum.
- 3 All of threads from this range have been equipped with tightening parts which allow the direct assembly of the fittings, reducing the installation time.
- 4 All the straight fittings can be assembled also with Allen wrench and it is possible to use them in reduced spaces.