

Pozi Countersunk Head Machine Screws

multicomp PRO

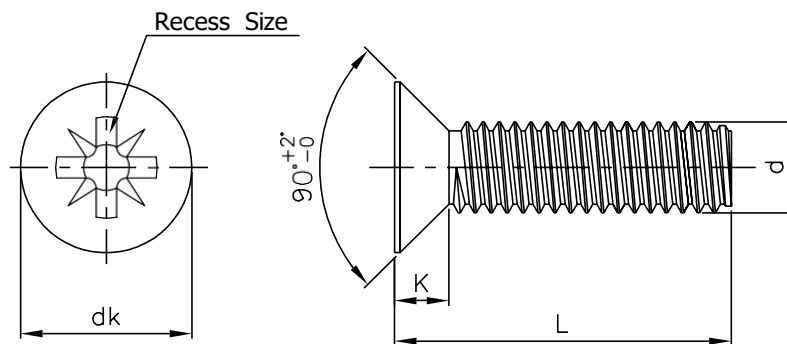
Description

ISO 7046 Pozi Countersunk Head Machine Screws Stainless Steel.

**RoHS
Compliant**



Diagram



Dimensions : Millimetres

Notes

1. Parts Shall Be Free of all Sharp Edges, Corners and Burrs.
2. Material: Stainless Steel SUS304.
3. Heat Treatment: None.
4. Finish: Self-finish.
5. Material and Finish To Comply With European Union Restriction of Hazardous Substances Directive.

Part Number	Thread d	dk	K Max.	Recess Size	L	Weight (g)
MP006510	M3X0.5	5.5 ⁺⁰ -0.3	1.65	Pozi#1	6±0.24	0.38
MP006511					12±0.35	0.65
MP006512					20±0.42	1
MP006513	M4X0.7	8.4 ⁺⁰ -0.36	2.7	Pozi#2	12±0.35	1.39
MP006514					16±0.42	1.86
MP006515					20±0.42	2.25

Important Notice : This data sheet and its contents (the "Information") belong to the members of the AVNET group of companies (the "Group") or are licensed to it. No licence is granted for the use of it other than for information purposes in connection with the products to which it relates. No licence of any intellectual property rights is granted. The Information is subject to change without notice and replaces all data sheets previously supplied. The Information supplied is believed to be accurate but the Group assumes no responsibility for its accuracy or completeness, any error in or omission from it or for any use made of it. Users of this data sheet should check for themselves the Information and the suitability of the products for their purpose and not make any assumptions based on information included or omitted. Liability for loss or damage resulting from any reliance on the Information or use of it (including liability resulting from negligence or where the Group was aware of the possibility of such loss or damage arising) is excluded. This will not operate to limit or restrict the Group's liability for death or personal injury resulting from its negligence. Multicomp Pro is the registered trademark of Premier Farnell Limited 2019.

Newark.com/multicomp-pro
Farnell.com/multicomp-pro
Element14.com/multicomp-pro

multicomp PRO