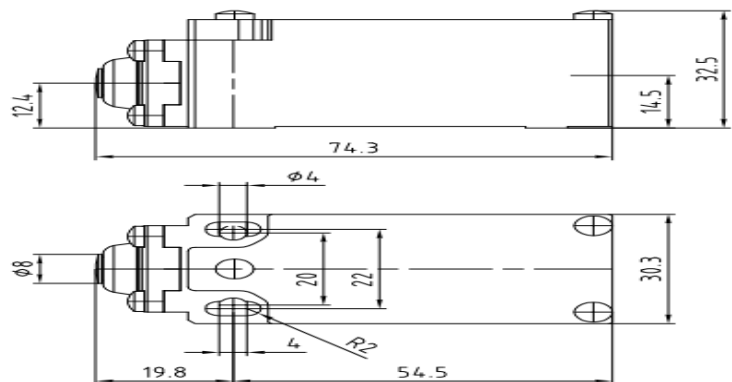
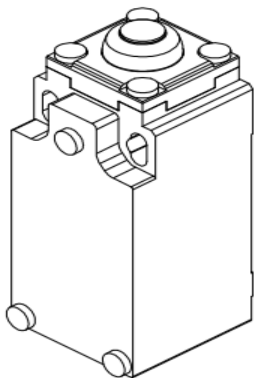


Datasheet

Limit Switch

ENGLISH

RS Stock number 902-6922



Description:

Double insulation, Plastic casing IP65, 30mm width
 1 cable inlet for M20x1.5 cable gland
 Metal plunger with dust protection cup
Z11: Snap action contacts (1NO+1NC)

Specification:

| Standards | | Metal Casing | | | | | | | | | |
|--|------------------|--|--|----|----------|---|--------------------------|----|---------------------------|----|-----------------------------|
| Certifications - Approvals | | Devices conform with international IEC 947-5-1 and European EN 60 947-5-1 standards | | | | | | | | | |
| Air temperature near the device | | UL - CSA - IMQ | | | | | | | | | |
| - during operation | °C | - 25 ... + 70 | | | | | | | | | |
| - for storage | °C | - 30 ... + 80 | | | | | | | | | |
| Protection against electrical shocks (according to IEC 536) | | Class I | | | | | | | | | |
| Degree of protection (according to IEC 529 and EN 60 529) | | IP 66** | | | | | | | | | |
| Rated insulation voltage U_i | | 500 V (degree of pollution 3) (400 V for contacts type X12P, X21P, W03P) A 300, Q 300 | | | | | | | | | |
| Rated impulse withstand voltage U_{imp} (according to IEC 947-1 and EN 60 947-1) | | 6 | | | | | | | | | |
| Conventional free air thermal current I_{th} (according to IEC 947-5-1 and EN 60 947-5-1) $\theta < 40$ °C | | 10 | | | | | | | | | |
| Short-circuit protection | | 10 | | | | | | | | | |
| $U_e < 500$ V a.c. - gG (gl) type fuses | | 10 | | | | | | | | | |
| Rated operational current | | | | | | | | | | | |
| I_e / AC-15 (according to IEC 947-5-1) | 24 V - 50/60 Hz | A | 10 | | | | | | | | |
| | 120 V - 50/60 Hz | A | 6 | | | | | | | | |
| | 230 V - 50/60 Hz | A | 3.1 | | | | | | | | |
| | 240 V - 50/60 Hz | A | 3 | | | | | | | | |
| | 400 V - 50/60 Hz | A | 1.8 | | | | | | | | |
| I_e / DC-13 (according to IEC 947-5-1) | 24 V - d.c. | A | 2.8 | | | | | | | | |
| | 125 V - d.c. | A | 0.55 | | | | | | | | |
| | 250 V - d.c. | A | 0.27 | | | | | | | | |
| Switching frequency | | Cycles/h | 3600 | | | | | | | | |
| Load factor | | | 0.5 | | | | | | | | |
| Resistance between contacts | | mΩ | < 25 | | | | | | | | |
| Connecting terminals | | M3.5 (+, -) pozidriv 2 screw with cable clamp (M3 for 3 poles contacts type) | | | | | | | | | |
| Terminal for protective conductor | | M3.5 (+, -) pozidriv 2 screw with cable clamp | | | | | | | | | |
| Connecting capacity | | 1 or 2 x mm ² | 0.75 ... 2.5 (0.34... 1.5 for 3 poles contacts type) | | | | | | | | |
| Terminal marking | | According to EN 50 013 | | | | | | | | | |
| Mechanical durability | | Millions of operations | <table border="0"> <tr> <td>15</td> <td rowspan="3">} AM•F/T</td> <td rowspan="3">{</td> <td>11...12; 21; 30...34; 38</td> </tr> <tr> <td>10</td> <td>41...46; 51...55; 61...75</td> </tr> <tr> <td>>5</td> <td>14; 35; 36; 39; 91...93; 98</td> </tr> </table> | 15 | } AM•F/T | { | 11...12; 21; 30...34; 38 | 10 | 41...46; 51...55; 61...75 | >5 | 14; 35; 36; 39; 91...93; 98 |
| 15 | } AM•F/T | { | 11...12; 21; 30...34; 38 | | | | | | | | |
| 10 | | | 41...46; 51...55; 61...75 | | | | | | | | |
| >5 | | | 14; 35; 36; 39; 91...93; 98 | | | | | | | | |

** AM•F/T52 - 5200 - 55 - 5500 - 73 - 74: PROTECTION DEGREE IP65. - For the complete list of approved products contact our technical department.

IMQ listed values