

FEATURES

- Robust and economical encoder with small dimensions
- Protection to IP67, shaft sealed to IP65

RS PRO Rotary Encoders

RS Stock No.: 2061280



RS Professionally Approved Products bring to you professional quality parts across all product categories. Our product range has been tested by engineers and provides a comparable quality to the leading brands without paying a premium price.

Product Description

Incremental encoders are used to easily measure speed, position, angles or length. The possible application ranges are lifts, cranes, cleaning machines, road marking, wind energy and much more. There they are used e.g. to optimize the process or to assure quality. But although easy applications with just a Display connected to do some measurements are possible.

General Specifications

Encoder Technology	incremental quadrature, optical
Pulses Per Revolution	360ppr
Connection Type	cable
Mounting Type	Round Flange

Electrical Specifications

Supply Voltage	4.75 - 5.5 VDC
Current Rating	typ. 70 mA
Output Signal Type	TTL, RS422 comp., inverted
Switching Frequency	max. 200 kHz
Channels	ABN
Load	Max. 40 mA / channel
Signal level mA	at 20 mA
Signal level H>	H > 2.5 VDC
Signal level L<	L < 0.5 VDC
Circuit Protection	No
Reverse Polarity Protection	No
Short-Circuit Proof	No
Phase Shift	90° ± max. phase error 7,5% of a period duration
Duty Cycle	≤5000 PPR: 50 % max. ±7 %
Reference Signal	Zero pulse, width 90° ±7,5% of a period duration

Mechanical Specifications

Overall Height	64 mm
Overall Width	40 mm
Overall Depth	50 mm
Dimensions	64 x 40 x 50
Weight	approx. 100 g
Bearing Type	2 Precision Ball Bearings

Housing	
Flange	Round Flange
Flange Diameter	40 mm
Flange Material	Aluminium
Housing Cap	Aluminium, Powder Coated
Maximum Operating Speed	12000rpm

Shafts	
Shaft Type	Ø6 x 12 mm Shaft, flattened shaft
Material	Stainless Steel
Diameter	6 mm
Length	12 mm
Starting Torque	Approx. 2.2 Ncm at Ambient Temperature
Max. Permissible Shaft Loading Radial	80N
Max. Permissible Shaft Loading Axial	50N

Operation Environment Specifications

Maximum Operating Temperature	+80°C
Minimum Operating Temperature	-20°C
Storage Temperature Range	-30°C to +80°C
Vibration	50m/s ² (10-2000 Hz)
Shock	1000m/s ² (6 ms)

Protection Category

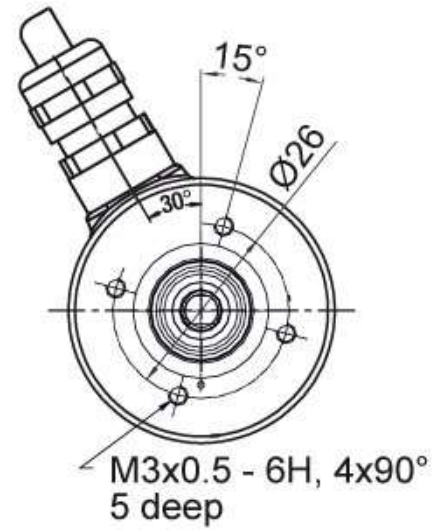
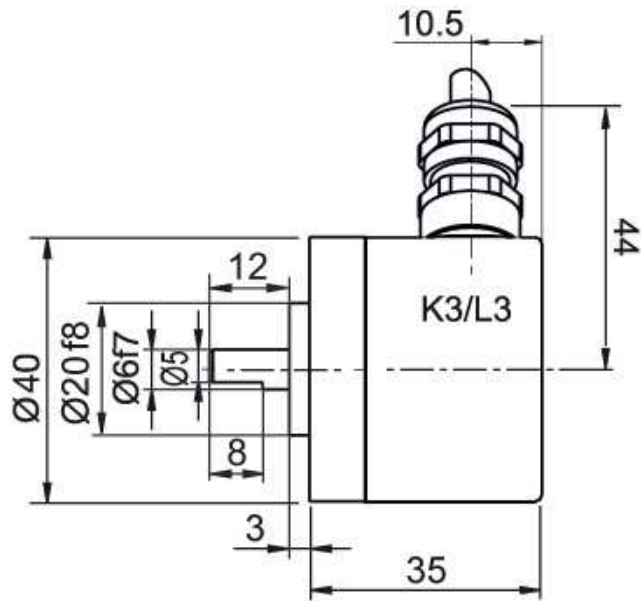
IP Rating	IP65
------------------	------

Classification

eCl@ss 11.1	27270501
UNSPSC 22.0601	39121527

Approvals

Compliance/Certifications	CE / DIN EN 61000-4-2 / DIN EN 61000-4-4
Declarations	



Assignments

GND	WH
(+) Vcc	BN
A	GN
B	YE
N	GY
A inv.	RD
B inv.	BK
N inv.	VT
Shield	flex

